

THIS DRAWING IS UNPUBLISHED.

RELEASED FOR PUBLICATION

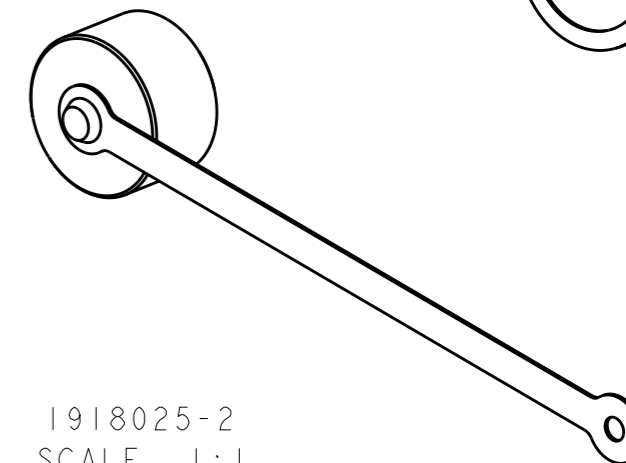
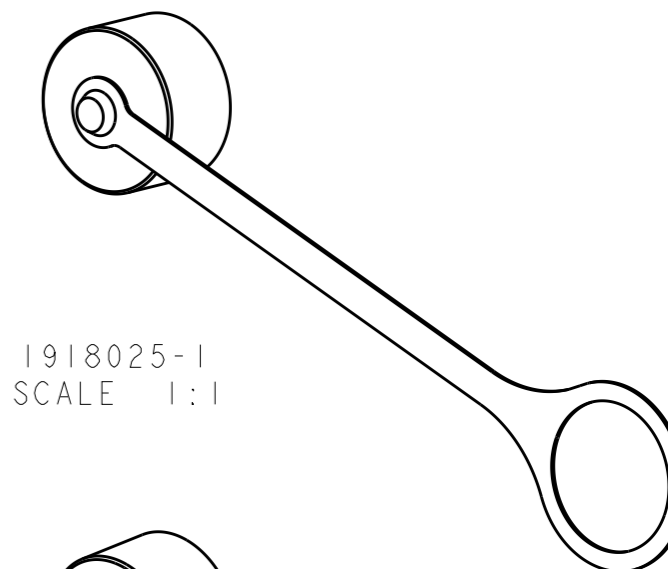
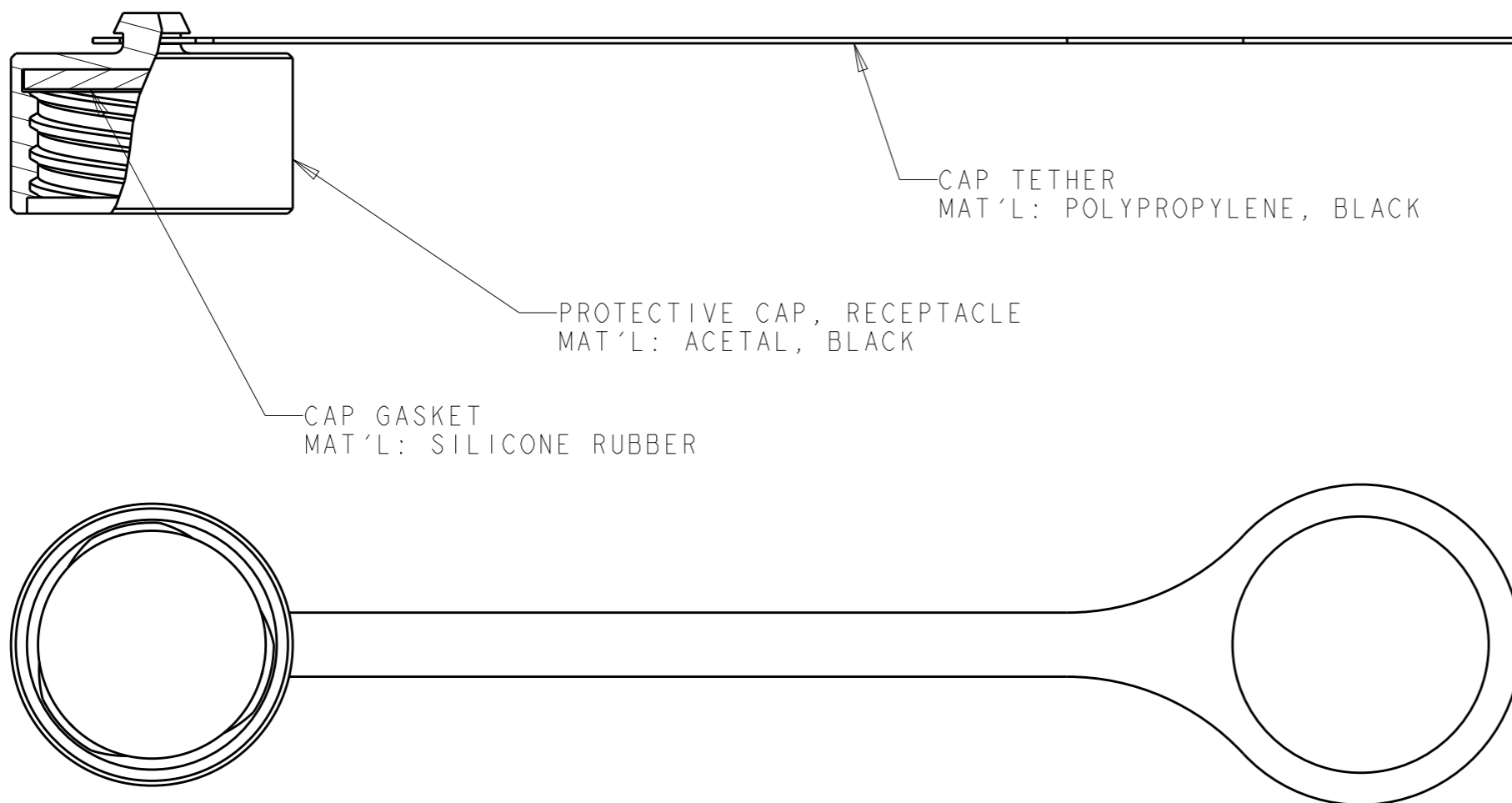
20

© COPYRIGHT 20 BY -

ALL RIGHTS RESERVED.

REVISIONS

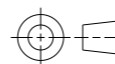
P	LTR	DESCRIPTION	DATE	DWN	APVD
	B1	ECR-17-010543	25JUL2017	KG	DW



JAM NUT, SIZE 13	1918025-5
FLANGE MOUNT, SIZE 15	1918025-4
JAM NUT, SIZE 15	1918025-3
FLANGE MOUNT, SIZE 11	1918025-2
JAM NUT, SIZE 11	1918025-1
RECEPTACLE APPLICATION	PART NUMBER

THIS DRAWING IS A CONTROLLED DOCUMENT.

DIMENSIONS:
mm



MATERIAL
AS LISTED

TOLERANCES UNLESS OTHERWISE SPECIFIED:

0 PLC	±-
1 PLC	±-
2 PLC	±-
3 PLC	±-
4 PLC	±-
ANGLES	±-

FINISH

DWN 01NOV2005

K. GLATFELTER

CHK 08NOV2005

D. WERTMAN

APVD 08NOV2005

D. WERTMAN

PRODUCT SPEC

APPLICATION SPEC

WEIGHT

CUSTOMER DRAWING



TE Connectivity

NAME
PROTECTIVE COVER, RECEPTACLE,
STYLE 38999

SIZE	CAGE CODE	DRAWING NO	RESTRICTED TO
A3	00779	C-1918025	-

SCALE 2:1

SHEET 1 OF 1 REV B1