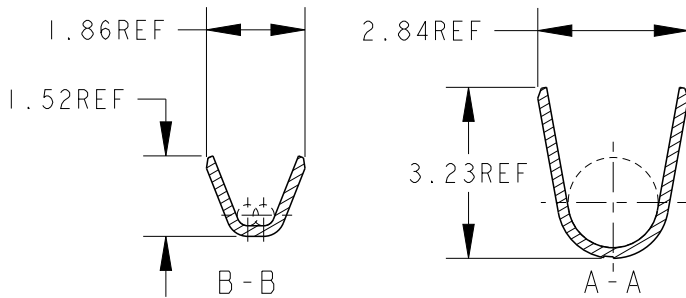
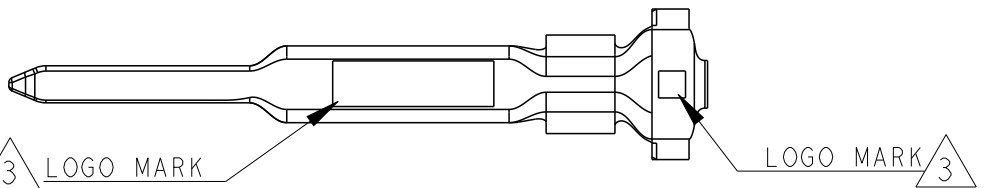
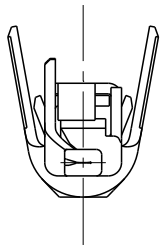
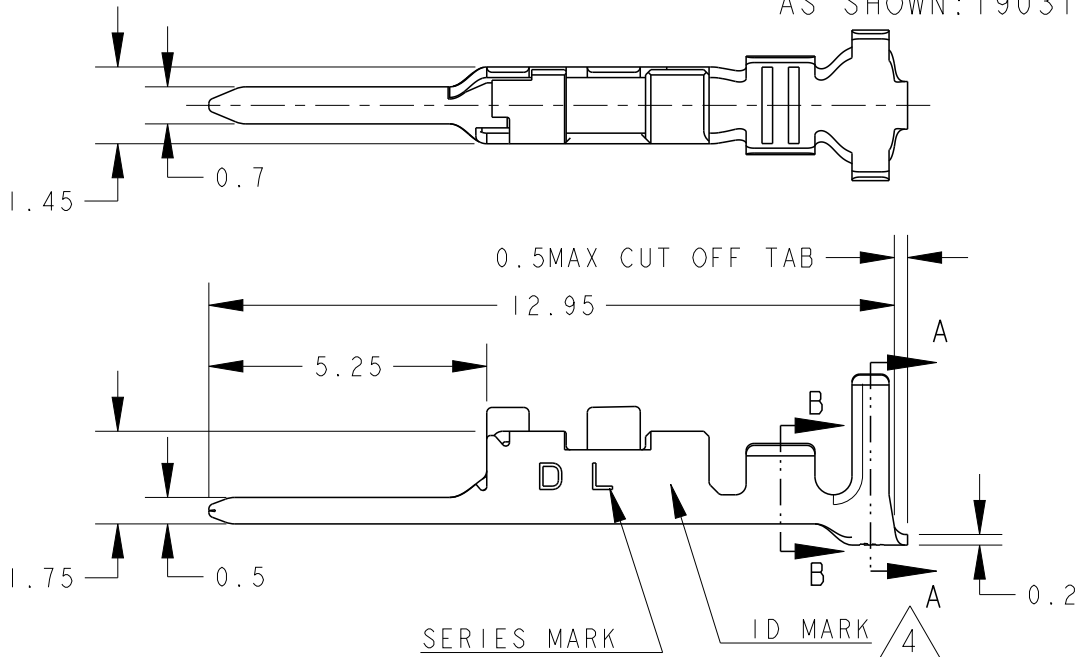


REVISIONS					
P	LTR	DESCRIPTION	DATE	DWN	APVD
	C	REVISED PER ECR-19-016494	24OCT2019	F.Z	R.B
	D	REVISED PER ECR-22-142637	16JUN2022	RI	TS

AS SHOWN: 1903117-2



1. APPLICATION TAB-HSG IS APPLIED TO THE PRODUCT OF 2.5mm PITCH OR MORE OF DYNAMIC D1000 SERIES. 2.0mm PITCH CANNOT BE USED.
2. THE SHAPE, SIZE AND POSITION OF THE CHARACTER SHOW THE OUTLINE. THEY DON'T SHOW DETAILS.
3. ALTERNATIVE LOGO MARK FOR DIFFERENT DIE.
4. ALTERNATIVE ID MARK, WITH "■" OR NO MARK.

© 2019 TE Connectivity. All Rights Reserved.

DL 4	MATERIAL: COPPER ALLOY FINISH: CONTACT AREA Au 0.2umMIN, OVER Ni 1.27umMIN	1903117-4
DL	MATERIAL: COPPER ALLOY FINISH: CONTACT AREA Au 0.38umMIN, OVER Ni 1.27umMIN	1903117-2
SERIES MARK	MATERIAL	PART NO

DIMENSIONS: mm

TOLERANCES UNLESS OTHERWISE SPECIFIED:
± 0.3, ± 3°

0 PLC	±
1 PLC	±
2 PLC	±
3 PLC	±
4 PLC	±
ANGLES	±

DWN M. MAEBASHI	11 APR 2006
CHK T. KUDO	11 APR 2006
APVD D. MITSUGI	11 APR 2006
PRODUCT SPEC	108-78268
APPLICATION SPEC	114-5377
WEIGHT	0.076 g

WIRE RANGE	AWG#28~#22 0.08~0.38 mm ²	INSULATION DIA	Ø1.08~Ø1.9
MATERIAL	SEE TABLE	FINISH	SEE TABLE
TE TE Connectivity			
NAME DYNAMIC D1000 SERIES TAB CONTACT Au, L-TYPE L/P			
SIZE	CAGE CODE	DRAWING NO	RESTRICTED TO
A4	00779	C-1903117	

CUSTOMER DRAWING	SCALE 7:1	SHEET 1 OF 1	REV D
------------------	-----------	--------------	-------