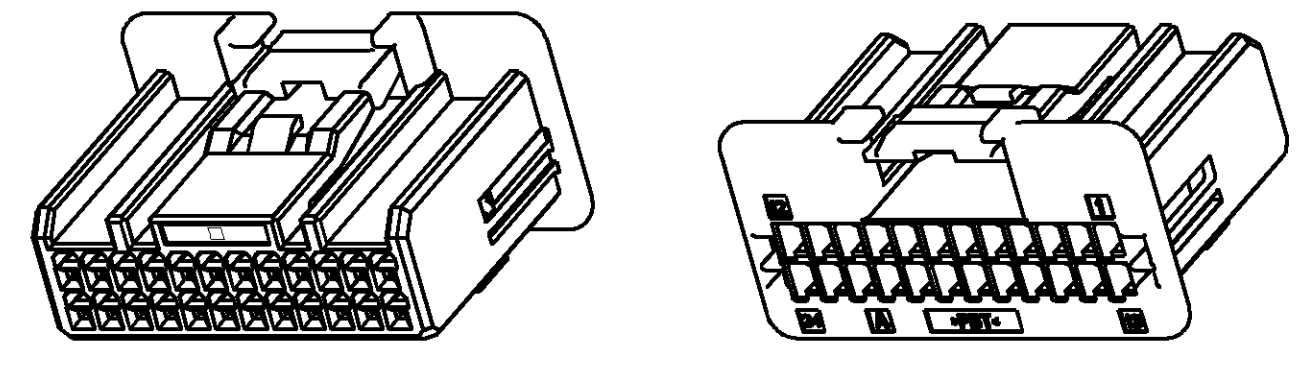
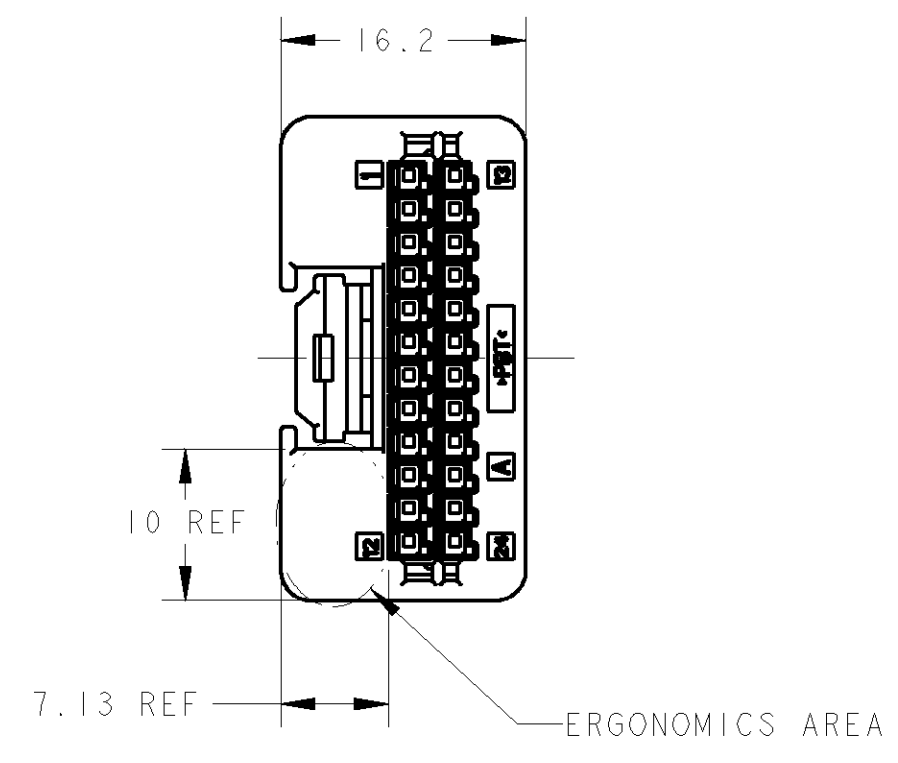
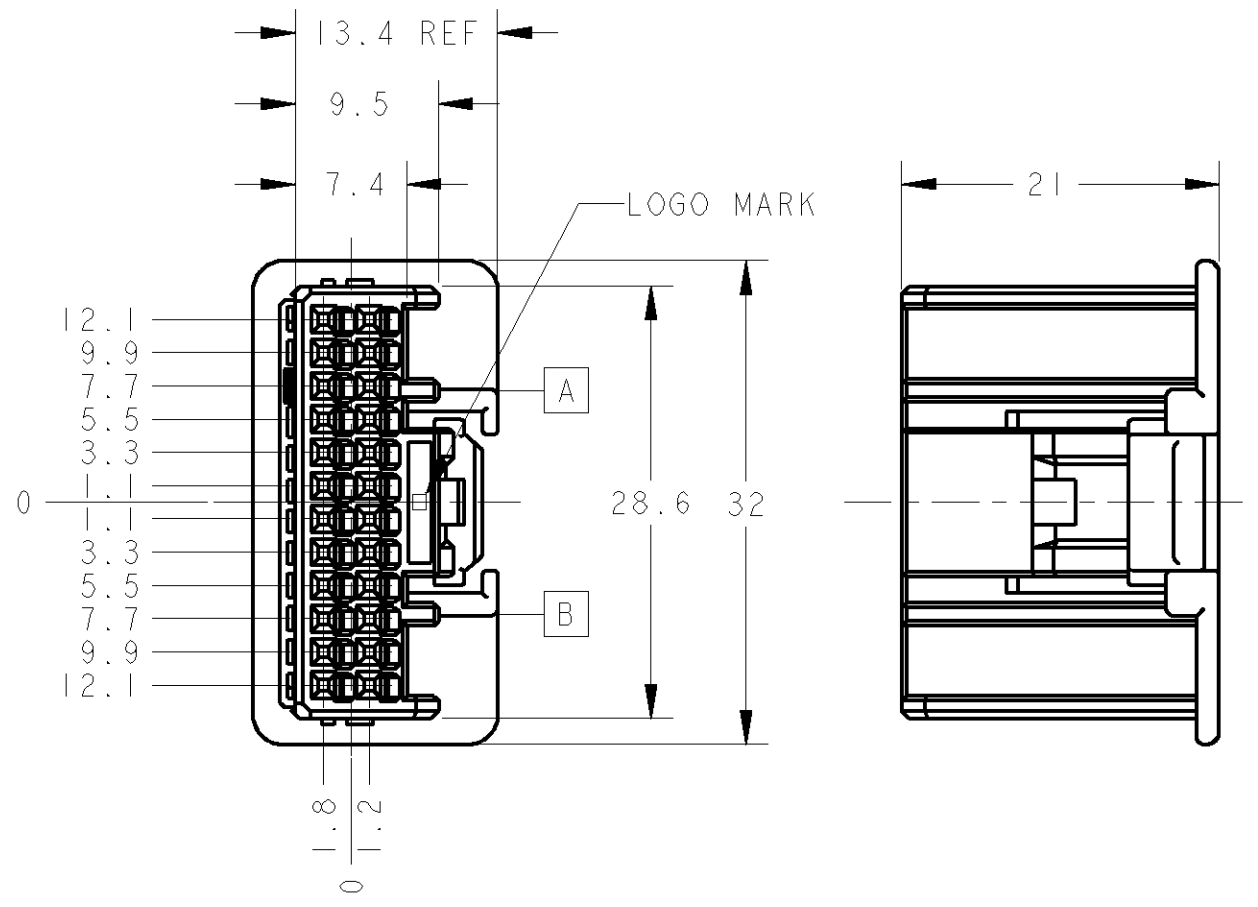


THIS DRAWING IS UNPUBLISHED. RELEASED FOR PUBLICATION
 © COPYRIGHT 20 BY TYCO ELECTRONICS CORPORATION. ALL RIGHTS RESERVED.

LOC	DIST	REVISIONS					
J	-	REV	DESCRIPTION	ECN	DATE	DWN	APVD
		A	RELEASED		25FEB08	SS	YN
		B	REVISED	ECR-09-003243	12MAR09	YT	YF
		C	REVISED	ECR-10-008378	28APR10	TS	KB



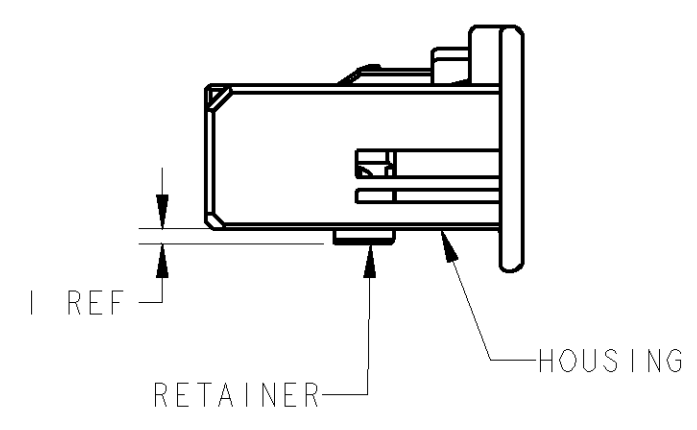
SCALE 2:1

1. RETAINER IS SET TO THE PRE-ASSEMBLY POSITION WITHIN THE PLUG HOUSING.

2. APPLIED TERMINALS : SEE TABLE 1

1. プラグハウジングのリテーナを仮係止して出荷される。

2. 適用端子 : TABLE 1 参照



2. TABLE 1

	TERMINAL NO. 端子型番	PLATING メッキ	MATE CAP ASSEMBLY PART NO. 嵌合相手キャップアッセンブリ 型番	APPLICABLE WIRE RANGE 適用電線
0.64111	1674311-1	TIN	1318853	AVSS/CAVS/CAVUS/AVSSH-F 0.3~0.5mm ²

	A: 7.4	B: 7.4	A: 7.4	B: 8.7	A: 8.7	B: 7.4
	1318853-2		2-1318853-2		2-1318853-3	
	MATED CAP HOUSING PART NO. 嵌合相手キャップハウジング型番					
PART NO. 製品型番	1903028-5 COLOR: NATURAL (WHITE)		1903028-6 COLOR: LIGHT GRAY		1903028-7 COLOR: BLUE	

THIS DRAWING IS A CONTROLLED DOCUMENT FOR TYCO ELECTRONICS CORPORATION IT IS SUBJECT TO CHANGE AND THE CONTROLLING ENGINEERING ORGANIZATION SHOULD BE CONTACTED FOR THE LATEST REVISION.		DWN 22FEB2008 S. SAKAGUCHI CHK 25FEB2008 Y. NOGUCHI APVD 25FEB2008 Y. FUJIWARA	Tyco Electronics Corporation Kawasaki, Japan
DIMENSIONS: 単位: 概 (mm)	TOLERANCES UNLESS OTHERWISE SPECIFIED: 一般公差 ±0.3 0-PLC ±0.1 1-PLC ±0.1 2-PLC ±0.01 3-PLC ±0.001 4-PLC ±0.0001 ANGLES ±1°00' FINISH 仕上	PRODUCT SPEC 108-78367 APPLICATION SPEC 114-5329 WEIGHT 4.5 g	NAME 名称 PLUG HOUSING ASSEMBLY 24POSITION 0.64111 (ERGONOMICS TYPE)
MATERIAL 材料	PBT	CUSTOMER DRAWING	SIZE A2 CAGE CODE - DRAWING NO. 番号 G-1903028 RESTRICTED TO SCALE 2:1 SHEET 1 OF 1 REV C