

4

3

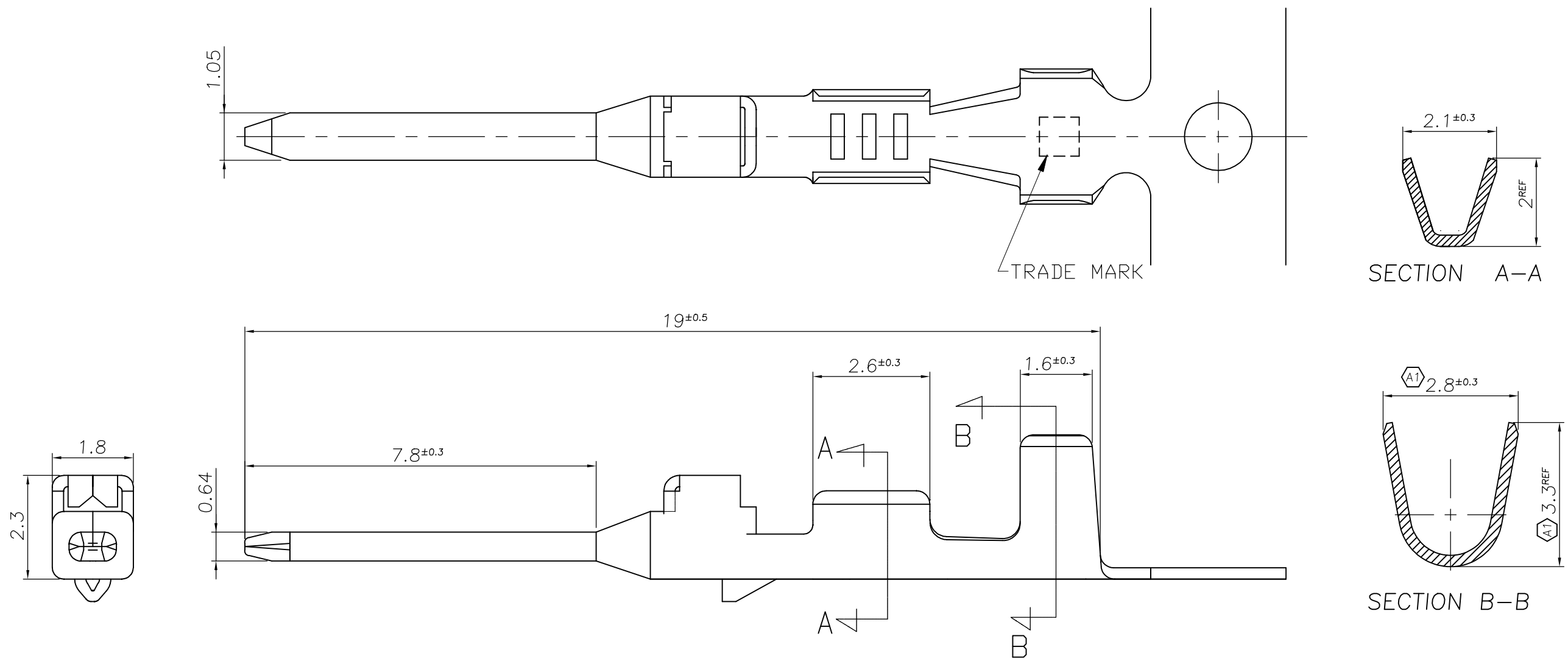
2

1


THIS DRAWING IS UNPUBLISHED. RELEASED FOR PUBLICATION

© COPYRIGHT BY TYCO ELECTRONICS CORPORATION, ALL RIGHTS RESERVED.

LOC	DIST	REVISIONS			
P	LTR	DESCRIPTION	DATE	DWN	APVD
-	-				
	A1	REVISED (ECR-18-009730)	22.JUN.18	KT	YJ



- NOTE
- MATING RECEPTACLE NUMBER: 173681
  - MATING CAP ASSY 1897695 ONLY

PRE-TINNED		BRASS		1897724-1	
FINISH		MATERIAL		PART NUMBER	
<small>THIS DRAWING IS A CONTROLLED DOCUMENT FOR TYCO ELECTRONICS CORPORATION IT IS SUBJECT TO CHANGE AND THE CONTROLLING ENGINEERING ORGANIZATION SHOULD BE CONTACTED FOR THE LATEST REVISION.</small>		DWN IS SHIN CHK YM CHOI APVD HG CHD PRODUCT SPEC - APPLICATION SPEC - WEIGHT -		 TE Connectivity NAME .040 SERIES TAB CONTACT	
DIMENSIONS: MM	TOLERANCES UNLESS OTHERWISE SPECIFIED: 0 <XX<10 ± 0.2 10<XX<30 ± 0.25 ANGLES ± 3°	SIZE	CAGE CODE	DRAWING NO	RESTRICTED TO
MATERIAL SEE TABLE	FINISH SEE TABLE	A3	00779	C-1897724	-
CUSTOMER DRAWING				SCALE 10/1	SHEET 1 OF 1 REV A1