

4

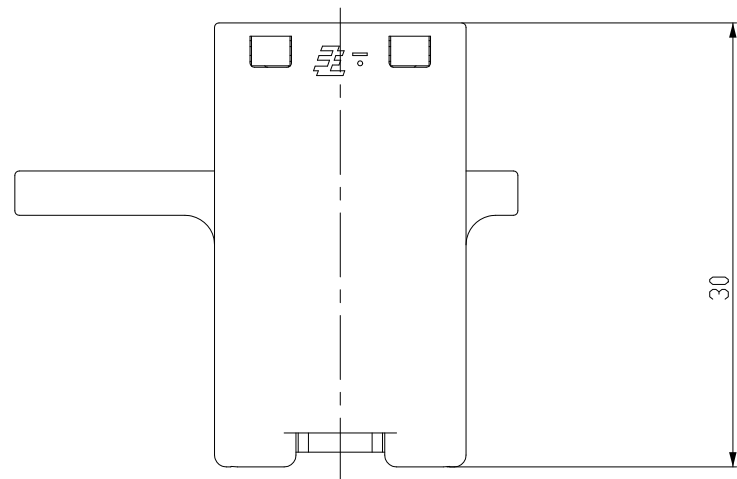
3

2

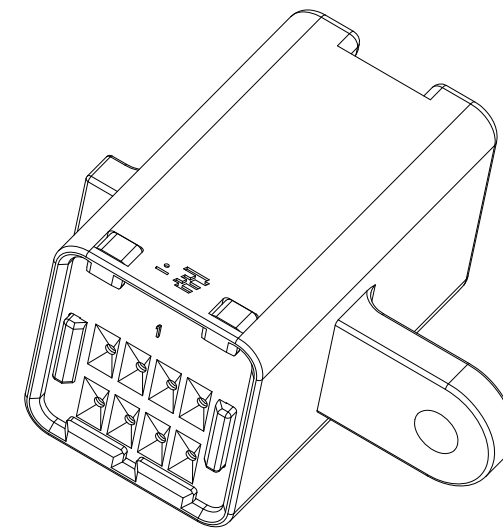
1

THIS DRAWING IS UNPUBLISHED. RELEASED FOR PUBLICATION 20
© COPYRIGHT 20 BY TYCO ELECTRONICS CORPORATION. ALL RIGHTS RESERVED.

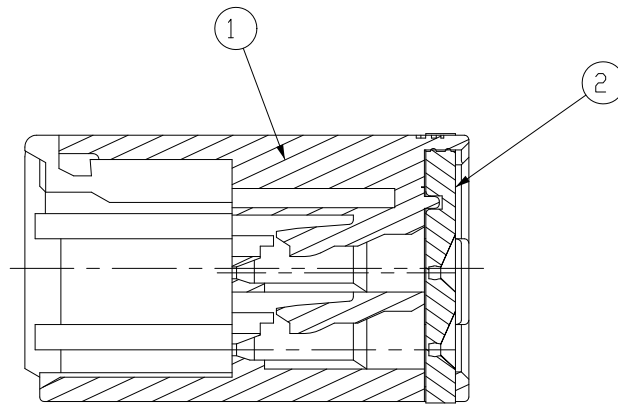
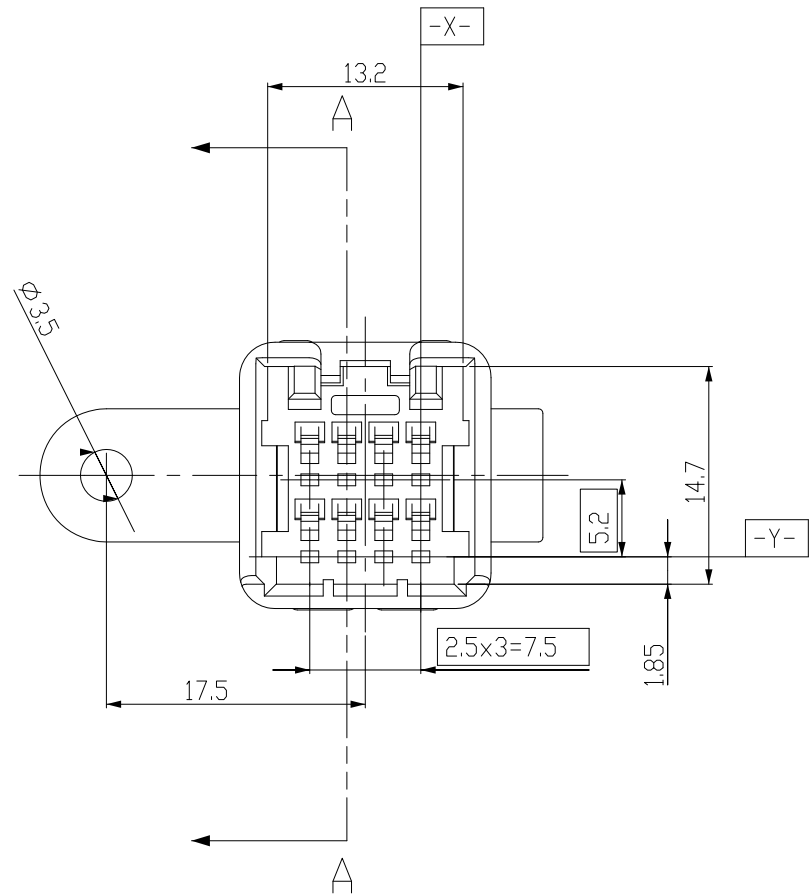
LOC	DIST	REVISIONS			
P	LTR	DESCRIPTION	DATE	DWN	APVD
DS	-	A	RELEASED	07AUG08	IS HG



SHAPE OF CONVERSION TYPE	
0-1897695-2 (BLACK)	1-1897695-3 (GRAY)



ISO VIEW



SECTION A-A

NOTE
 1.GENERAL TOLERANCE: ±0.3 ±3°
 2.APPLICABLE TML P/N: 0-1897724-1 ONLY

NO	COLOR	MATERIAL	DESCRIPTION	P/N	Q'TY	ASSY P/N
2	ORANGE	SILICONE	FAMILY SEAL	0-2005887-1	1	1
1	GRAY	PBT	.040 8P CAP HSG	1-1897696-3	-	1
1	BLACK	PBT	.040 8P CAP HSG	0-1897696-2	1	-

THIS DRAWING IS A CONTROLLED DOCUMENT FOR TYCO ELECTRONICS CORPORATION
 IT IS SUBJECT TO CHANGE AND THE CONTROLLING ENGINEERING ORGANIZATION
 SHOULD BE CONTACTED FOR THE LATEST REVISION.

DIMENSIONS: mm	TOLERANCES UNLESS OTHERWISE SPECIFIED:
	0 PLC ±
	1 PLC ±
	2 PLC ±
	3 PLC ±
	4 PLC ±
	ANGLES ±
MATERIAL SEE TABLE	FINISH -

DWN IS SHIN	Tyco Electronics Kyungsan Koreaaa	
CHK YM CHOI	NAME .040 8PIN CAP ASSEMBLY FAMILY SEAL TYPE	
APVD HG CHO	SIZE A3	CAGE CODE 00779
PRODUCT SPEC -	DRAWING NO C-1897695	RESTRICTED TO -
APPLICATION SPEC -	SCALE 2:1	SHEET 1 OF 1
WEIGHT -	CUSTOMER DRAWING	REV A