

LOC	DIST	REVISIONS			
P	LTR	DESCRIPTION	DATE	DWN	APVD
DS	-	A	RELEASE	29.AUG.'08	GC JK
		B	REVISED<ECR-08-024837>	02.OCT.'08	GC JK

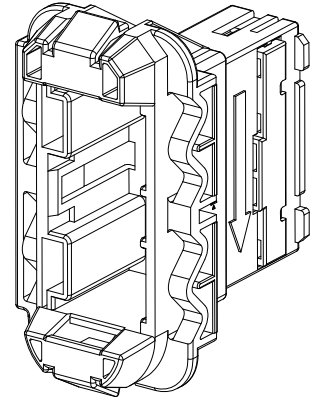
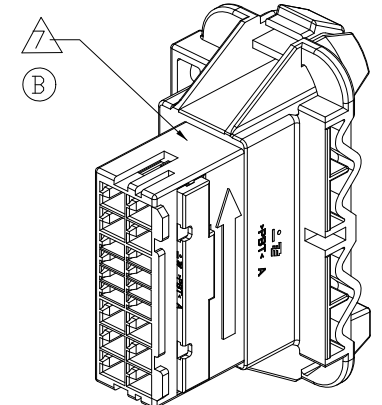
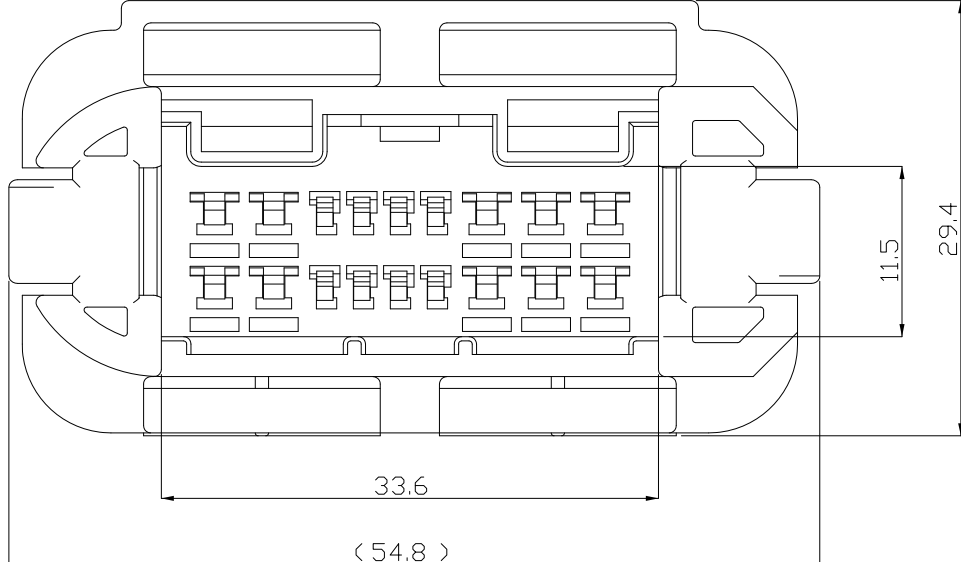
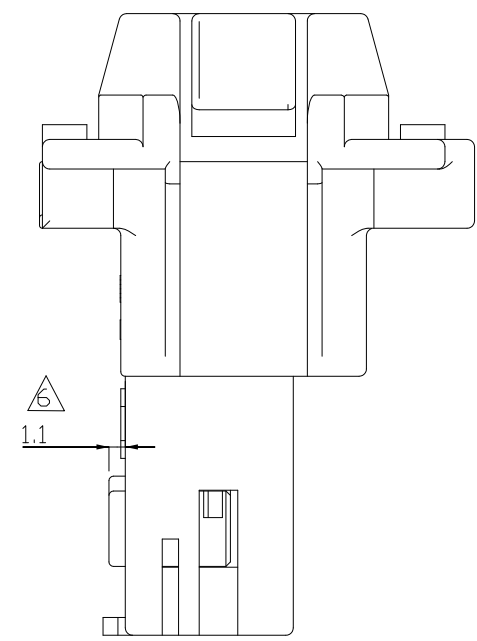
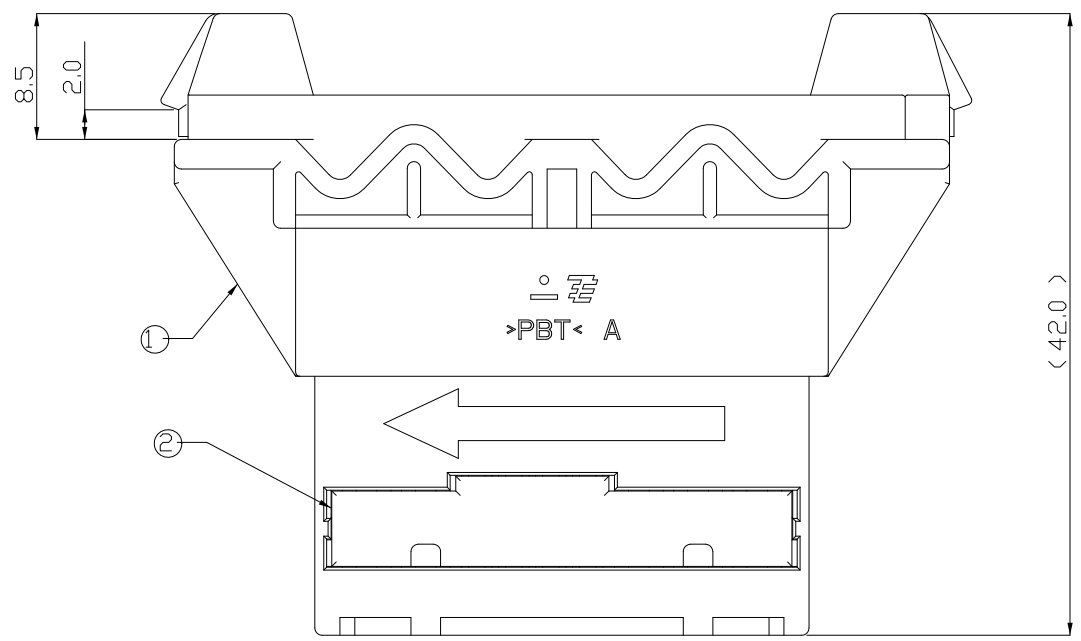


TABLE 1. APPLICABLE TAB CONTACT.

TAB	PART NO.	WIRE RANGE		WIRE TYPE
		AWG	mm ²	
040	353537-1	22-20	0.3-0.5	AVSS
090	368088-1	22-20	0.3-0.5	
	368087-1	18-16	0.85-1.25	
	368086-1	14	2.0	

NOTE ;

- GENERAL TOLERANCE : ±0.3, ±3.0°
- APPLICABLE PANEL SIZE : SEE FIG. 1
- APPLICABLE PANEL THICKNESS : 1.6 mm
- APPLICABLE TAB CONTACT : SEE TABLE 1.
- THE MATING PLUG ASS'Y P/N : 1897502
- DBL SUPPLY CONDITION : 1ST LOCKING.
- ADD PEN MARKING FOR DIRECTION OF UPPER AND LOWER.



NO.	PART NO.	DESCRIPTION	MATERIAL	COLOR	Q'TY
2	1897501-1	CAP DBL	PBT	WHITE	1
1	1897500-1	CAP HSG	PBT	WHITE	1

ASS'Y P/N	DESCRIPTION	REMARK
1897499-1	CAP ASS'Y	

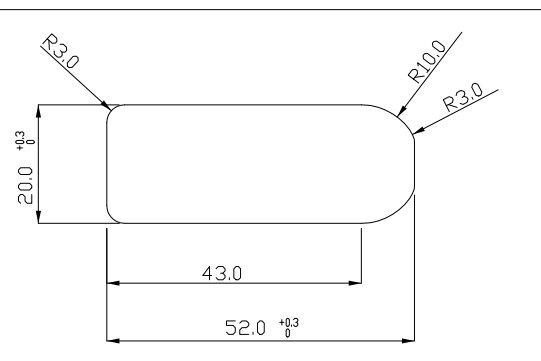


FIG. 1 APPLICATION PANEL SIZE

THIS DRAWING IS A CONTROLLED DOCUMENT FOR TYCO ELECTRONICS CORPORATION
 IT IS SUBJECT TO CHANGE AND THE CONTROLLING ENGINEERING ORGANIZATION
 SHOULD BE CONTACTED FOR THE LATEST REVISION.

DWN GC KWON 02OCT2008
 CHK KT LIM
 APVD JK SONG
 PRODUCT SPEC
 APPLICATION SPEC
 WEIGHT -

Tyco Electronics AMP KOREA
 kyungsan korea

NAME
 CAP HSG ASS'Y
 FOR HYB<040/090> REAR DOOR 18P

SIZE A3 CAGE CODE 00779 DRAWING NO C-1897499 RESTRICTED TO -

CUSTOMER DRAWING SCALE 1:1 SHEET 1 OF 1 REV B