

THIS DRAWING IS UNPUBLISHED.

RELEASED FOR PUBLICATION

20

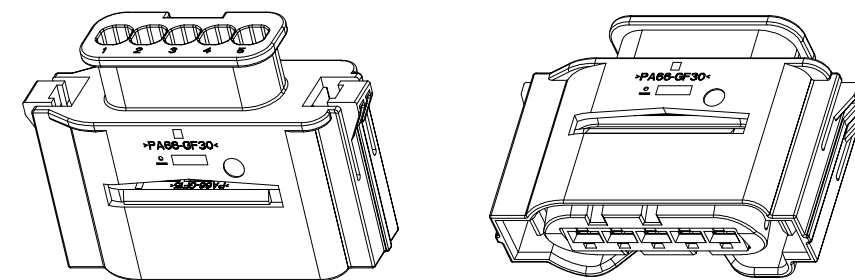
© COPYRIGHT 20 BY -

ALL RIGHTS RESERVED.

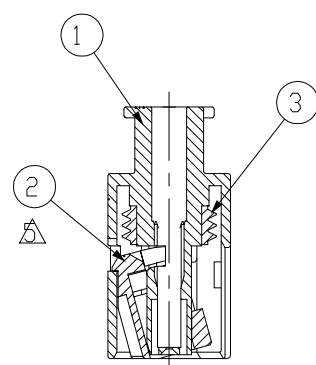
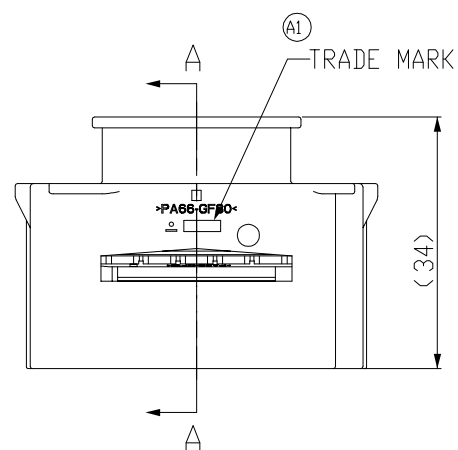
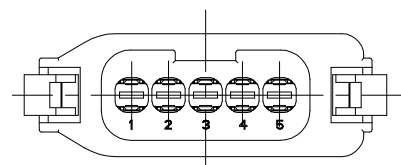
DS

REVISIONS

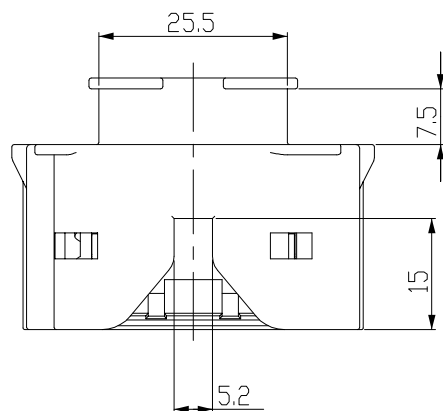
P	LTR	DESCRIPTION	DATE	DWN	APVD
	A1	REVISED (ECR-15-018313)	28.DEC.15	SJ	HG



ISOMETRIC VIEW



SECTION A-A



< TABLE 1 >

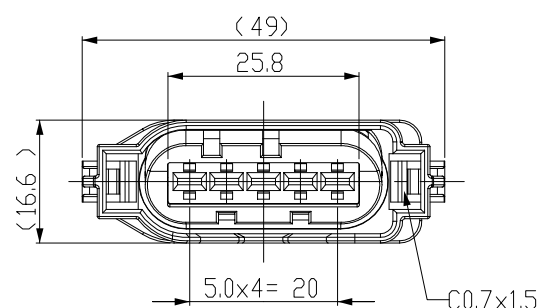
PART NO.	WIRE SIZE(mm) ²	INSULATION DIA.(mm)	MATERIAL	FINISH
0-0967542-1	0.5 - 1.0	1.2 - 2.1	CuNiSi	Pre-Tin
0-0967542-2			CuNiSi	Gold
0-0967543-1	1.0 - 2.5	2.2 - 3.0	CuNiSi	Pre-Tin
0-0967543-2			CuNiSi	Gold

< TABLE 2 >

WIRE SIZE(mm) ²	PART NO.	WIRE INSULATION DIAMETER(mm)	COLOR
0.5~1.0	828904-2	1.2~2.1	BLUE
1.5~2.5	828905-1	2.2~3.0	WHITE
	828922-1	CAVITY PLUG	NATURAL

NOTES ;
 1. APPLICABLE RECEPTACLE P/N : <TABLE 1>
 2. APPLICABLE WIRE SEAL P/N : <TABLE 2>
 3. APPLICABLE WIRE COVER P/N : 1897094-2
 4. GENERAL TOLERANCE : ±0.3mm, ±3°
 △ DBL IS PRE-LOCKING(DELIVERY POSITION)

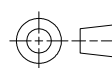
1897091-2
 ASSY P/N



NO.	COLOR	MATERIAL	DESCRIPTION	Q'TY
③	RED ORANGE	SILICONE	INNER SEAL	1
②	NATURAL	PA66-GF15	DBL	1
①	BLACK	PA66-GF30	MAIN PLUG	1

THIS DRAWING IS A CONTROLLED DOCUMENT.

DIMENSIONS: mm



TOLERANCES UNLESS OTHERWISE SPECIFIED:
 0 PLC ±
 1 PLC ±
 2 PLC ±
 3 PLC ±
 4 PLC ±
 ANGLES ±

MATERIAL

SEE TABLE

DWN
SJ CHOI
CHK
JW JUNG
APVD
HG CHO
PRODUCT SPEC

APPLICATION SPEC

WEIGHT

CUSTOMER DRAWING



NAME
 2.8MM FLAT SENSOR SEALED
 5P PLUG ASS'Y

SIZE CAGE CODE DRAWING NO RESTRICTED TO

A3 - C-1897091

SCALE 1:1 SHEET 1 OF 1 REV A1