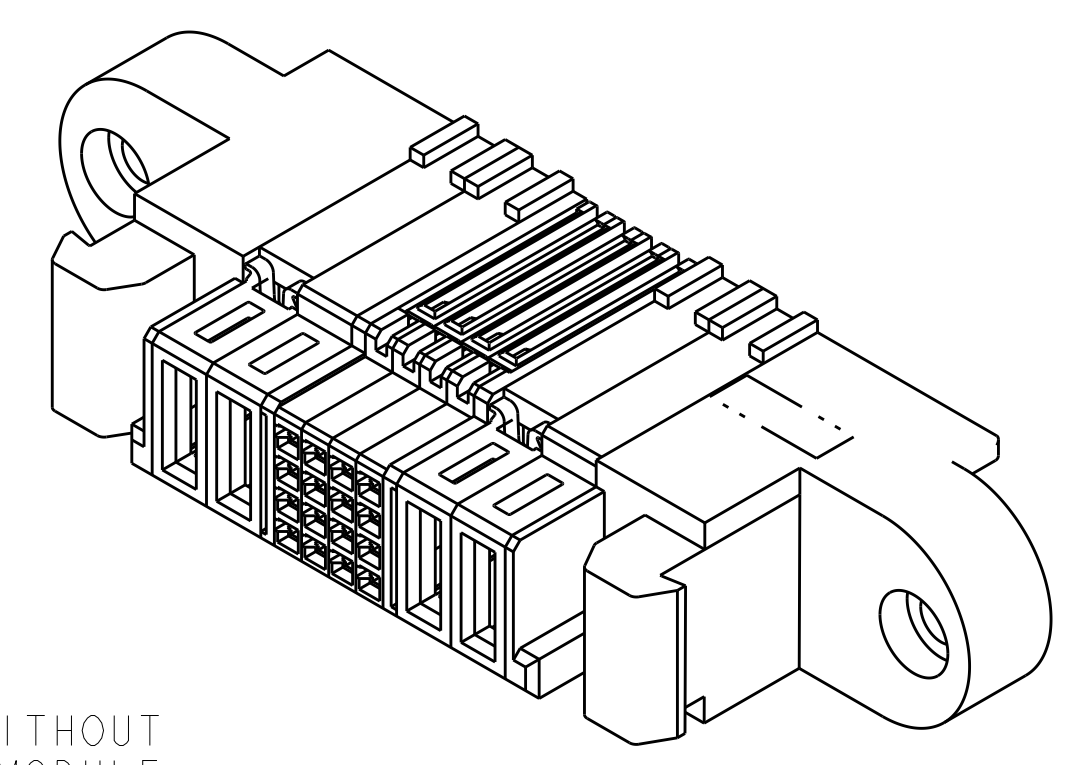
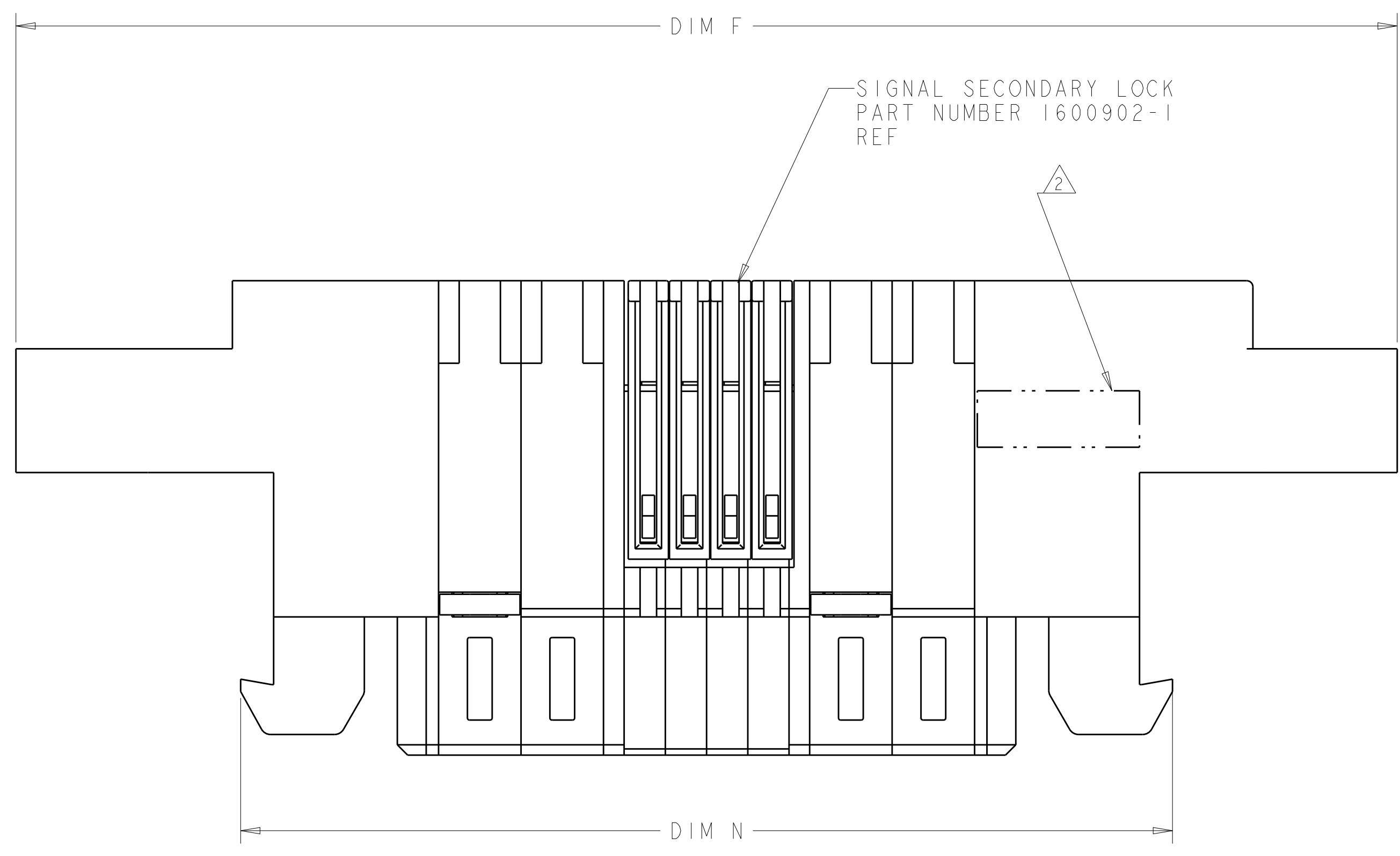
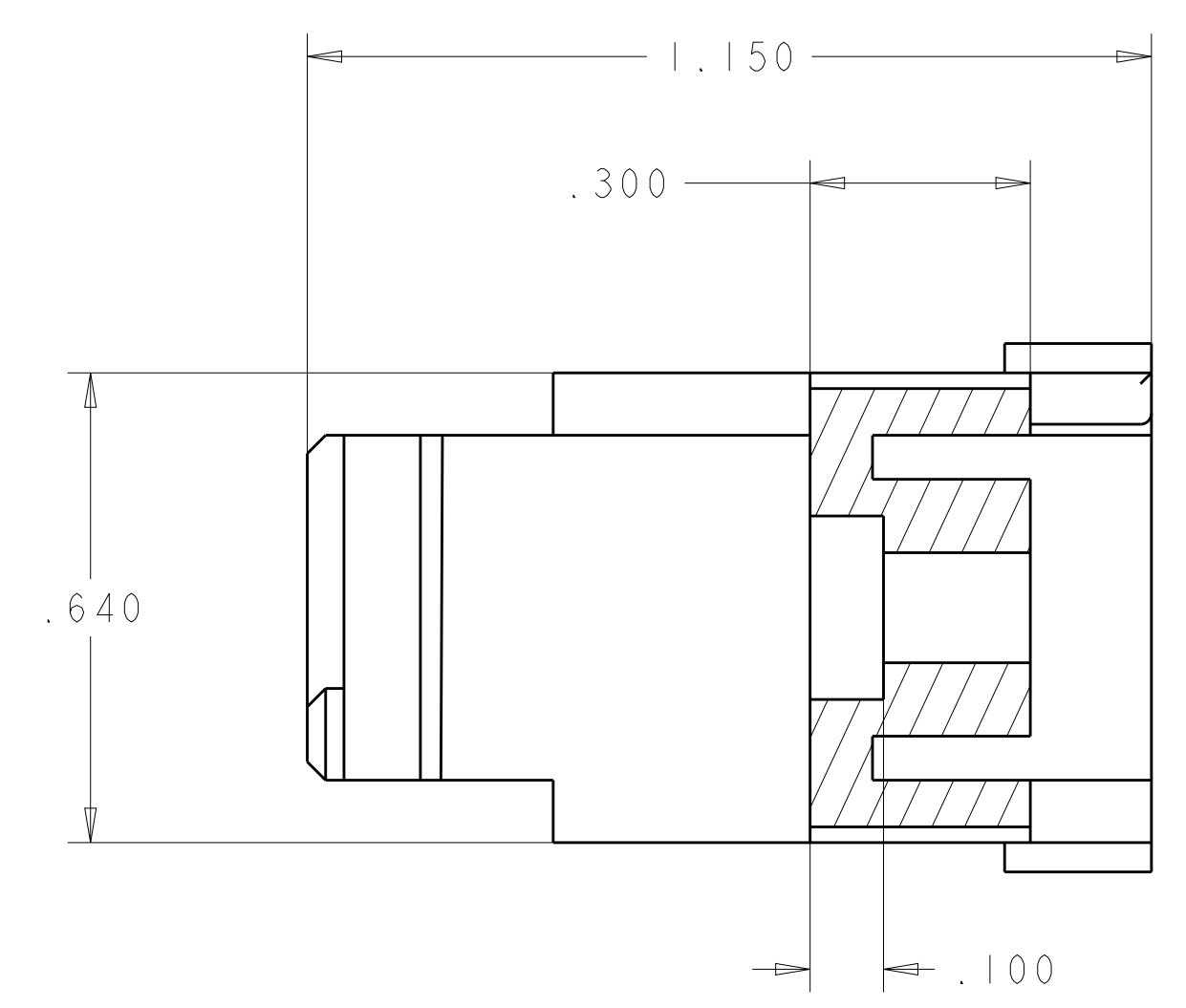
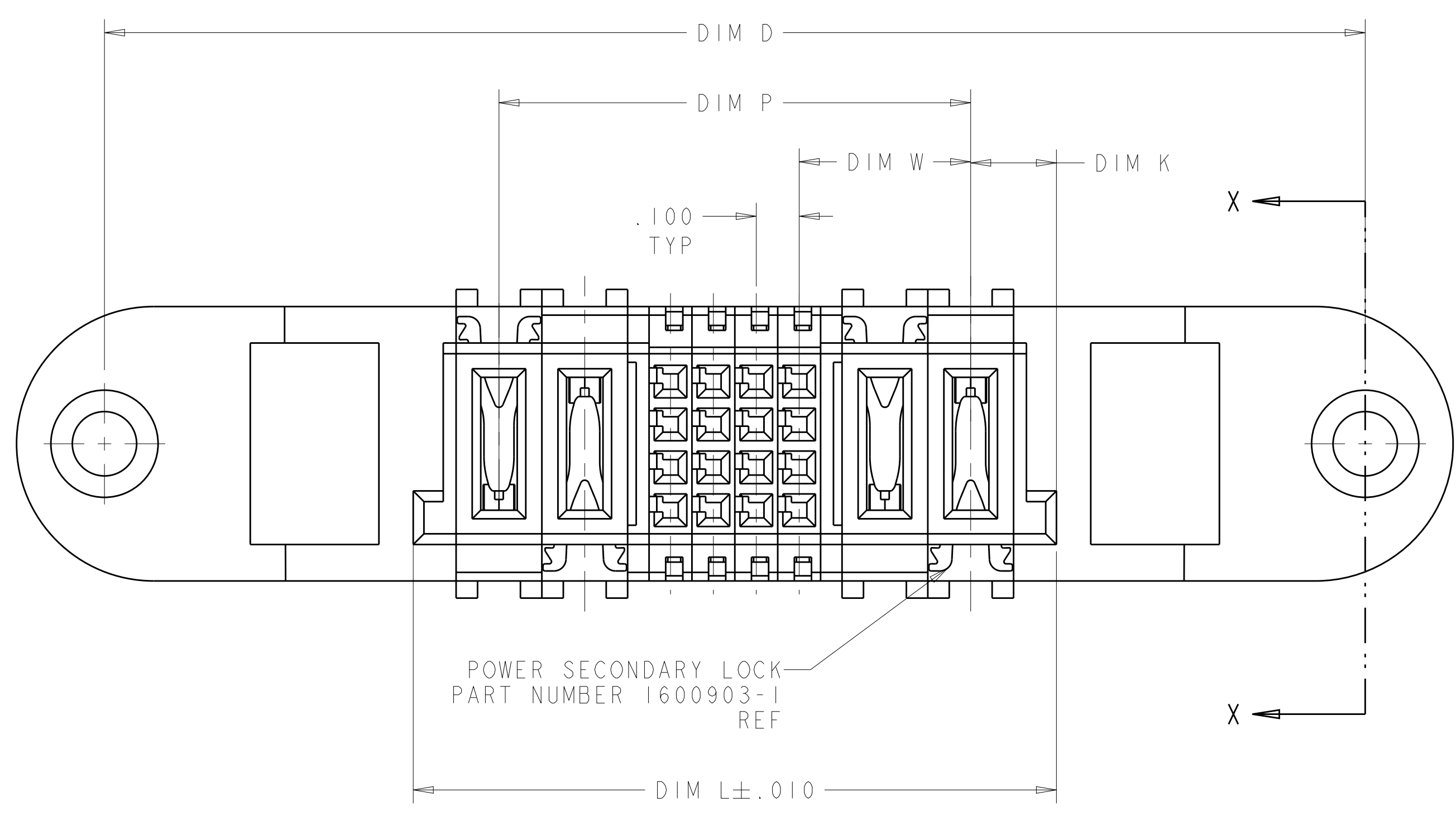


LOC	DIST	REVISIONS			
P	LTN	DESCRIPTION	DATE	DWN	APVD
1		PROPOSAL DESIGN	16OCT2012	CZ	SZ
2		REVISED	17OCT2012	CZ	SZ
3		REVISED FOR CONFIGURATION CHANGED	23OCT2012	CZ	SZ
4		REVISED	24OCT2012	CZ	SZ



ISOMETRIC VIEW WITHOUT  
OPTIONAL CENTER MODULE  
SCALE 2:1

# PROPOSAL DESIGN



SECTION X-X

.200 $\frac{9}{9}$	-	1.660	-	2.340	2.750	.900	24S	1892831-2
.200	.400	2.260	1.100	2.940	3.350	1.500	2P + 16S + 2P	1892831-1
DIM K	DIM W	DIM N	DIM P	DIM D	DIM F	DIM L	DESCRIPTION	PART NUMBER

THIS DRAWING IS A CONTROLLED DOCUMENT. DWG NO. 16OCT2012  
 CHK. C. ZHOU  
 S. ZHAO  
 APVD. -

DIMENSIONS: INCHES  
 TOLERANCES UNLESS OTHERWISE SPECIFIED:  
 0 PLC ±.  
 1 PLC ±.  
 2 PLC ±.  
 3 PLC ±.0050  
 4 PLC ±0.0020  
 ANGLES ±.7°

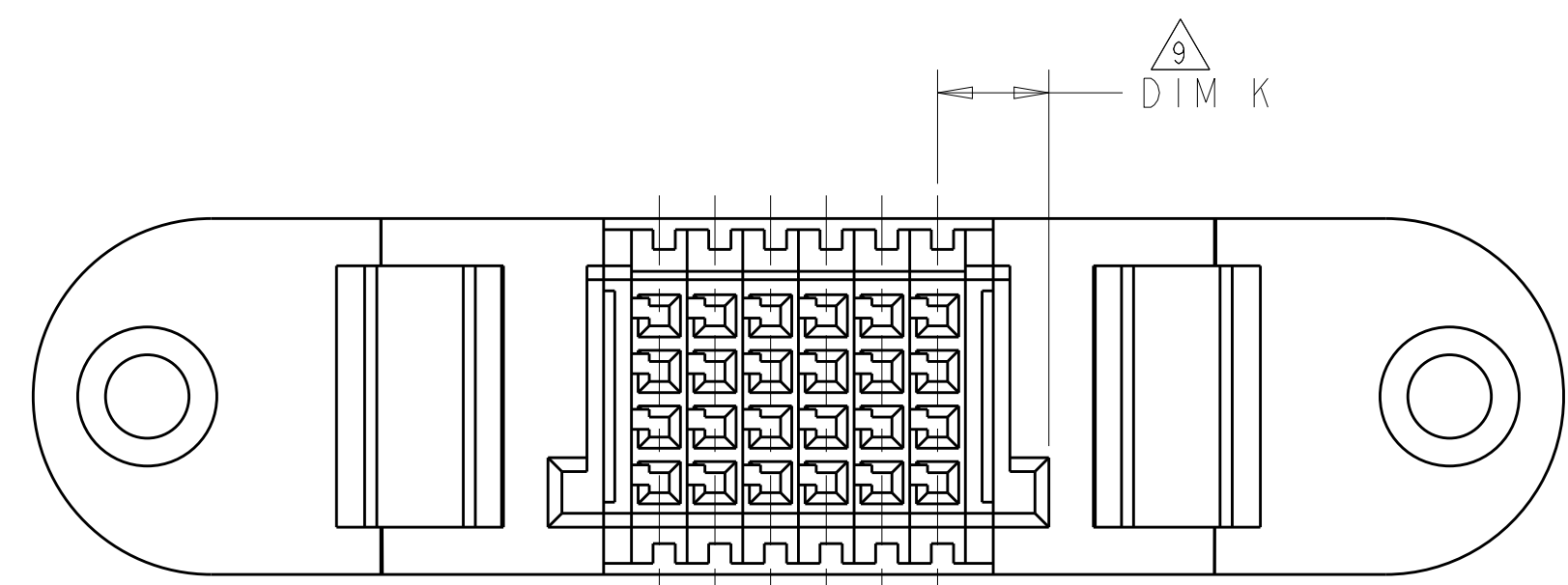
MATERIAL: 5

PRODUCT SPEC: -  
 APPLICATION SPEC: -  
 WEIGHT: -  
 CUSTOMER DRAWING

NAME: SQUEEZE TO RELEASE CABLE REC WITH MOUNTING HOLE MULTI-BEAM XLE  
 SIZE: A1  
 CAGE CODE: 100779  
 DRAWING NO: 1892831  
 RESTRICTED TO: -

SCALE: 2:1 SHEET 1 OF 3 REV 1

LOC	DIST	REVISIONS					
ES	00	P	LTN	DESCRIPTION	DATE	DWN	APVD
		-		SEE SHEET 1		-	-



PART NUMBER 1892831-2,  
 OTHER DIMS PLEASE SEE PAGE 1

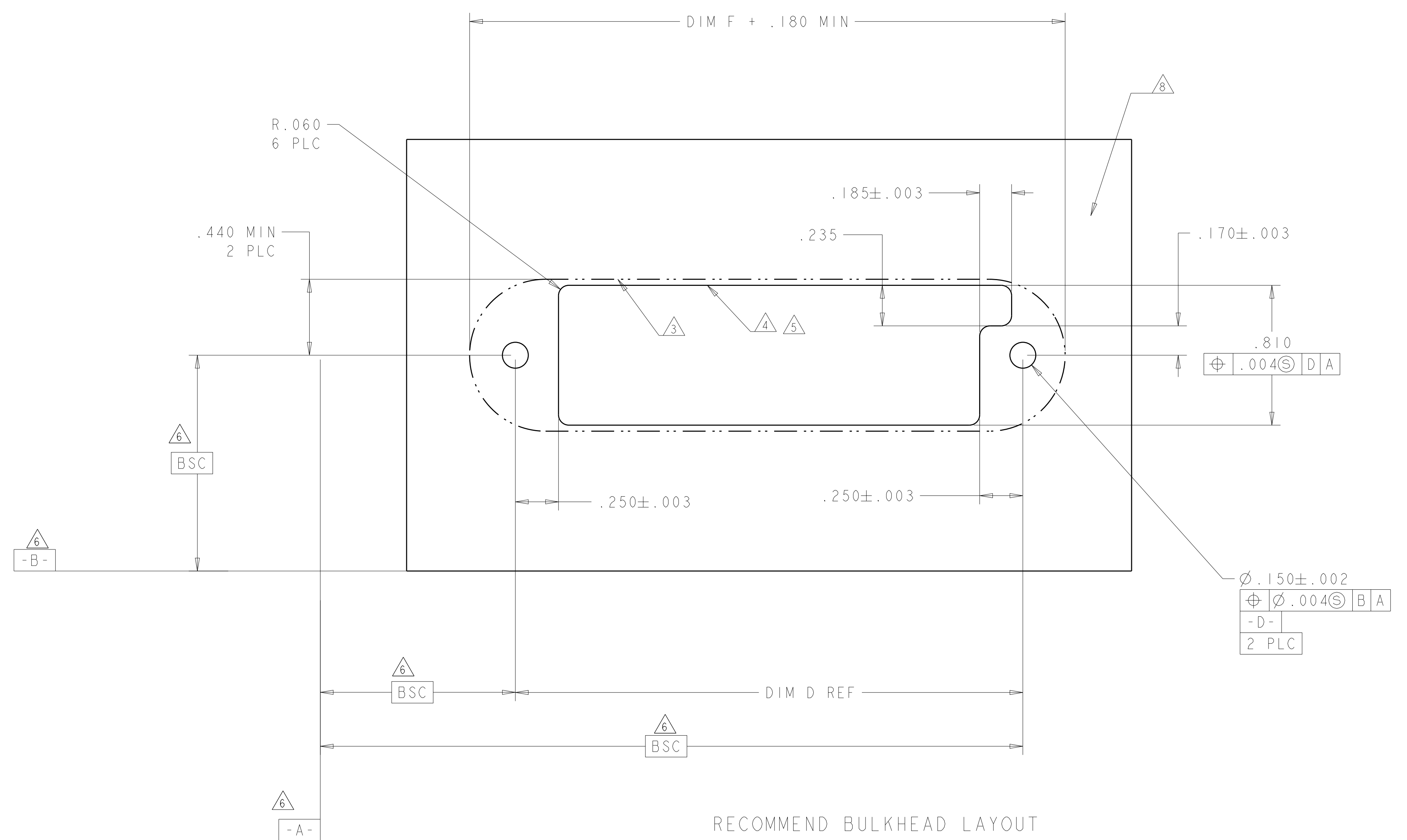
- ① CLAMSHELLS AND HEADER HOUSING: THERMO PLASTIC, UL94 V-0, CONTACTS: COPPER ALLOY; SCREWS: STEEL.
- ② TE PART NUMBER AND DATE CODE MARKED IN AREA.
- ③ CONNECTOR KEEP OUT ZONE.
- ④ CONNECTOR MATED TO PANEL FROM OPPOSITE SIDE.
- ⑤ NO BURRS ALLOWED ON OPPOSITE (MATED) SIDE.
- ⑥ DATUM LOCATIONS AND BASIC DIMENSIONS TO BE ESTABLISHED BY CUSTOMER.
- ⑦ MOUNT CONNECTOR WITH M3 X 12 SCREW
- ⑧ BULKHEAD THICKNESS CAN'T ABOVE .175
- ⑨ VARIABLE DIM PLEASE SEE PAGE 2

THIS DRAWING IS A CONTROLLED DOCUMENT.		DWN C. ZHOU	16OCT2012	TE Connectivity	
DIMENSIONS: INCHES		CHK S. ZHAO	APVD		
DIMENSIONS: 0 PLC ± 1 PLC ± 2 PLC ± 3 PLC ±.0050 4 PLC ±0.0020 ANGLES ±2°		TOLERANCES UNLESS OTHERWISE SPECIFIED:		PRODUCT SPEC	RESTRICTED TO
		APPLICATION SPEC		SIZE A100779	DRAWING NO C=1892831
MATERIAL	FINISH	WEIGHT	CUSTOMER DRAWING	SCALE 2:1	SHEET 2 OF 3
				REV 1	

LOC	DIST	REVISIONS			
		REV	DATE	BY	APPV
ES	00				
		SEE SHEET 1			

PART NUMBER	ROWS	POWER		SIGNAL				POWER	
		P4	P3	4	3	2	1	P2	P1
1892831-1	D	RA	RA	E	E	E	E	RM	RM
	C			E	E	E	E		
	B			E	E	E	E		
	A			E	E	E	E		
2P(14AWG) + 16S + 2P(14AWG)									

PART NUMBER	ROWS	SIGNAL					
		6	5	4	3	2	1
1892831-2	D	E	E	E	E	E	E
	C	E	E	E	E	E	E
	B	E	E	E	E	E	E
	A	E	E	E	E	E	E
24S							



REFERENCE WIRE CHART AND CONTACTS		
HOUSING MODULE	CONTACT	INSULATION DIAMETER RANGE
.300 POWER	8 - 10 REF 1600960	[.176 - .272]
.250 POWER	8 - 10 REF 1600960	[.176 - .203]
	12 - 14 REF 1600961	[.156 - .176]
.200 POWER	12 - 14 REF 1600961	[.120 - .156]
.100 SIGNAL	22 - 26 REF 531216-5	[.036 - .069]

POWER CONTACT, MFBL	RA
POWER CONTACT, STD	RM
SIGNAL CONTACT	E
DESCRIPTION	CODE
CODES	

THIS DRAWING IS A CONTROLLED DOCUMENT. DWG: C.ZHOU 16OCT2012  
CHK: S.ZHAO  
APVD: -

DIMENSIONS: INCHES  
TOLERANCES UNLESS OTHERWISE SPECIFIED:  
0 PLC ±.  
1 PLC ±.  
2 PLC ±.  
3 PLC ±.0050  
4 PLC ±0.0020  
ANGLES ±2°

MATERIAL: -  
FINISH: -

PRODUCT SPEC: -  
APPLICATION SPEC: -  
WEIGHT: -  
CUSTOMER DRAWING

NAME: SQUEEZE TO RELEASE CABLE REC WITH MOUNTING HOLE MULTI-BEAM XLE  
SIZE: A1  
CAGE CODE: 100779  
DRAWING NO: 1892831  
RESTRICTED TO: -

SCALE: 2:1  
SHEET: 3 OF 3  
REV: 1