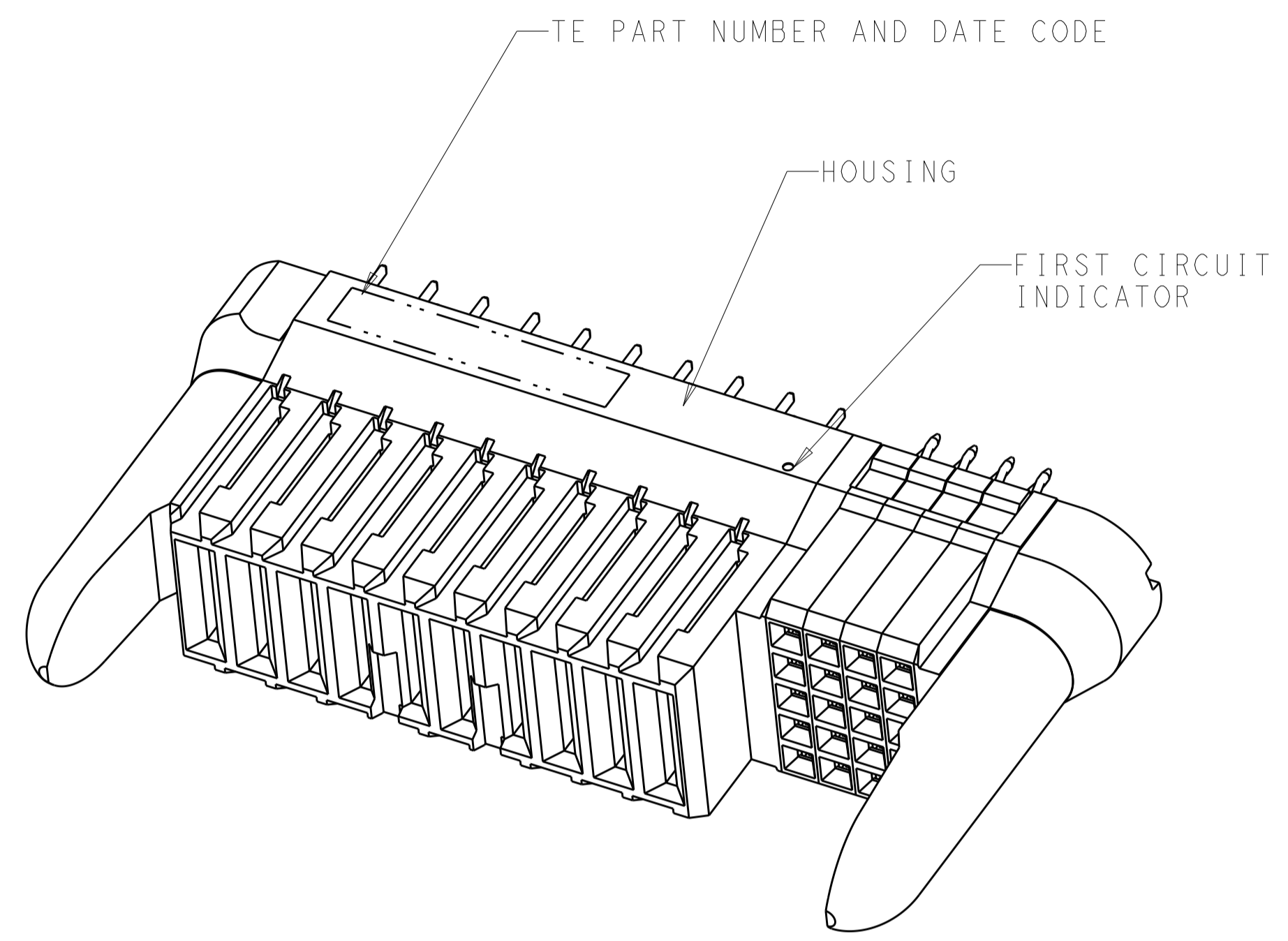
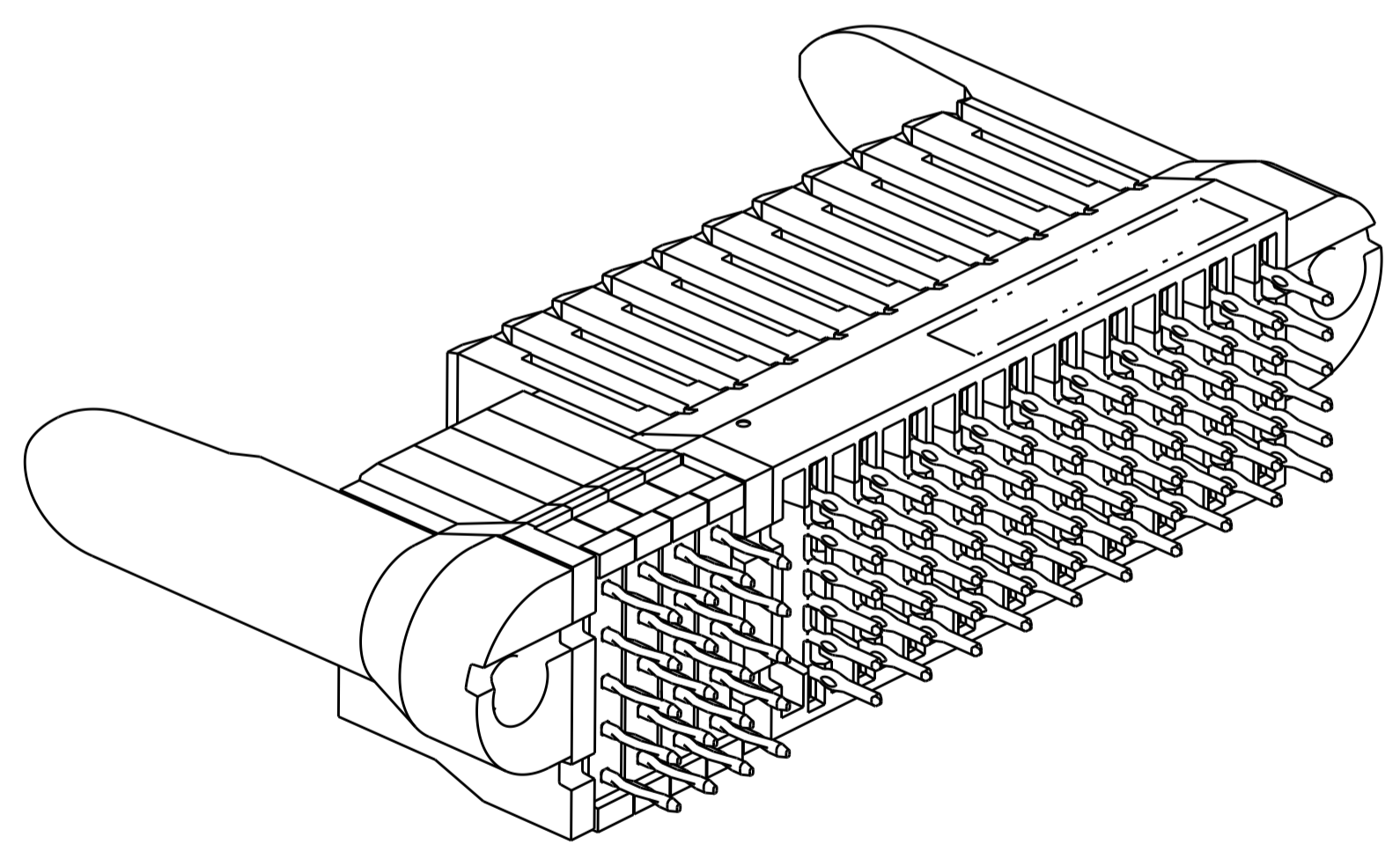


LOC		DIST		REVISIONS			
AA		00		REV	DATE	BY	CHK
A9				ADD NEW PARTS	15OCT2014	OL	SZ
A10				ECR-15-001425	22DEC2014	SZ	SZ



- HOUSING: GLASS FILLED LIQUID CRYSTAL POLYMER, COLOR: BLACK, UL 94 V-O RATED
 SIGNAL CONTACT: PHOSPHOR BRONZE
 SIGNAL OVERMOLD: GLASS FILLED POLYESTER
 POWER CONTACT: COPPER ALLOY
- SIGNAL CONTACT: 0.00127mm MIN NICKEL ALL OVER,
 MATING AREA: 0.00076mm MIN GOLD OR 0.00008mm MIN GOLD OVER
 0.00076mm MIN PALLADIUM-NICKEL,
 TAIL AREA: 0.0005mm MIN MATTE TIN
 POWER CONTACT: 0.00127mm MIN NICKEL ALL OVER,
 MATING AREA: 0.00076mm MIN GOLD OR 0.00008mm MIN GOLD OVER
 0.00076mm MIN PALLADIUM-NICKEL,
 TAIL AREA: 0.0005mm MIN MATTE TIN
- CONTACT MATING AREA LUBRICATED WITH BELLCORE APPROVED LUBRICANT,
 TECHNICAL REFERENCE: GR-1217-CORE, ISSUE 1, NOVEMBER 1995
- THIS CONNECTOR EMPLOYS UL RECOGNIZED Z-PACK 2mm HM SIGNAL CONTACTS
- DATUMS AND BASIC DIMENSIONS TO BE ESTABLISHED BY CUSTOMER
- SEE APPLICATION SPEC 114-13215 FOR PLATED THROUGH HOLE INFORMATION
- SEE CUSTOMER DRAWING 1926730 OR 1926732 FOR MATING CONNECTOR
- UNPLATED HOLES



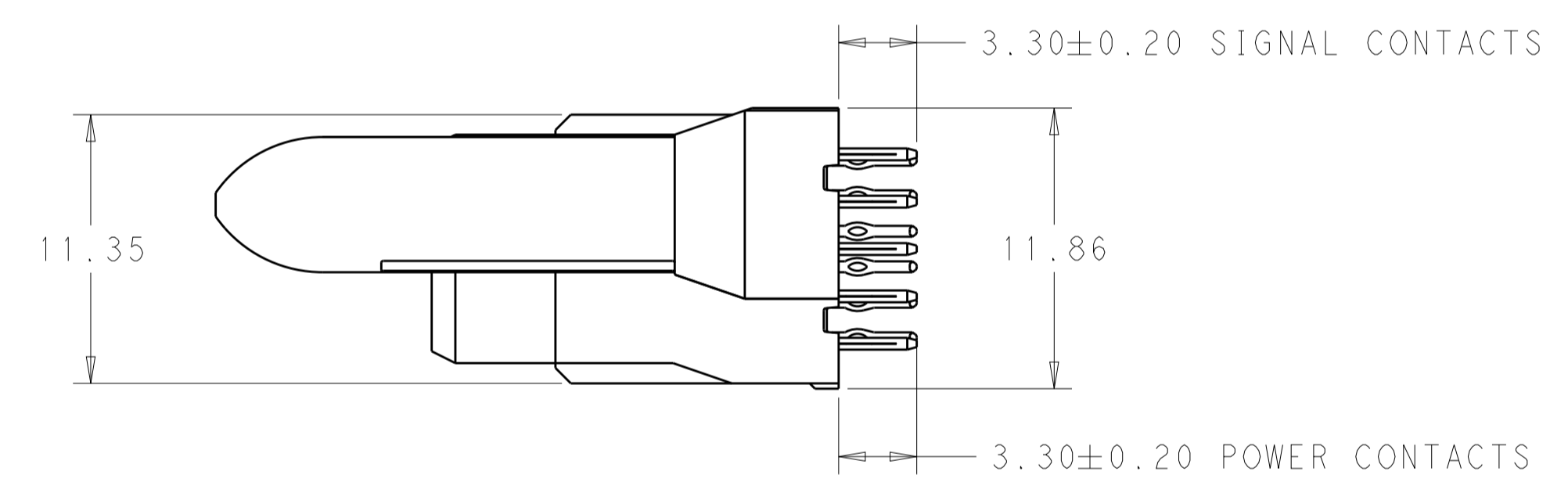
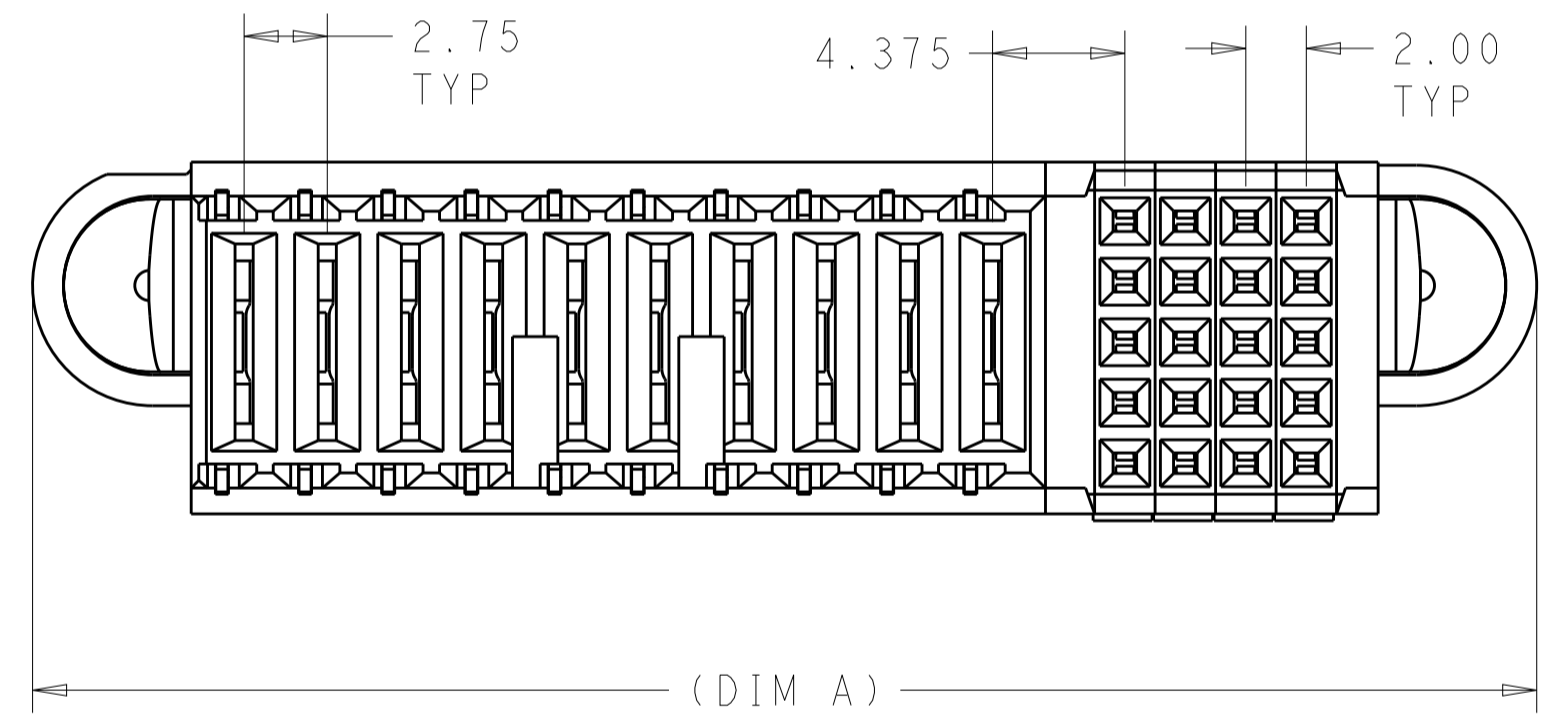
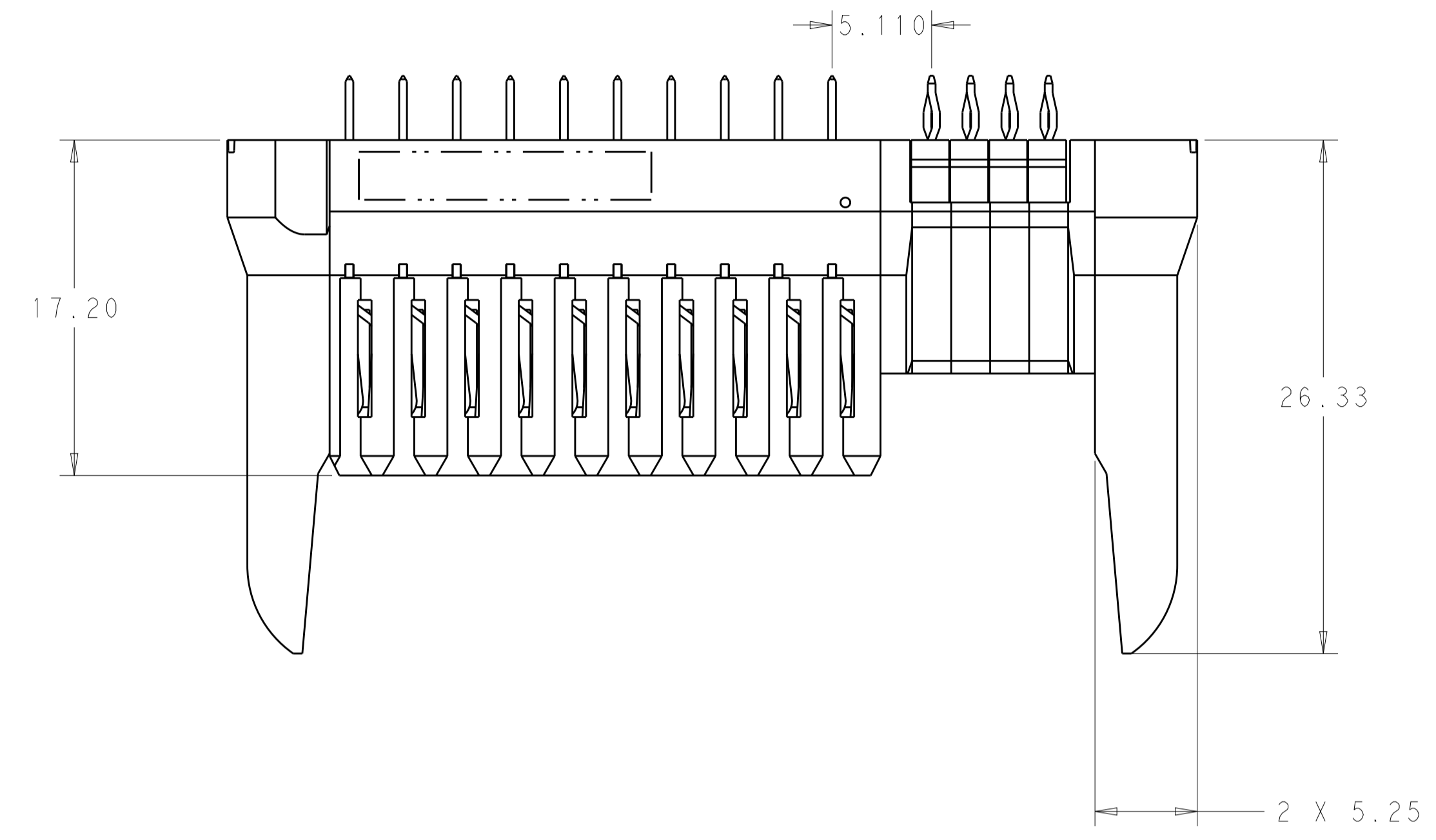
12	10	1	1	18.95	23.74	10S X 2P	1-1892787-4
12	15	1	2	20.95	25.74	15S X 2P	1-1892787-3
12	25	1	4	24.95	29.74	25S X 2P	1-1892787-2
120	35	19	6	78.45	83.24	35S X 20P	1-1892787-1
108	35	17	6	72.95	77.74	35S X 18P	1-1892787-0
48	20	7	3	39.45	44.24	20S X 8P	1892787-9
60	25	9	4	46.95	51.74	25S X 10P	1892787-6
24	20	3	3	28.45	33.24	20S X 4P	1892787-4
24	10	3	1	24.45	29.24	10S X 4P	1892787-2
F PLC	E PLC	D SPACES	C SPACES	DIM B	DIM A	NO OF POSITIONS	PART NUMBER

THIS DRAWING IS A CONTROLLED DOCUMENT.

DIMENSIONS:	TOLERANCES UNLESS OTHERWISE SPECIFIED:	OWN	28OCT2011
mm	0 PLC ±	ORANDO LI	28OCT2011
	2 PLC ±0.13	SUNY ZHAO	28OCT2011
	3 PLC ±	SUNY ZHAO	28OCT2011
	4 PLC ±		
	ANGLES ±		
MATERIAL SEE NOTE 1	FINISH SEE NOTE 2	NAME	RECEPTACLE ASSEMBLY, VERTICAL, PASSIVE GUIDE, SIGNAL/POWER, SCREW MOUNT OPTION, MINIPAK HDL
		SIZE	108-2325
		APPLICATION SPEC	114-13215
		WEIGHT	-
		Customer Drawing	A100779C=1892787

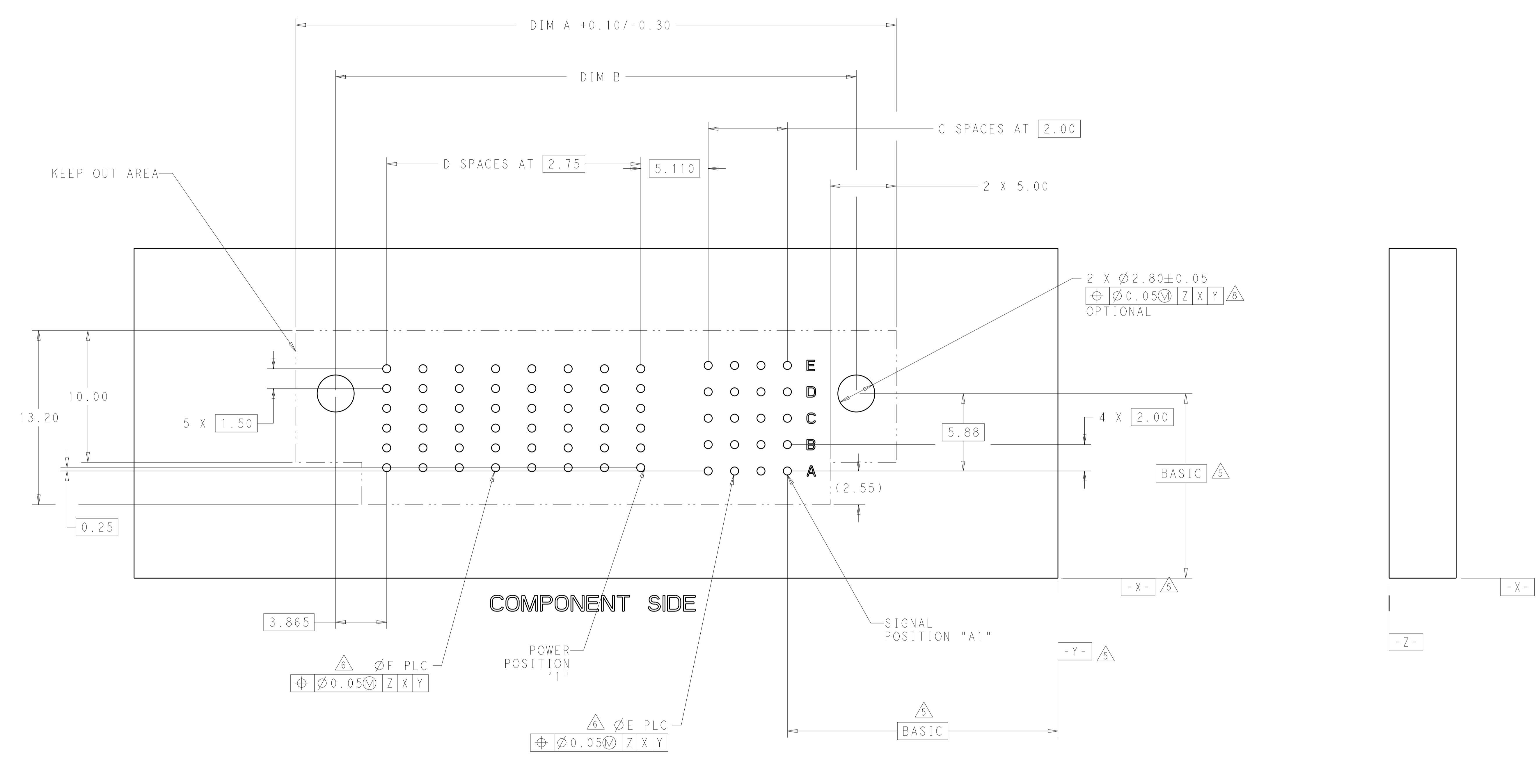
SCALE 2:1 SHEET 1 OF 3 REV A10

LOC	DIST	REVISIONS					
		P	LTN	DESCRIPTION	DATE	DMN	APVD
AA	00	-	-	SEE SHEET 1	-	-	-



THIS DRAWING IS A CONTROLLED DOCUMENT.		DMN: ORANDO LL 28OCT2011	TE Connectivity
DIMENSIONS: mm		CHK: SUNY ZHAO 28OCT2011	
TOLERANCES UNLESS OTHERWISE SPECIFIED:		APVD: SUNY ZHAO 28OCT2011	NAME: RECEPTACLE ASSEMBLY, VERTICAL, PASSIVE GUIDE, SIGNAL/POWER, SCREW MOUNT OPTION, MINIPAK HDL SIZE: A1 CAGE CODE: 100779 DRAWING NO: 1892787 RESTRICTED TO:
0 PLC ±		PRODUCT SPEC: 108-2325	
1 PLC ±0.13		APPLICATION SPEC: 114-13215	
2 PLC ±		WEIGHT: -	
3 PLC ±		FINISH: SEE NOTE 2	SCALE: 2:1
4 PLC ±		MATERIAL: SEE NOTE 1	SHEET 2 OF 3
ANGLES ±		Customer Drawing	REV: A10

LOC	DIST	REVISIONS					
		P	LTN	DESCRIPTION	DATE	DMN	APVD
AA	00	-	-	SEE SHEET 1	-	-	-



RECOMMENDED PRINTED CIRCUIT BOARD LAYOUT
 (COMPONENT SIDE OF BOARD SHOWN)

THIS DRAWING IS A CONTROLLED DOCUMENT.		DMN: ORANDO 11 28OCT2011	TE Connectivity
DIMENSIONS: mm		CHK: SUNY ZHAO 28OCT2011	
TOLERANCES UNLESS OTHERWISE SPECIFIED:		APVD: SUNY ZHAO 28OCT2011	NAME: RECEPTACLE ASSEMBLY, VERTICAL, PASSIVE GUIDE, SIGNAL/POWER, SCREW MOUNT OPTION, MINIPAK HDL SIZE: CAGE CODE DRAWING NO. RESTRICTED TO: A100779C=1892787 WEIGHT: - Customer Drawing
0 PLC ±		PRODUCT SPEC: 108-2325	
2 PLC ±0.13		APPLICATION SPEC: 114-13215	
4 PLC ±		ANGLES ±	
MATERIAL: SEE NOTE 1	FINISH: SEE NOTE 2	SCALE: 2:1	SHEET 3 OF 3
		REV: A10	