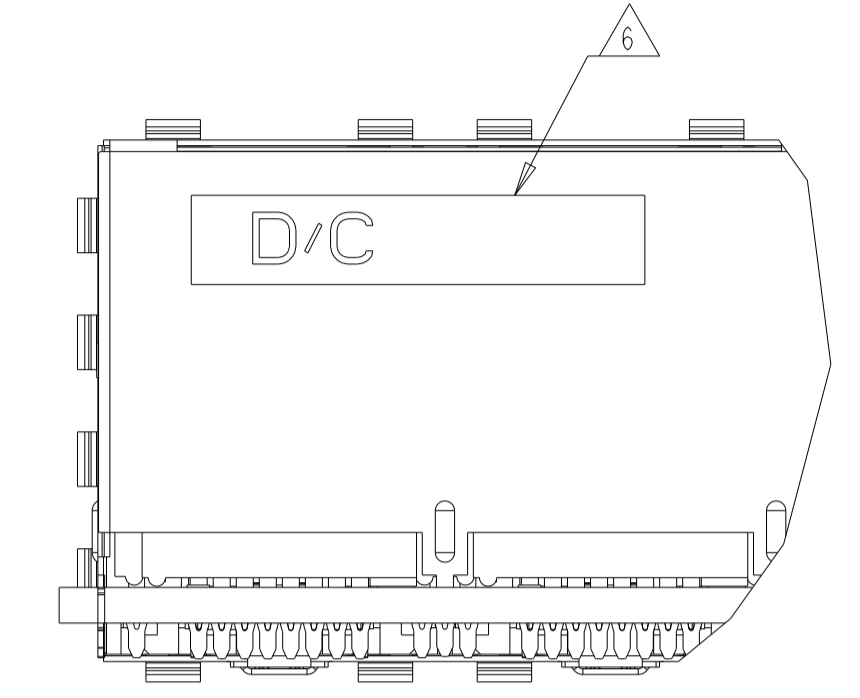
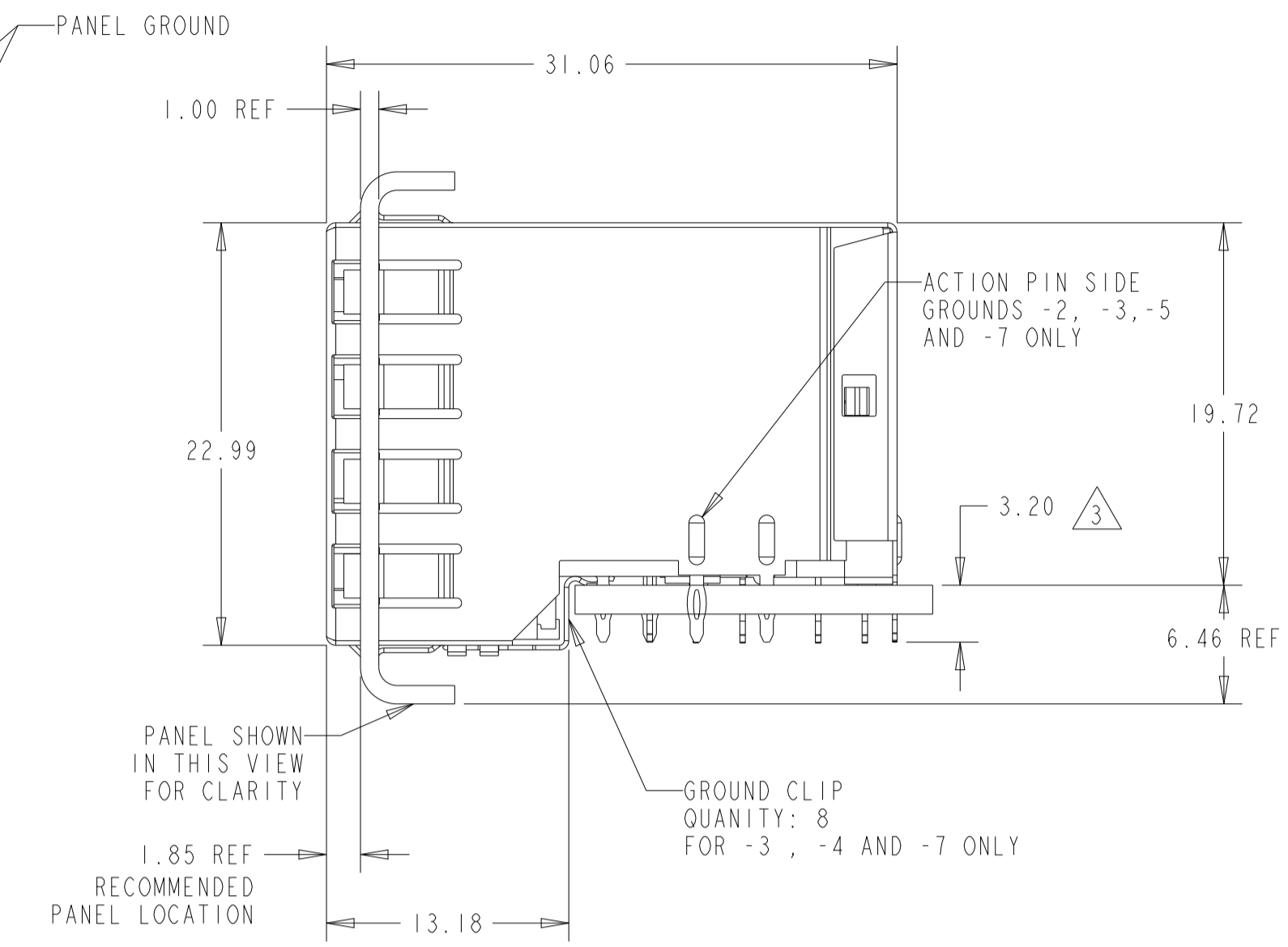
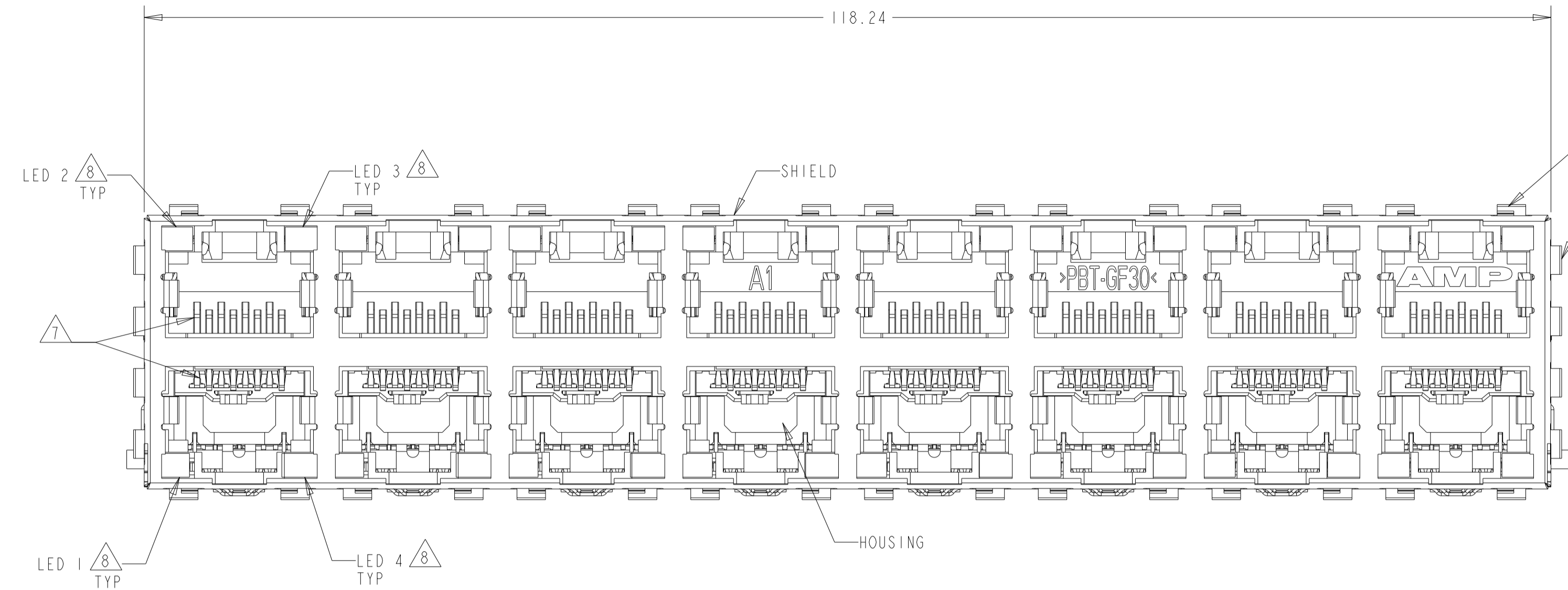


REVISIONS				
P	LTN	DESCRIPTION	DATE	APVD
D		REV PER ECR-09-024937	12NOV2009	DZ SY
E		ECO-15-006810	22JAN2016	LL SH
E1		REVISED PER ECR-23-166294	13APR2023	IT WH

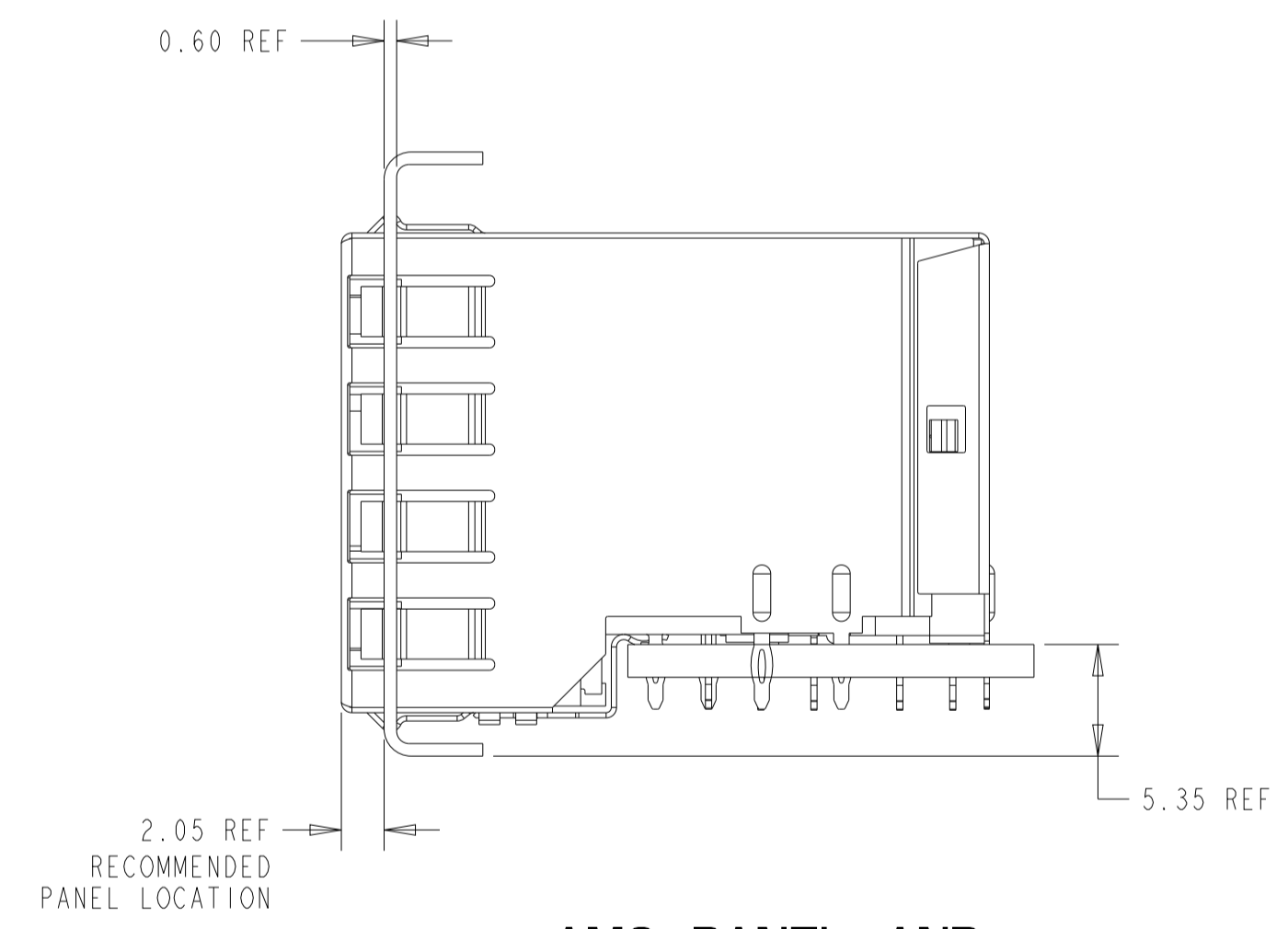


- MATERIAL:  
 HOUSING: PBT POLYESTER, BLACK, UL 94V-0  
 TERMINALS: 0.33 THICK PHOSPHOR BRONZE PLATED WITH 1.27µm MINIMUM THICK HARD GOLD IN LOCALIZED AREA AND 2.0µm MINIMUM THICK MATTE TIN IN COMPLIANT PIN TERMINAL AREA OVER 1.27µm MINIMUM THICK NICKEL UNDERPLATE  
 SHIELD: 0.25 THICK COPPER ALLOY PLATED WITH 1.27 µm MINIMUM NICKEL  
 GROUND CLIP: 0.25 THICK COPPER ALLOY PLATED WITH 1.27µm MINIMUM NICKEL  
 LIGHT EMITTING DIODE (LED): DIFFUSED EPOXY LENS, 12.95 CARBON STEEL WIREFRAME LEADS PREPLATED WITH 8.89µm THICK Sn/Cu OVER 2.03µm THICK Ag OVER 1.02µm THICK Cu OVER 3.56µm THICK Ni OVER 1.02µm THICK Cu UNDERPLATE  
 LED COMPLIANT PIN CONTACTS: 0.3 THICK BRASS PLATED WITH 2µm MINIMUM MATTE TIN OVER 1.27µm MINIMUM NICKEL UNDERPLATE.

2. JACK CAVITY CONFORMS TO FCC RULES AND REGULATIONS, PART 68 SUBPART F.

- 3 MAXIMUM PIN LENGTH 3.40 FROM TOP SURFACE OF PC BOARD
- 4 FINISHED PLATED THROUGH HOLE DIAMETER - ANNULAR RING DIAMETER 1.3 TO 1.5
- 5 DATUMS AND BASIC DIMENSIONS ESTABLISHED BY CUSTOMER
- 6 DATE CODE LOCATED ON REAR OF PART APPROXIMATELY AS SHOWN
- 7 CONTACTS ARE NOT INTENDED TO BE ALIGNED WITH EACH OTHER
- 8 SUGGESTED OPERATING CURRENT FOR LEDS IS 20mA

### ATCA PANEL AND PRINTED CIRCUIT BOARD ASSEMBLY LAYOUT



### AMC PANEL AND PRINTED CIRCUIT BOARD ASSEMBLY LAYOUT

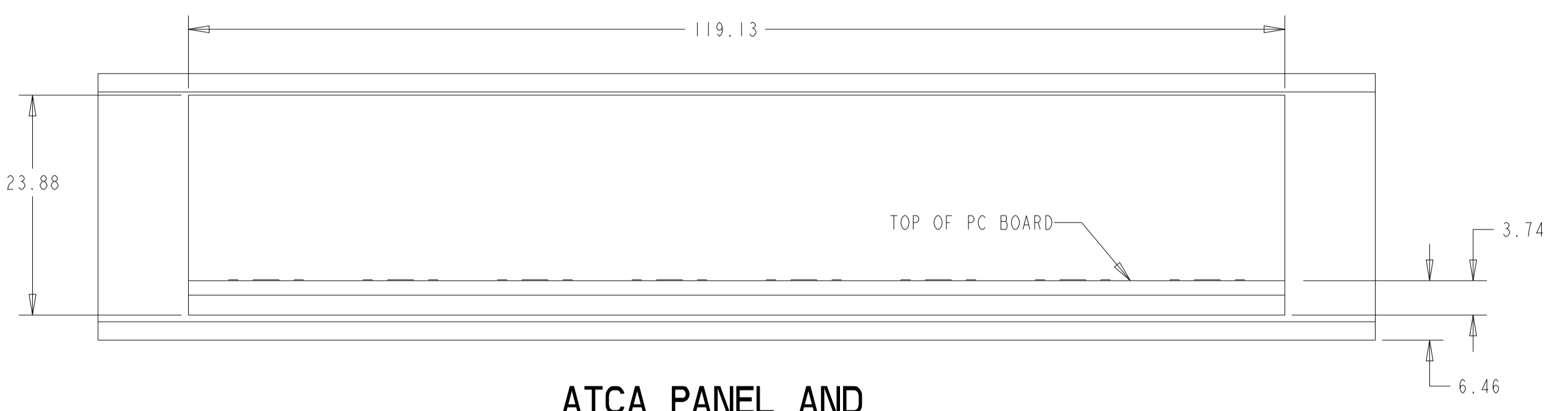
15.88	GREEN/YELLOW	GREEN/YELLOW	GREEN/YELLOW	GREEN/YELLOW	YES	WITH GROUND CLIP	1888655-7
16.13	YELLOW	YELLOW	GREEN/YELLOW	GREEN/YELLOW	YES	WITHOUT GROUND CLIP	1888655-6
16.13	YELLOW	YELLOW	GREEN	GREEN	YES	WITHOUT GROUND CLIP	1888655-5
15.88	GREEN	GREEN	GREEN	GREEN	NO	WITH GROUND CLIP	1888655-4
15.88	GREEN	GREEN	GREEN	GREEN	YES	WITH GROUND CLIP	1888655-3 (SHOWN)
16.13	GREEN	GREEN	GREEN	GREEN	YES	WITHOUT GROUND CLIP	1888655-2
16.13	GREEN	GREEN	GREEN	GREEN	NO	WITHOUT GROUND CLIP	1888655-1
M DIM	LED #4 (LOWER-RIGHT)	LED #3 (UPPER-RIGHT)	LED #2 (UPPER-LEFT)	LED #1 (LOWER-LEFT)	SHIELD SIDE ACTION PIN	DESCRIPTION	PART NUMBER

THIS DRAWING IS A CONTROLLED DOCUMENT.

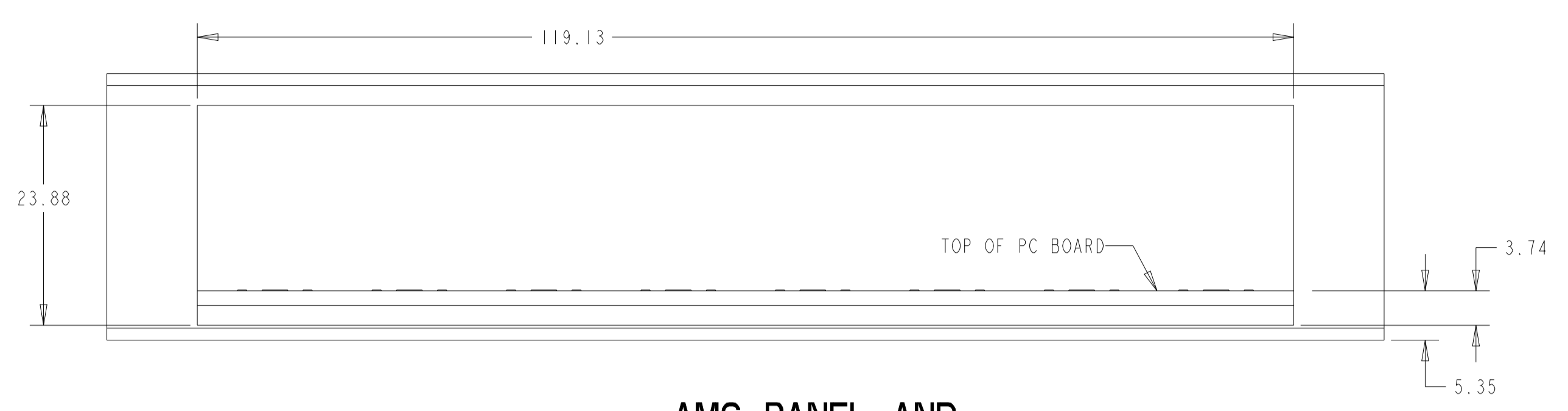
DIMENSIONS:	TOLERANCES UNLESS OTHERWISE SPECIFIED:	OWN: L.A. MAYER 31OCT2006	CHK: J. WESTMAN 31OCT2006	APVD: S. FLICKINGER 31OCT2006	NAME: STACKED MODULAR JACK ASSEMBLY, 2 X 8, 8 POSN, SHIELDED, PANEL GROUND, OFFSET, CAT 5
mm	0 PLC ± 1 PLC ±0.13 2 PLC ± 3 PLC ± 4 PLC ± ANGLES ±1° FINISH	PRODUCT SPEC: 108-1854	APPLICATION SPEC: 114-2160	WEIGHT: -	RESTRICTED TO: A1
MATERIAL: SEE NOTE 1		CAGE CODE: 00779	DRAWING NO: 1888655	CUSTOMER DRAWING	SCALE: 3:1 SHEET 1 OF 2 REV: E1

TE Connectivity

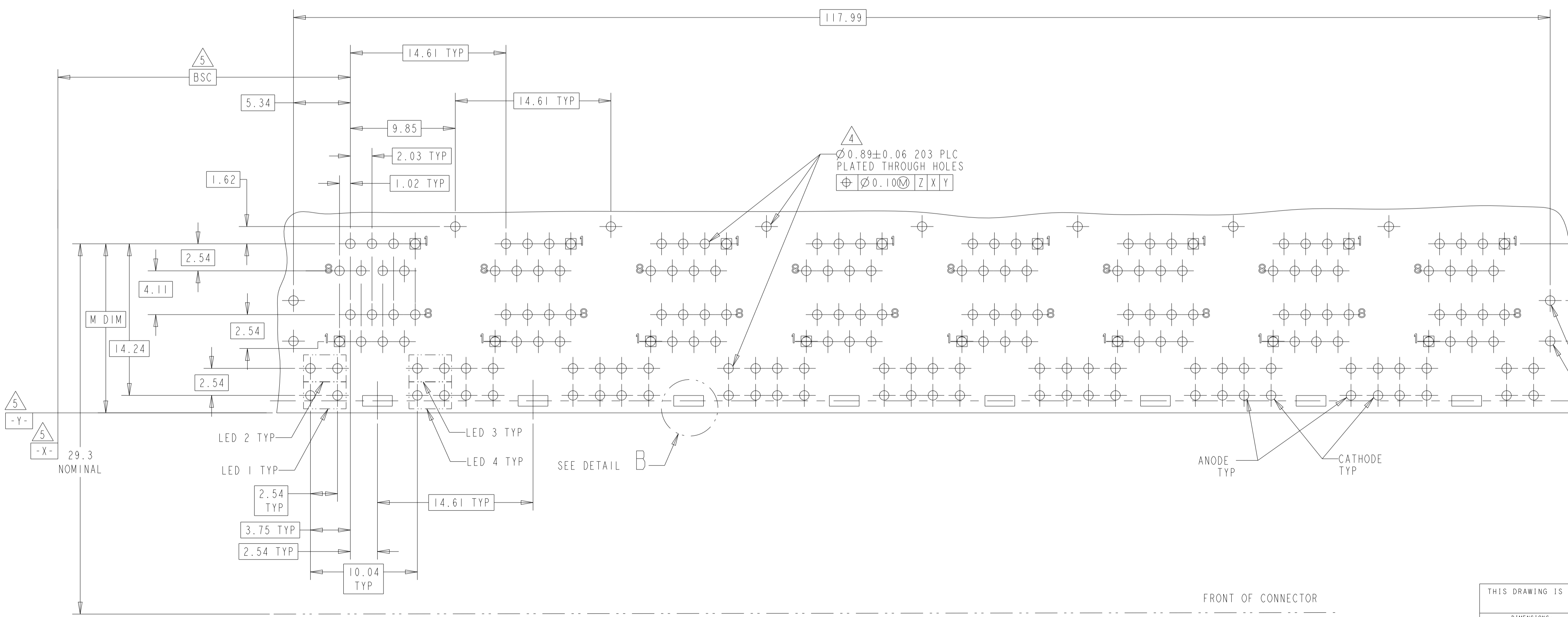
REVISIONS				
P	LTN	DESCRIPTION	DATE	APVD
-	-	SEE SHEET 1	-	-



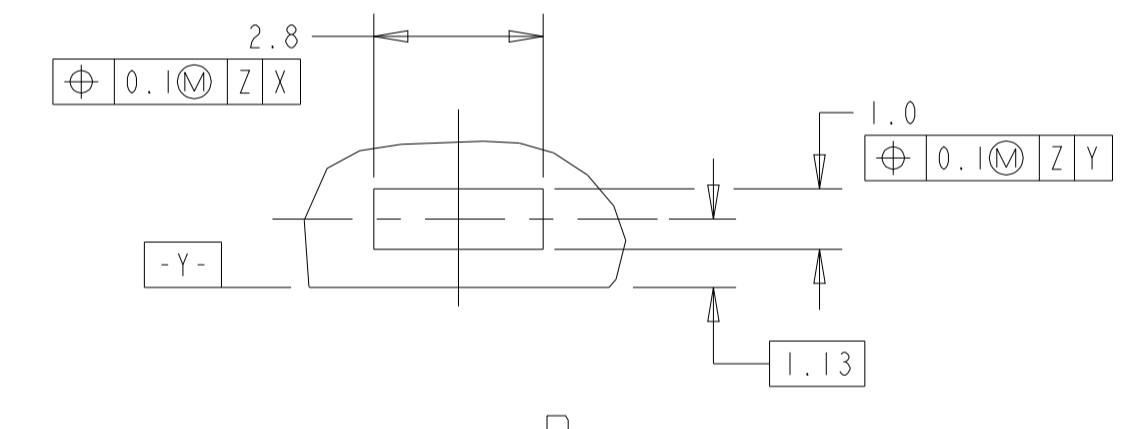
**ATCA PANEL AND PRINTED CIRCUIT BOARD LAYOUT**  
SCALE 2:1



**AMC PANEL AND PRINTED CIRCUIT BOARD LAYOUT**  
SCALE 2:1



**PC BOARD LAYOUT (COMPONENT SIDE)**



**DETAIL B**  
SCALE 8:1  
PLATED PADS REQUIRED FOR 1888655-3, -4 AND -7 (PRODUCT WITH GROUNDING CLIP)  
8 PLC

THROUGH HOLES FOR SHIELD SIDE GROUNDS. NOT REQUIRED FOR 188655-1 & -4

FRONT OF CONNECTOR

THIS DRAWING IS A CONTROLLED DOCUMENT.		OWN: L.A. MAYER 31OCT2006	TE Connectivity
DIMENSIONS: mm		CHK: J. WESTMAN 31OCT2006	
TOLERANCES UNLESS OTHERWISE SPECIFIED:		APVD: S. FLICKINGER 31OCT2006	NAME: STACKED MODULAR JACK ASSEMBLY, 2 X 8, 8 POSN, SHIELDED, PANEL GROUND, OFFSET, CAT 5 SIZE: A1 CAGE CODE: 00779 DRAWING NO: 1888655 RESTRICTED TO:
0 PLC ± 1 PLC ±0.13 2 PLC ± 3 PLC ± 4 PLC ± ANGLES ±1° FINISH:		PRODUCT SPEC: 108-1854 APPLICATION SPEC: 114-2160 WEIGHT: - CUSTOMER DRAWING:	
MATERIAL: SEE NOTE 1		SCALE: 2:1	SHEET 2 OF 2 REV E1