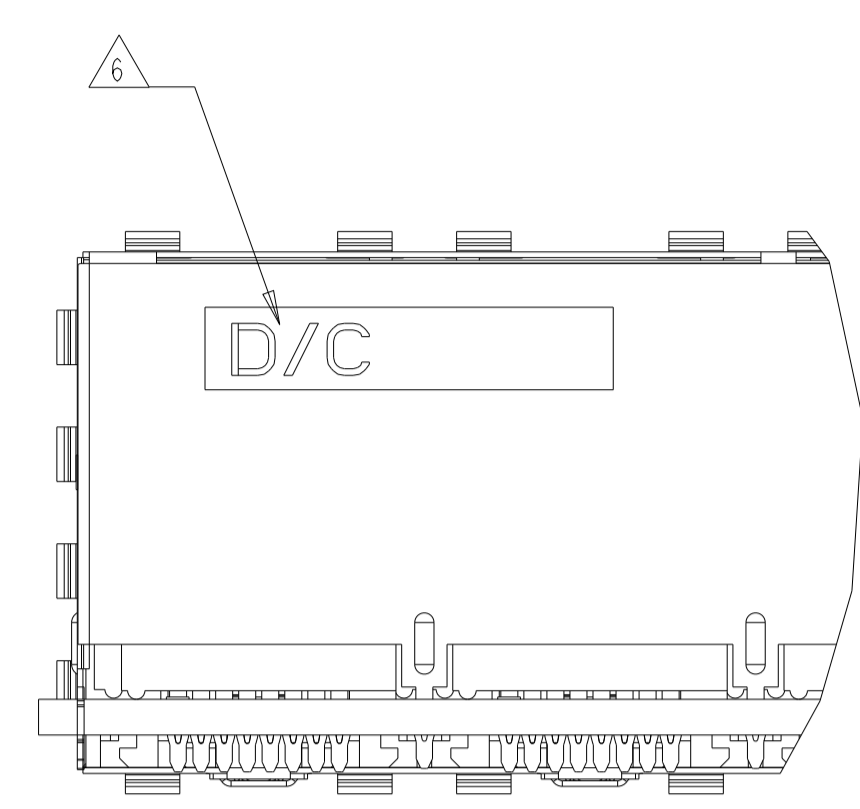
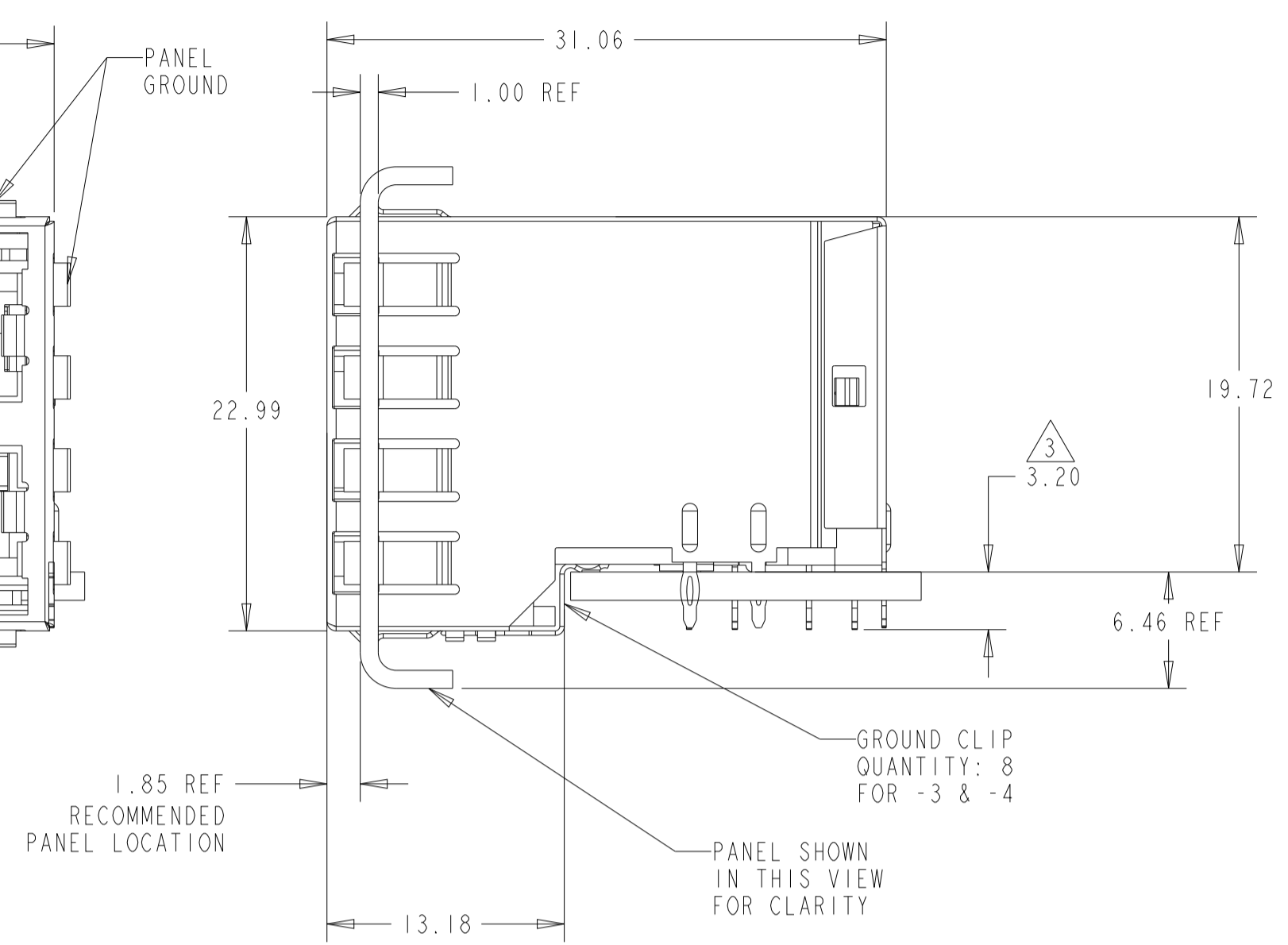
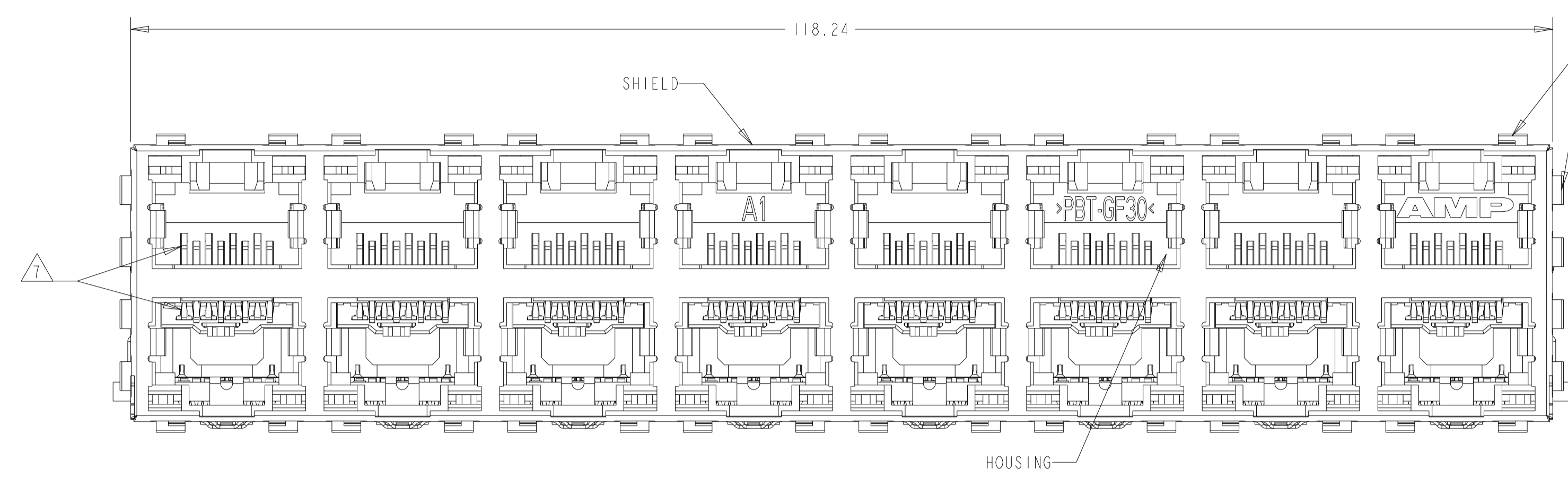
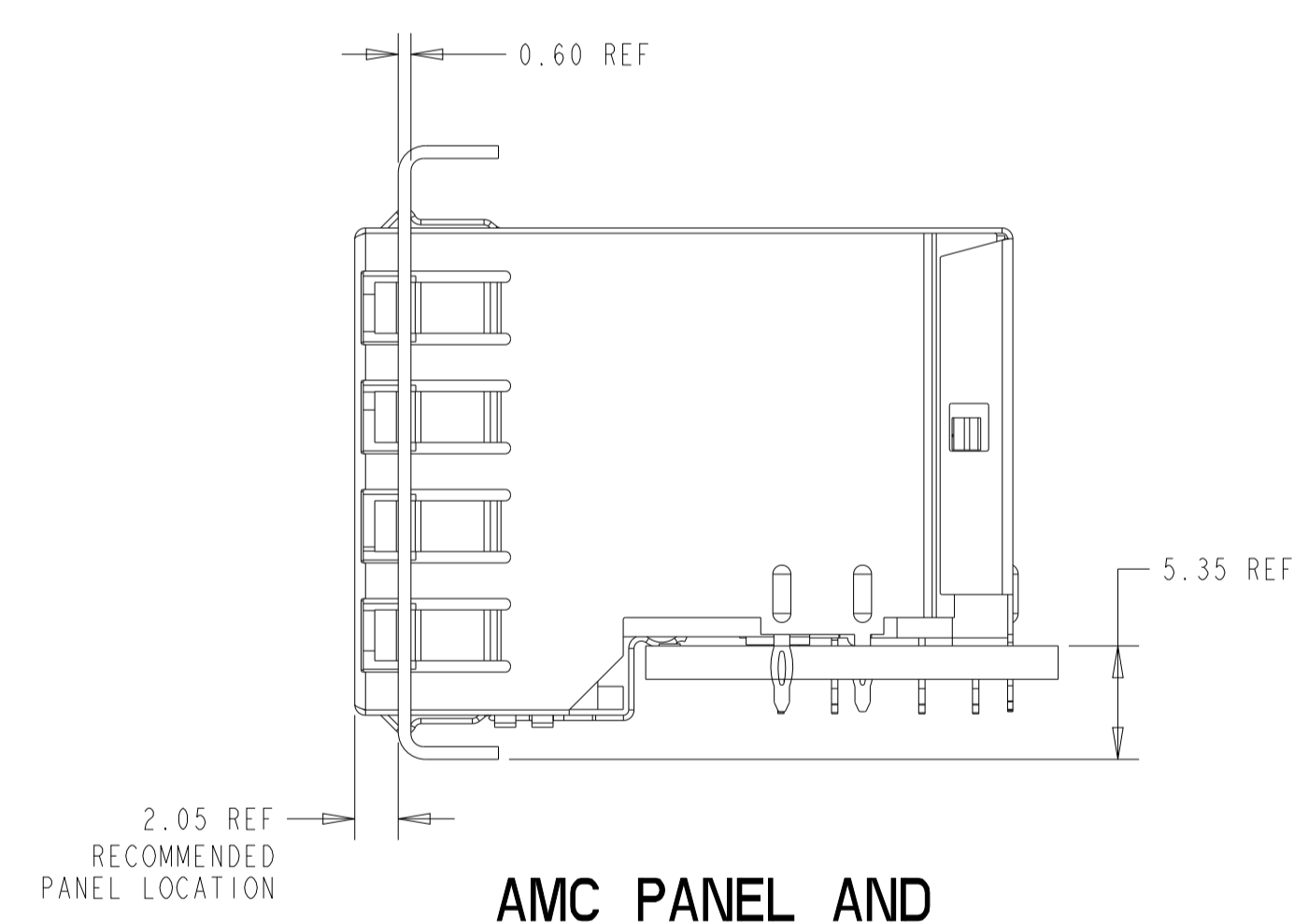


| REVISIONS | | | | |
|-----------|-----|---------------------------|-----------|-------|
| P | LTN | DESCRIPTION | DATE | APVD |
| C | | REVISED PER ECR-23-166294 | 13APR2023 | IT WH |
| | | | | |
| | | | | |



ATCA PANEL AND PRINTED CIRCUIT BOARD ASSEMBLY LAYOUT

- MATERIAL:
 - HOUSING: PBT POLYESTER, BLACK, UL 94V-0
 - TERMINALS: 0.33 THICK PHOSPHOR BRONZE PLATED WITH 1.27µm MINIMUM THICK HARD GOLD IN LOCALIZED AREA AND 2.0µm MINIMUM THICK MATTE TIN IN COMPLIANT PIN TERMINAL AREA OVER 1.27µm MINIMUM THICK NICKEL UNDERPLATE
 - SHIELD: 0.25 THICK COPPER ALLOY PLATED WITH 1.27 µm MINIMUM NICKEL
 - GROUND CLIP: 0.25 THICK COPPER ALLOY PLATED WITH 1.27µm MINIMUM NICKEL
 - JACK CAVITY CONFORMS TO FCC RULES AND REGULATIONS, PART 68 SUBPART F.
- 3 MAXIMUM PIN LENGTH 3.40 FROM TOP SURFACE OF PC BOARD
 - 4 FINISHED PLATED THROUGH HOLE DIAMETER - ANNULAR RING DIAMETER 1.3 TO 1.5
 - 5 DATUMS AND BASIC DIMENSIONS ESTABLISHED BY CUSTOMER
 - 6 DATE CODE LOCATED ON REAR OF PART APPROXIMATELY AS SHOWN
 - 7 CONTACTS ARE NOT INTENDED TO BE ALIGNED WITH EACH OTHER



AMC PANEL AND PRINTED CIRCUIT BOARD ASSEMBLY LAYOUT

| 15.88 | WITH GROUND CLIP | 1888654-4 |
|-------|---------------------|-------------------|
| 15.88 | WITH GROUND CLIP | 1888654-3 (SHOWN) |
| 16.13 | WITHOUT GROUND CLIP | 1888654-2 |
| 16.13 | WITHOUT GROUND CLIP | 1888654-1 |
| M DIM | DESCRIPTION | PART NUMBER |

THIS DRAWING IS A CONTROLLED DOCUMENT.

DWN: L.A.MAYER 28OCT2006
 CHK: J.WESTMAN 28OCT2006
 APVD: S.FLICKINGER 28OCT2006

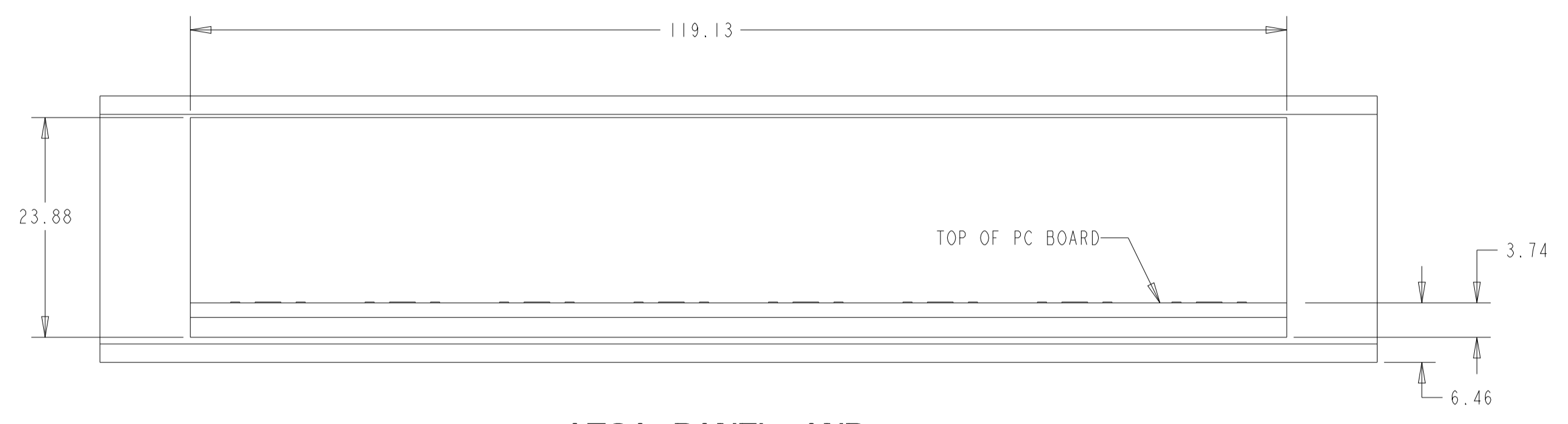
DIMENSIONS: mm
 TOLERANCES UNLESS OTHERWISE SPECIFIED:
 0 PLC ±
 1 PLC ±0.13
 2 PLC ±
 3 PLC ±
 4 PLC ±
 ANGLES ±1°
 FINISH SEE NOTE 1

MATERIAL: SEE NOTE 1
 WEIGHT: -
 CUSTOMER DRAWING

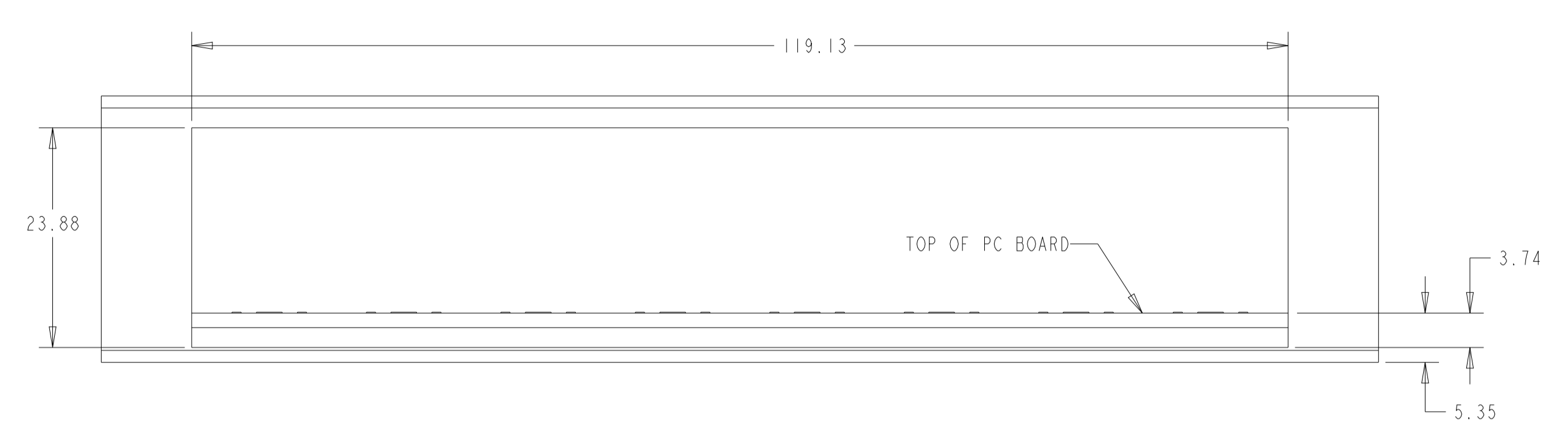
NAME: STACKED MOD JACK ASSEMBLY, 2 X 8, 8 POSN, SHIELDED, PANEL GROUND, OFFSET, CAT 5
 SIZE: 114-2160
 CAGE CODE: 00779
 DRAWING NO: 1888654
 RESTRICTED TO: C

SCALE: 3:1
 SHEET: 1 OF 2
 REV: C1

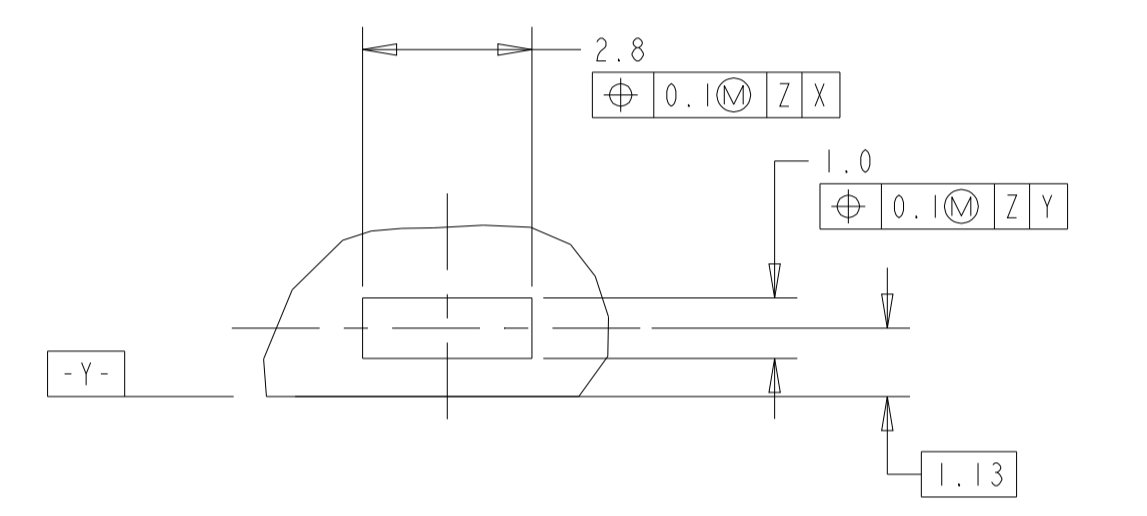
| REVISIONS | | | | |
|-----------|-----|-------------|------|------|
| P | LTN | DESCRIPTION | DATE | APVD |
| - | | SEE SHEET 1 | - | - |
| | | | | |
| | | | | |



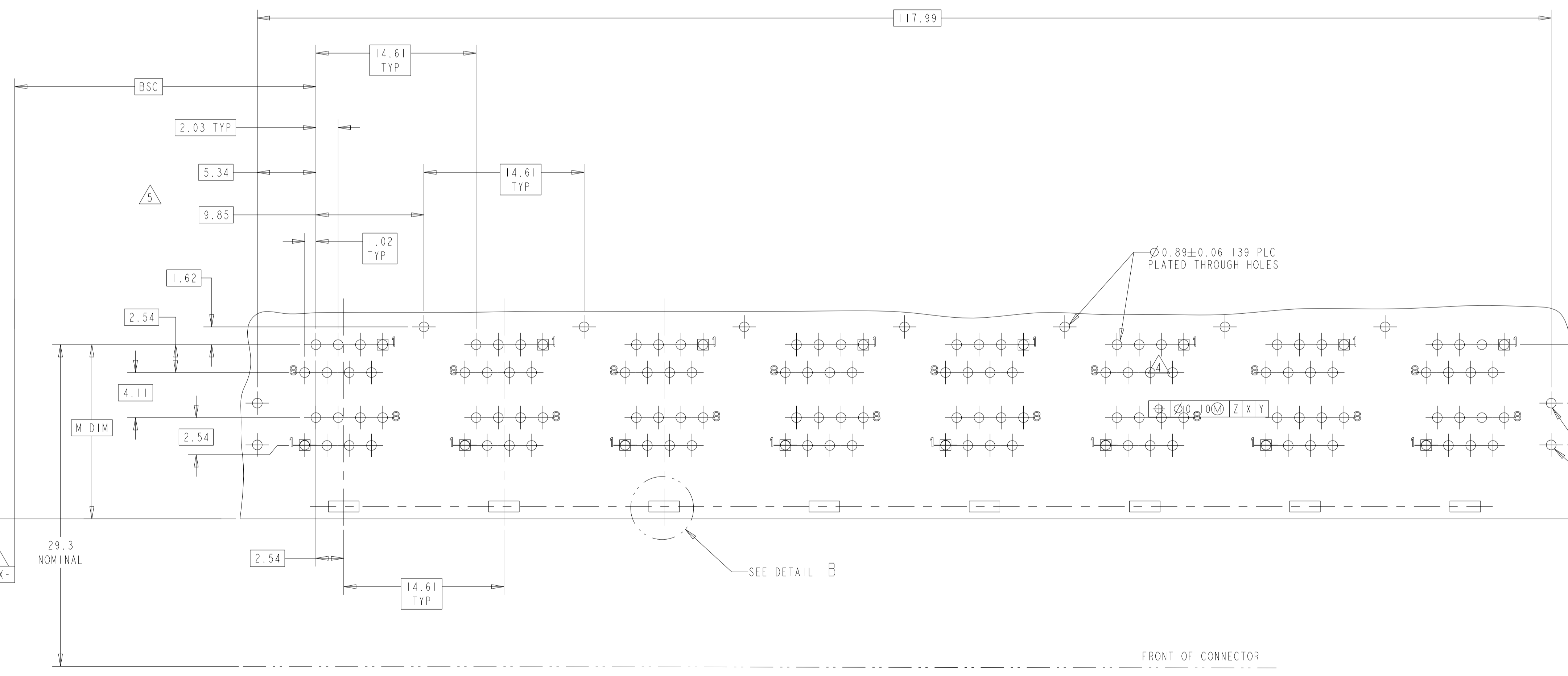
ATCA PANEL AND PRINTED CIRCUIT BOARD LAYOUT
SCALE 2:1



AMC PANEL AND PRINTED CIRCUIT BOARD LAYOUT
SCALE 2:1



DETAIL B
SCALE 8:1
PLATED PADS REQUIRED FOR 1888654-3 & -4 (PRODUCT WITH GROUNDING CLIP)
8 PLC



PC BOARD LAYOUT (COMPONENT SIDE)

| | | | |
|---|--|-------------------------------|---|
| THIS DRAWING IS A CONTROLLED DOCUMENT. | | OWN: L.A.MAYER 28OCT2006 | TE Connectivity |
| DIMENSIONS: mm | | CHK: J.WESTMAN 28OCT2006 | |
| TOLERANCES UNLESS OTHERWISE SPECIFIED: | | APVD: S.FELICKINGER 28OCT2006 | NAME: STACKED MOD JACK ASSEMBLY, 2 X 8, 8 POSN, SHIELDED, PANEL GROUND, OFFSET, CAT 5 |
| 0 PLC ± 1 PLC ±0.13 2 PLC ± 3 PLC ± 4 PLC ± ANGLES ±1° FINISH | | PRODUCT SPEC: 108-1854 | |
| MATERIAL: SEE NOTE 1 | | APPLICATION SPEC: 114-2160 | RESTRICTED TO: - |
| WEIGHT: - | | SIZE: A1 00779 | SCALE: 4:1 |
| CUSTOMER DRAWING | | DRAWING NO: C=1888654 | SHEET: 2 OF 2 |
| | | REV: C1 | |