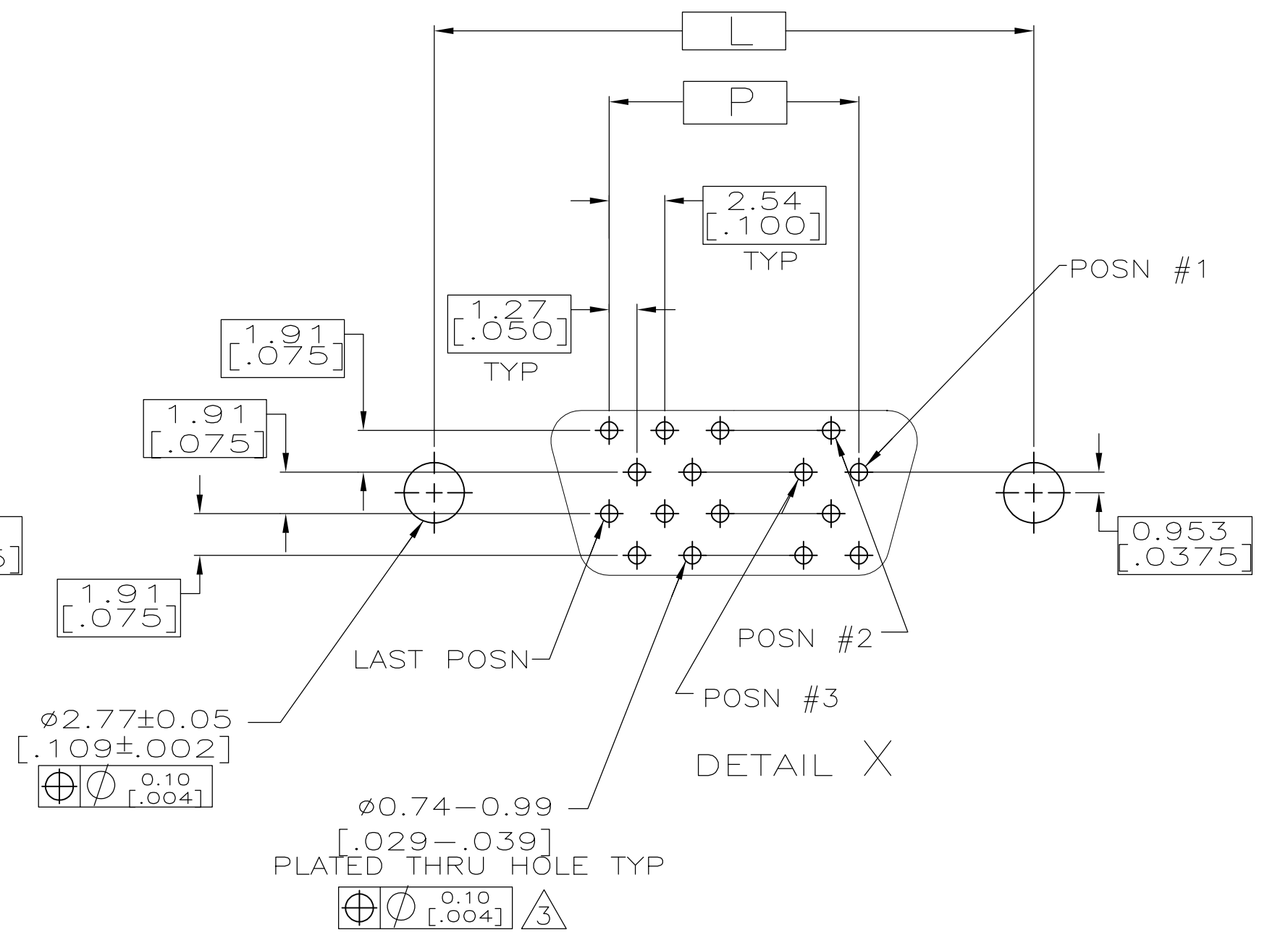
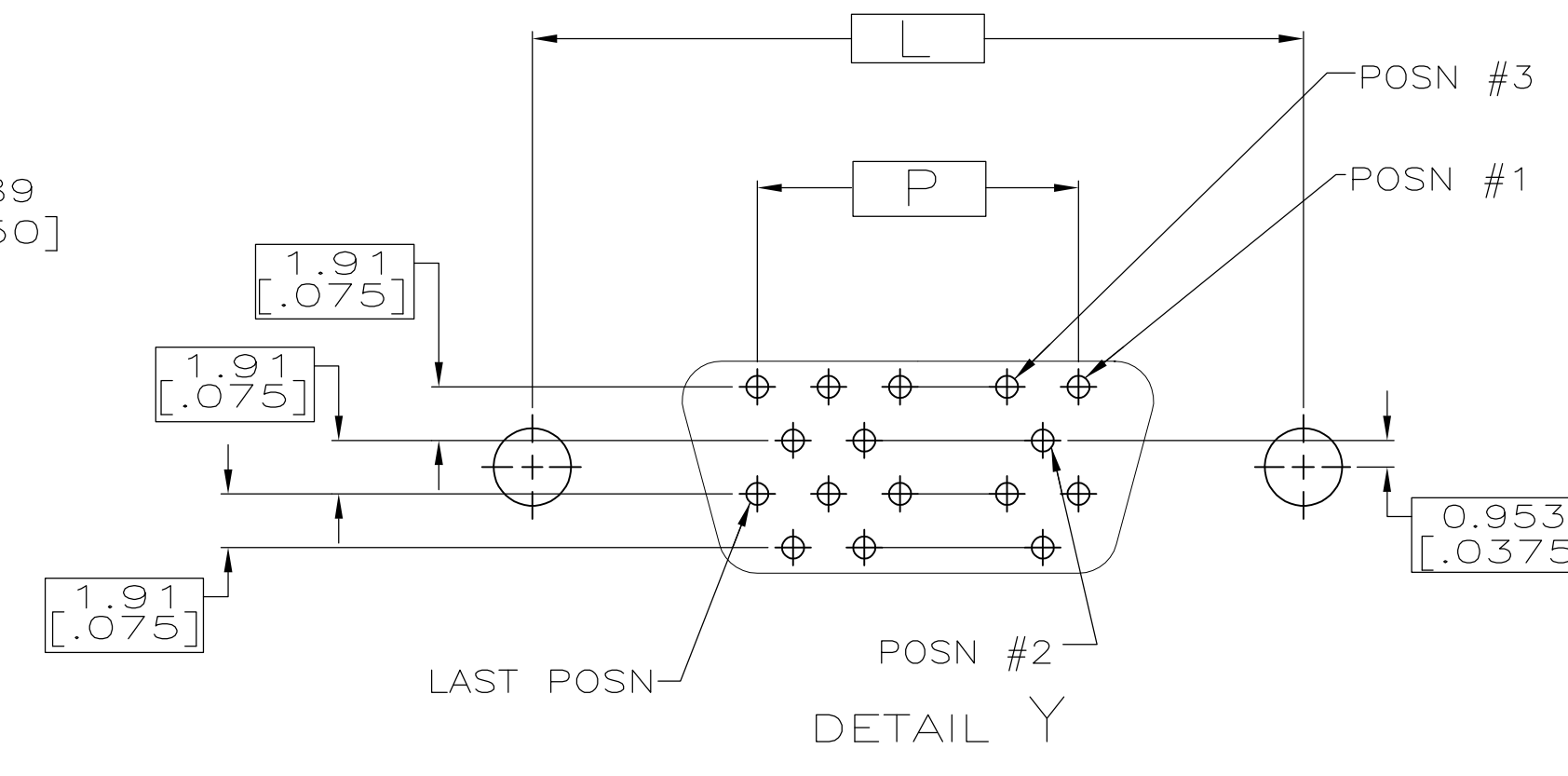
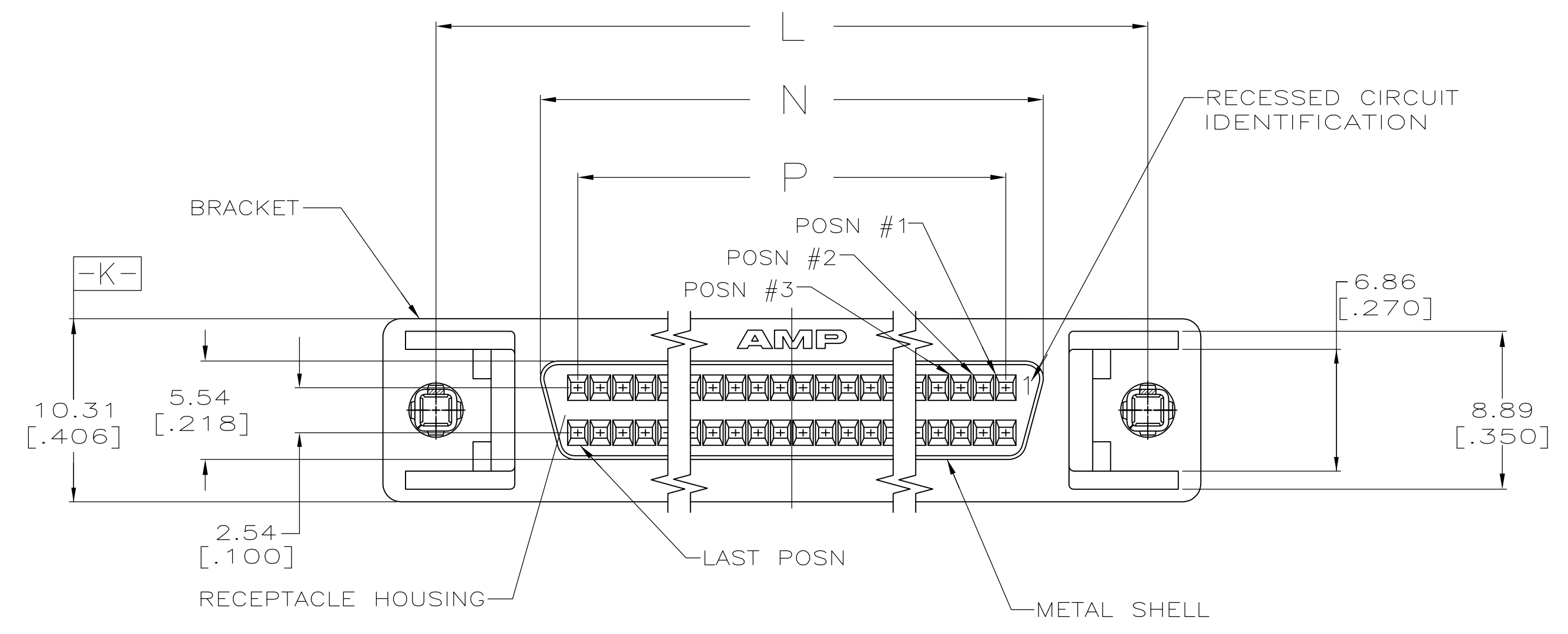
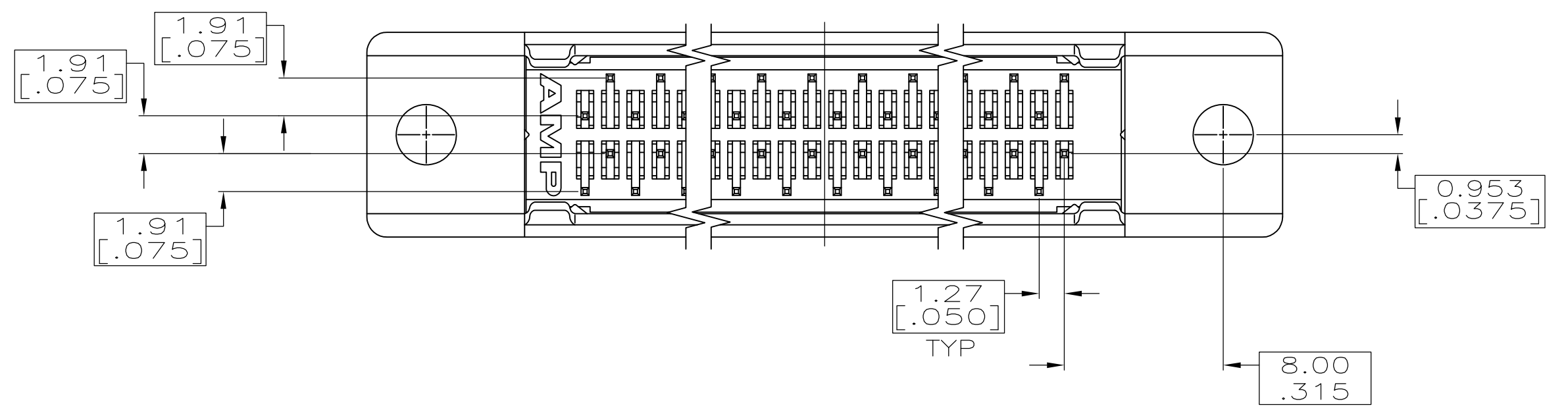
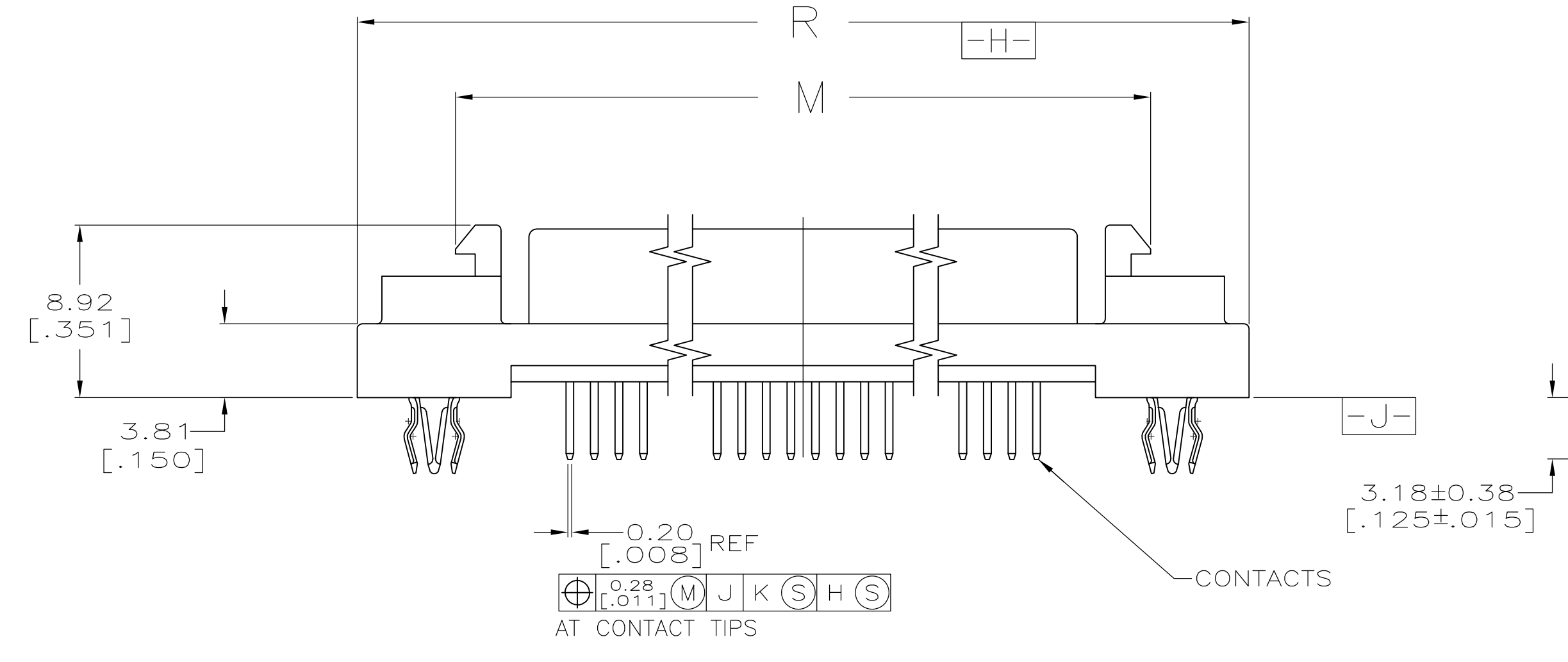


- 1 MATERIAL  
 HOUSING: THERMOPLASTIC, UL 94V-0 RATED, COLOR BLACK.  
 METAL SHELL: CARBON STEEL.  
 BRACKET: ZINC.  
 CONTACTS: PHOSPHOR BRONZE.
- 2 FINISH  
 SHELL: 5.08µm [.000200] MIN NICKEL OVER 1.27µm [.000050] MIN COPPER.  
 BRACKET: NICKEL.  
 CONTACTS: EITHER 0.76µm [.000030] MIN GOLD ON MATING END OR GOLD FLASH OVER PALLADIUM NICKEL, 0.76µm [.000030] MIN TOTAL ON MATING END. 3.05µm [.000120] MIN TIN ON SOLDER LEAD, ALL OVER 1.27µm [.000050] MIN NICKEL UNDERPLATE.
- 3 ACTUAL HOLE SIZE USED WILL DEPEND ON TRACE ROUTING REQUIREMENTS BETWEEN HOLES AND CONNECTOR PLACEMENT TECHNIQUE.



P.C. BOARD MOUNTING DIMENSIONS  
(CONNECTOR SIDE)



Y	37.21 [1.465]	15.24 [.600]	19.46 [.766]	27.05 [1.065]	31.24 [1.230]	26	1888608-1
PWB PATTERN	R	P	N	M	L	NO. OF POSN	PART NO.

THIS DRAWING IS A CONTROLLED DOCUMENT.		DWN BY MCMMASTER 29AUG06	Tyco Electronics Corporation Harrisburg, PA 17105-3608
DIMENSIONS: mm [INCHES]		CHK BY S. SHUEY 29AUG06	
TOLERANCES UNLESS OTHERWISE SPECIFIED:		APP'D BY S. SHUEY 29AUG06	NAME
0 PLC	± -	PRODUCT SPEC	RECEPTACLE ASSEMBLY, SHIELDED, VERTICAL, RAILED, AMPLIMITE .050 Series
1 PLC	± -	APPLICATION SPEC	SIZE CAGE CODE DRAWING NO RESTRICTED TO
2 PLC	± 0.12[.005]	WEIGHT	A1 00779 ©=1888608
3 PLC	± -	CUSTOMER DRAWING	SCALE 4:1 SHEET 1 OF 1 REV C
4 PLC	± -		
ANGLES	± -		
FINISH			