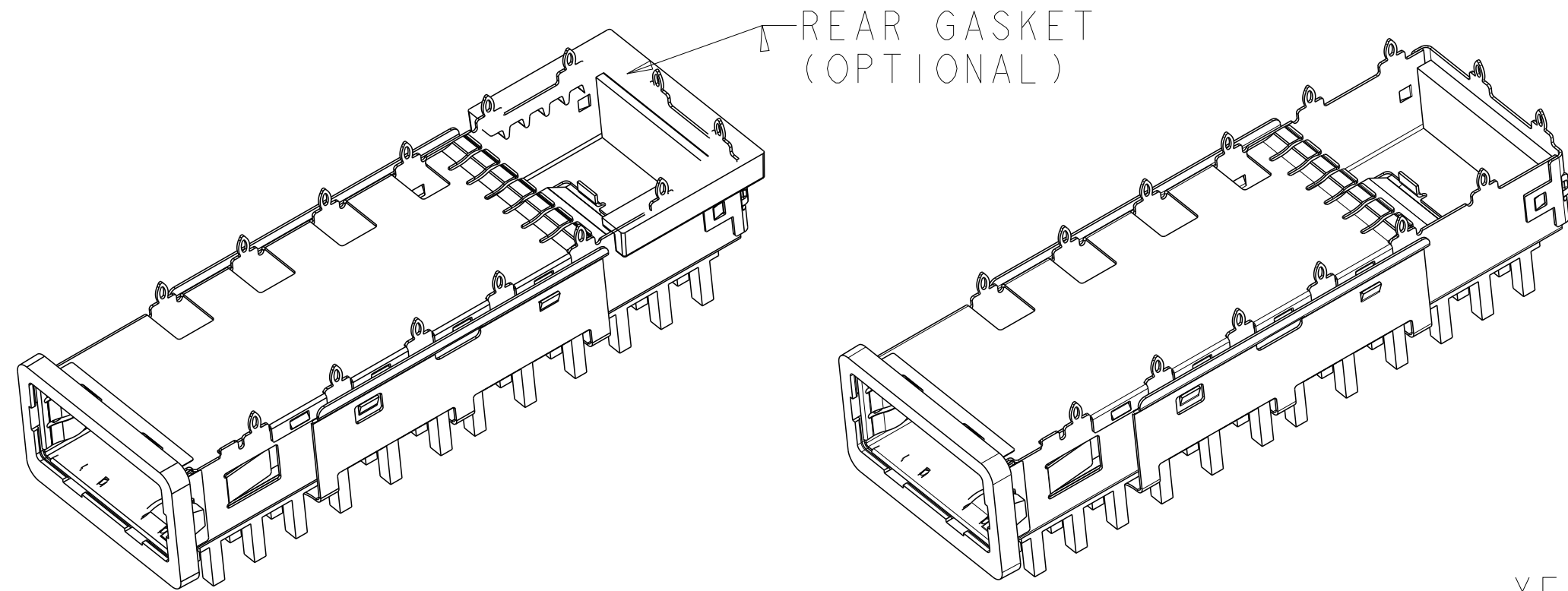


THIS DRAWING IS UNPUBLISHED. RELEASED FOR PUBLICATION 20
 © COPYRIGHT 20 BY - ALL RIGHTS RESERVED.

LOC	DIST	REVISIONS					
GP	00	P	LTR	DESCRIPTION	DATE	DWN	APVD
		C2		REV PER ECR-11-021282	19OCT2011	DZ	MQ.W
		D		REVISED PER ECO-12-016753	27SEP2012	JY	AC
		D1		REVISED PER ECO-16-004629	25MAR2016	PP	SH
		D3		ADD DIMENSION AND BOM	15NOV2018	IT	SH

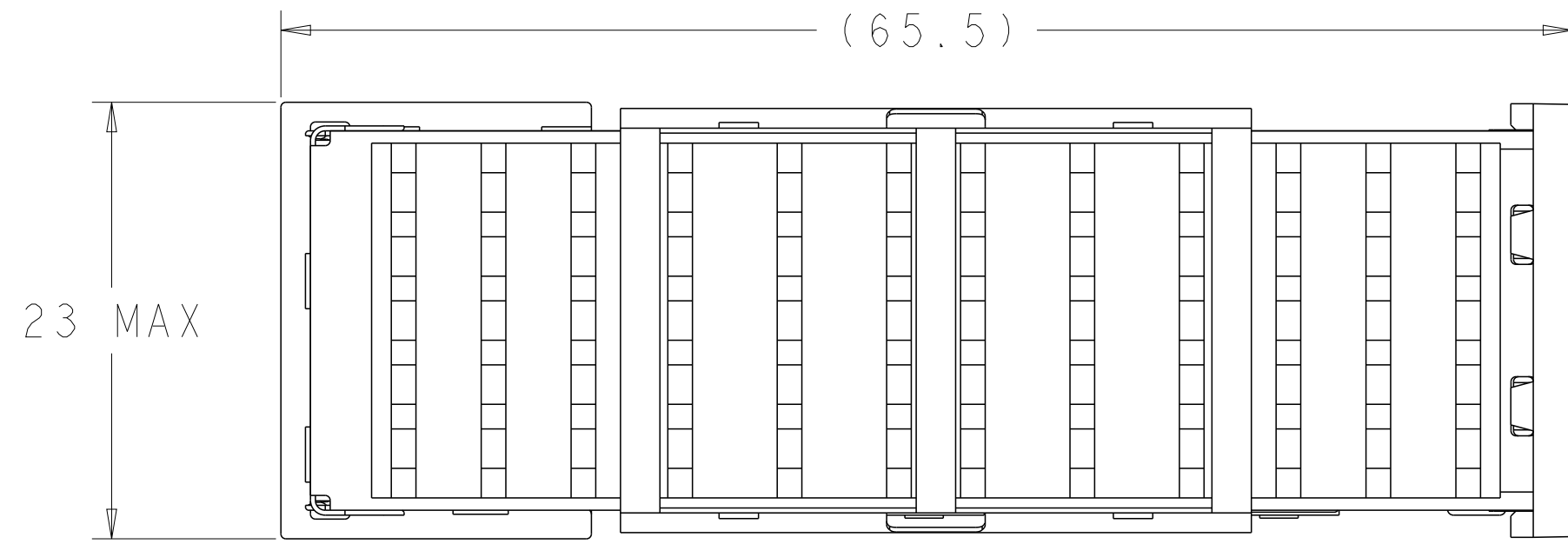


REAR GASKET (OPTIONAL)

- MATES WITH XFP MSA COMPLIANT TRANSCEIVERS.
- SEE COMPONENT DRAWINGS FOR COMPONENT DIMENSIONS AND INFORMATION.

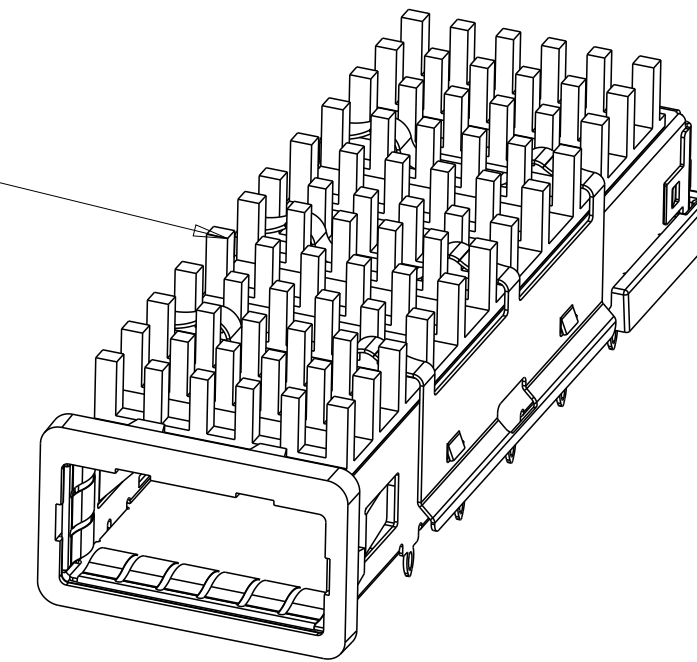
1888116-1/2/3/4
SCALE 2:1

1888116-5
SCALE 2:1

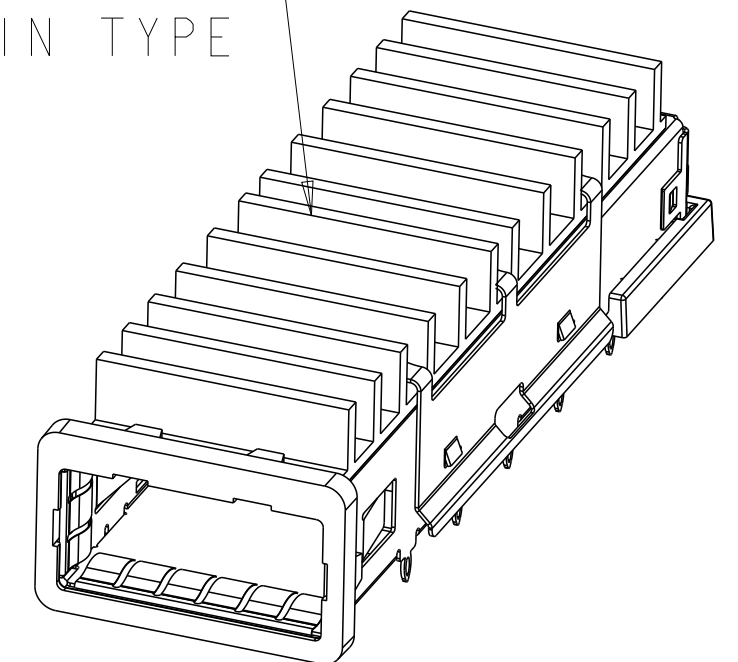


XFP HEAT SINK PIN TYPE

XFP HEAT SINK FIN TYPE



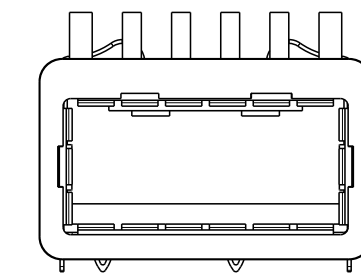
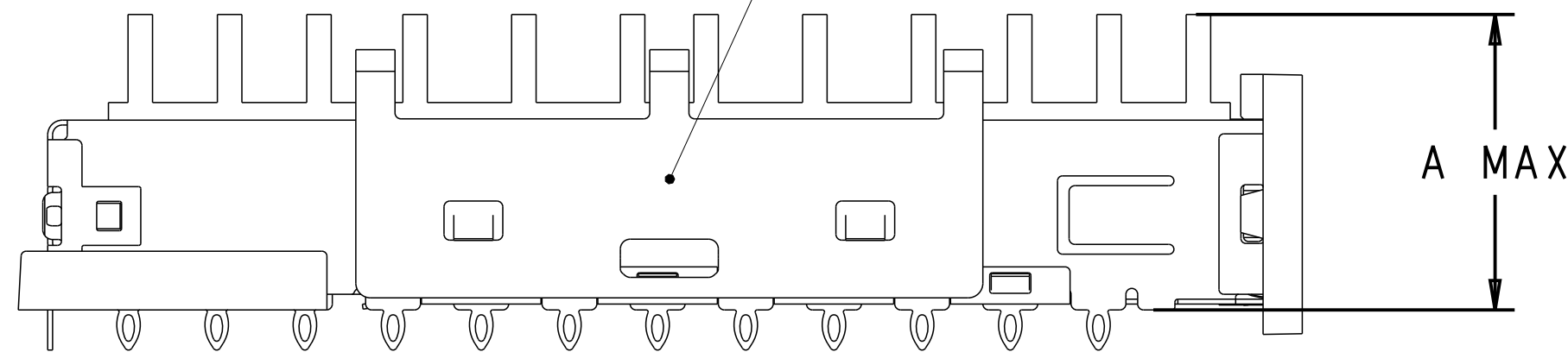
1888116-1, -2, -5
SCALE 2:1



1888116-3, -4
SCALE 2:1

XFP CAGE ASSEMBLY

XFP HEAT SINK CLIP



W/O	15.8	SAN	1888116-5
W/	13.6	PCI	1888116-4
W/	15.8	SAN	1888116-3
W/	13.6	PCI	1888116-2
W/	15.8	SAN	1888116-1
REAR GASKET	A MAX	APPLICATION	PART NUMBER

DIMENSIONS:		TOLERANCES UNLESS OTHERWISE SPECIFIED:		DWN		CHK		APVD		MATERIAL		FINISH		CUSTOMER DRAWING	
mm		0 PLC	±	J. GERACE	28NOV05	J. KOPPENHEFFER	28NOV05	M. WALMSLEY	28NOV05	-	-	-	-	-	-
		1 PLC	±							108-2127					
		2 PLC	±							114-13096					
		3 PLC	±												
		4 PLC	±												
		ANGLES	±												
		FINISH	±												

STE TE Connectivity

XFP KIT ASSEMBLY

SIZE	CAGE CODE	DRAWING NO	RESTRICTED TO
A2	00779	C-1888116	-

SCALE 1:1 SHEET 1 OF 1 REV D3