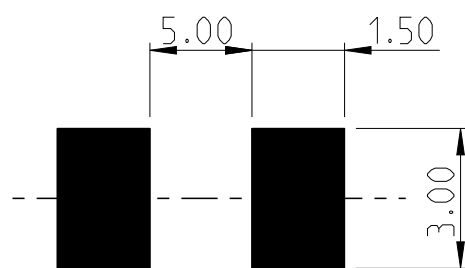
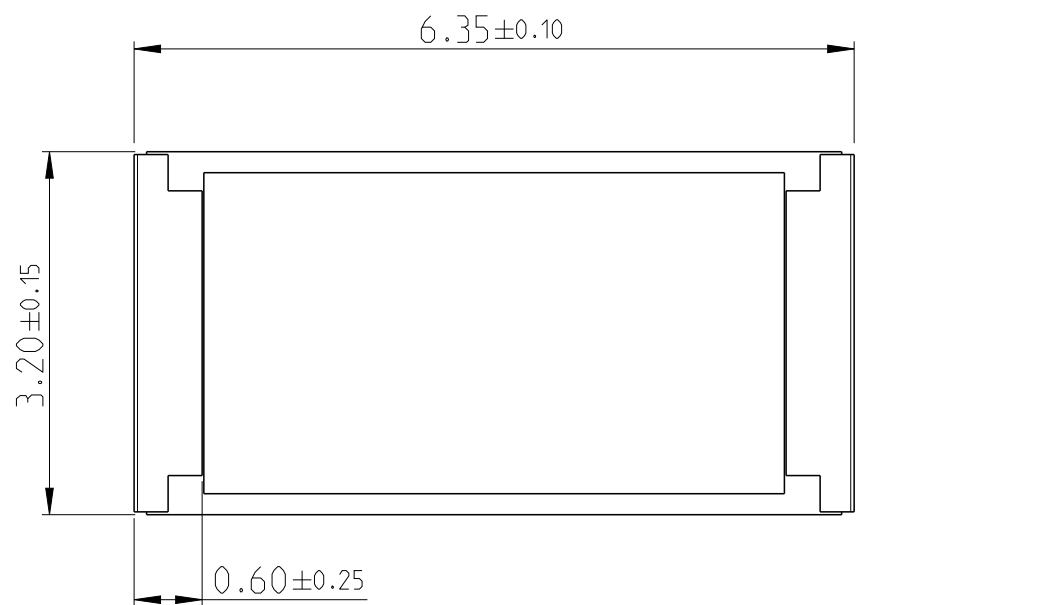


REVISIONS

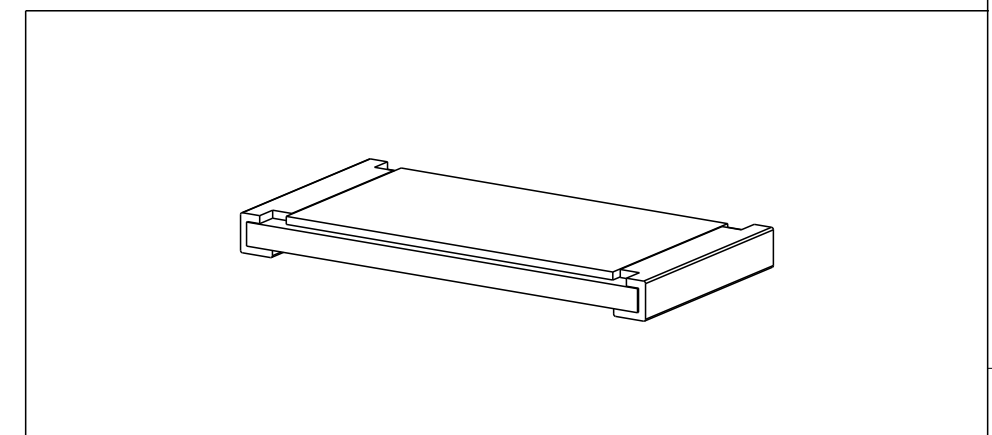
P	LTR	DESCRIPTION	DATE	DWN	APVD
	BC	ECR-16-000748	18JAN2016	KR	TN
	BC1	ECR-22-127236	21JAN2022	KS	TG

FOR FURTHER INFORMATION SEE PRODUCT SPECIFICATION FOR CRGH SERIES



PCB LAYOUT PLAN

RoHS Compliant




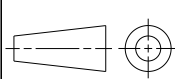
THIS DRAWING IS A CONTROLLED DOCUMENT.		DWN RAGHAVENDRA K 27 JUN 2012														
DIMENSIONS: mm		CHK ALLAN P 27 JUN 2012														
TOLERANCES UNLESS OTHERWISE SPECIFIED:		APVD TONY N 27 JUN 2012	NAME SMD POWER RESISTORS - TYPE CRGH2512 SERIES													
<table border="1"> <tr> <td>0 PLC</td> <td>±</td> </tr> <tr> <td>1 PLC</td> <td>±0.5</td> </tr> <tr> <td>2 PLC</td> <td>±0.13</td> </tr> <tr> <td>3 PLC</td> <td>±0.013</td> </tr> <tr> <td>4 PLC</td> <td>±0.0001</td> </tr> <tr> <td>ANGLES</td> <td>±</td> </tr> </table>		0 PLC	±	1 PLC	±0.5	2 PLC	±0.13	3 PLC	±0.013	4 PLC	±0.0001	ANGLES	±	PRODUCT SPEC	-	
0 PLC	±															
1 PLC	±0.5															
2 PLC	±0.13															
3 PLC	±0.013															
4 PLC	±0.0001															
ANGLES	±															
MATERIAL		APPLICATION SPEC	-													
FINISH		WEIGHT	-													
-		SIZE A3		CAGE CODE 00779												
-		DRAWING NO C-1879523		RESTRICTED TO -												
CUSTOMER DRAWING			SCALE 40:1	SHEET 1 OF 1												
			REV BC1													

REVISIONS

P	LTR	DESCRIPTION	DATE	DWN	APVD
-		SEE SHEET 1	-	-	-

TCPN	PART DESCRIPTION	ALIAS
1879523-1	CRGH2512 1% 10R 2W	CRGH2512F10R
1879523-2	CRGH2512 1% 10R2 2W	CRGH2512F10R2
1879523-3	CRGH2512 1% 10R5 2W	CRGH2512F10R5
1879523-4	CRGH2512 1% 10R7 2W	CRGH2512F10R7
1879523-5	CRGH2512 1% 11R 2W	CRGH2512F11R
1879523-6	CRGH2512 1% 11R3 2W	CRGH2512F11R3
1879523-7	CRGH2512 1% 11R5 2W	CRGH2512F11R5
1879523-8	CRGH2512 1% 11R8 2W	CRGH2512F11R8
1879523-9	CRGH2512 1% 12R1 2W	CRGH2512F12R1
1-1879523-0	CRGH2512 1% 12R4 2W	CRGH2512F12R4
1-1879523-1	CRGH2512 1% 12R7 2W	CRGH2512F12R7
1-1879523-2	CRGH2512 1% 13R 2W	CRGH2512F13R
1-1879523-3	CRGH2512 1% 13R3 2W	CRGH2512F13R3
1-1879523-4	CRGH2512 1% 13R7 2W	CRGH2512F13R7
1-1879523-5	CRGH2512 1% 14R 2W	CRGH2512F14R
1-1879523-6	CRGH2512 1% 14R3 2W	CRGH2512F14R3
1-1879523-7	CRGH2512 1% 14R7 2W	CRGH2512F14R7
1-1879523-8	CRGH2512 1% 15R 2W	CRGH2512F15R
1-1879523-9	CRGH2512 1% 15R4 2W	CRGH2512F15R4
2-1879523-0	CRGH2512 1% 15R8 2W	CRGH2512F15R8
2-1879523-1	CRGH2512 1% 16R2 2W	CRGH2512F16R2
2-1879523-2	CRGH2512 1% 16R5 2W	CRGH2512F16R5
2-1879523-3	CRGH2512 1% 16R9 2W	CRGH2512F16R9
2-1879523-4	CRGH2512 1% 17R4 2W	CRGH2512F17R4
2-1879523-5	CRGH2512 1% 17R8 2W	CRGH2512F17R8
2-1879523-6	CRGH2512 1% 18R2 2W	CRGH2512F18R2
2-1879523-7	CRGH2512 1% 18R7 2W	CRGH2512F18R7
2-1879523-8	CRGH2512 1% 19R1 2W	CRGH2512F19R1
2-1879523-9	CRGH2512 1% 19R6 2W	CRGH2512F19R6
3-1879523-0	CRGH2512 1% 20R 2W	CRGH2512F20R

TCPN	PART DESCRIPTION	ALIAS
3-1879523-1	CRGH2512 1% 20R5 2W	CRGH2512F20R5
3-1879523-2	CRGH2512 1% 21R 2W	CRGH2512F21R
3-1879523-3	CRGH2512 1% 21R5 2W	CRGH2512F21R5
3-1879523-4	CRGH2512 1% 22R1 2W	CRGH2512F22R1
3-1879523-5	CRGH2512 1% 22R6 2W	CRGH2512F22R6
3-1879523-6	CRGH2512 1% 23R2 2W	CRGH2512F23R2
3-1879523-7	CRGH2512 1% 23R7 2W	CRGH2512F23R7
3-1879523-8	CRGH2512 1% 24R3 2W	CRGH2512F24R3
3-1879523-9	CRGH2512 1% 24R9 2W	CRGH2512F24R9
4-1879523-0	CRGH2512 1% 25R5 2W	CRGH2512F25R5
4-1879523-1	CRGH2512 1% 26R1 2W	CRGH2512F26R1
4-1879523-2	CRGH2512 1% 26R7 2W	CRGH2512F26R7
4-1879523-3	CRGH2512 1% 27R4 2W	CRGH2512F27R4
4-1879523-4	CRGH2512 1% 28R 2W	CRGH2512F28R
4-1879523-5	CRGH2512 1% 28R7 2W	CRGH2512F28R7
4-1879523-6	CRGH2512 1% 29R4 2W	CRGH2512F29R4
4-1879523-7	CRGH2512 1% 30R1 2W	CRGH2512F30R1
4-1879523-8	CRGH2512 1% 30R9 2W	CRGH2512F30R9
4-1879523-9	CRGH2512 1% 31R6 2W	CRGH2512F31R6
5-1879523-0	CRGH2512 1% 32R4 2W	CRGH2512F32R4
5-1879523-1	CRGH2512 1% 33R2 2W	CRGH2512F33R2
5-1879523-2	CRGH2512 1% 34R 2W	CRGH2512F34R
5-1879523-3	CRGH2512 1% 34R8 2W	CRGH2512F34R8
5-1879523-4	CRGH2512 1% 35R7 2W	CRGH2512F35R7
5-1879523-5	CRGH2512 1% 36R5 2W	CRGH2512F36R5
5-1879523-6	CRGH2512 1% 37R4 2W	CRGH2512F37R4
5-1879523-7	CRGH2512 1% 38R3 2W	CRGH2512F38R3
5-1879523-8	CRGH2512 1% 39R2 2W	CRGH2512F39R2
5-1879523-9	CRGH2512 1% 40R2 2W	CRGH2512F40R2
6-1879523-0	CRGH2512 1% 41R2 2W	CRGH2512F41R2


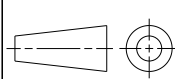
THIS DRAWING IS A CONTROLLED DOCUMENT.		DWN RAGHAVENDRA K 27 JUN 2012	 TE Connectivity	
DIMENSIONS: mm		CHK ALLAN P 27 JUN 2012		
		TOLERANCES UNLESS OTHERWISE SPECIFIED:	NAME SMD POWER RESISTORS - TYPE CRGH2512 SERIES	
MATERIAL		0 PLC ±-	-	
-		1 PLC ±0.5	-	
-		2 PLC ±0.13	-	
-		3 PLC ±0.013	-	
-		4 PLC ±0.0001	-	
-		ANGLES ±	-	
-		FINISH	-	
-		WEIGHT	-	
-		CUSTOMER DRAWING	-	
-		APVD TONY N 27 JUN 2012	-	
-		PRODUCT SPEC	-	
-		APPLICATION SPEC	-	
-		SIZE	CAGE CODE	DRAWING NO
-		A3	00779	©-1879523
-		RESTRICTED TO	-	
-		SCALE	SHEET	REV
-		40:1	1 OF 1	BC1

REVISIONS

P	LTR	DESCRIPTION	DATE	DWN	APVD
-		SEE SHEET 1	-	-	-

TCPN	PART DESCRIPTION	ALIAS
6-1879523-1	CRGH2512 1% 42R2 2W	CRGH2512F42R2
6-1879523-2	CRGH2512 1% 43R2 2W	CRGH2512F43R2
6-1879523-3	CRGH2512 1% 44R2 2W	CRGH2512F44R2
6-1879523-4	CRGH2512 1% 45R3 2W	CRGH2512F45R3
6-1879523-5	CRGH2512 1% 46R4 2W	CRGH2512F46R4
6-1879523-6	CRGH2512 1% 47R5 2W	CRGH2512F47R5
6-1879523-7	CRGH2512 1% 48R7 2W	CRGH2512F48R7
6-1879523-8	CRGH2512 1% 49R9 2W	CRGH2512F49R9
6-1879523-9	CRGH2512 1% 51R1 2W	CRGH2512F51R1
7-1879523-0	CRGH2512 1% 52R3 2W	CRGH2512F52R3
7-1879523-1	CRGH2512 1% 53R6 2W	CRGH2512F53R6
7-1879523-2	CRGH2512 1% 54R9 2W	CRGH2512F54R9
7-1879523-3	CRGH2512 1% 56R2 2W	CRGH2512F56R2
7-1879523-4	CRGH2512 1% 57R6 2W	CRGH2512F57R6
7-1879523-5	CRGH2512 1% 59R 2W	CRGH2512F59R
7-1879523-6	CRGH2512 1% 60R4 2W	CRGH2512F60R4
7-1879523-7	CRGH2512 1% 61R9 2W	CRGH2512F61R9
7-1879523-8	CRGH2512 1% 63R4 2W	CRGH2512F63R4
7-1879523-9	CRGH2512 1% 64R9 2W	CRGH2512F64R9
8-1879523-0	CRGH2512 1% 66R5 2W	CRGH2512F66R5

TCPN	PART DESCRIPTION	ALIAS
8-1879523-1	CRGH2512 1% 68R1 2W	CRGH2512F68R1
8-1879523-2	CRGH2512 1% 69R8 2W	CRGH2512F69R8
8-1879523-3	CRGH2512 1% 71R5 2W	CRGH2512F71R5
8-1879523-4	CRGH2512 1% 73R2 2W	CRGH2512F73R2
8-1879523-5	CRGH2512 1% 75R 2W	CRGH2512F75R
8-1879523-6	CRGH2512 1% 76R8 2W	CRGH2512F76R8
8-1879523-7	CRGH2512 1% 78R7 2W	CRGH2512F78R7
8-1879523-8	CRGH2512 1% 80R6 2W	CRGH2512F80R6
8-1879523-9	CRGH2512 1% 82R5 2W	CRGH2512F82R5
9-1879523-0	CRGH2512 1% 84R5 2W	CRGH2512F84R5
9-1879523-1	CRGH2512 1% 86R6 2W	CRGH2512F86R6
9-1879523-2	CRGH2512 1% 88R7 2W	CRGH2512F88R7
9-1879523-3	CRGH2512 1% 90R9 2W	CRGH2512F90R9
9-1879523-4	CRGH2512 1% 93R1 2W	CRGH2512F93R1
9-1879523-5	CRGH2512 1% 95R3 2W	CRGH2512F95R3
9-1879523-6	CRGH2512 1% 97R6 2W	CRGH2512F97R6
9-1879523-7	CRGH2512 1% 100R 2W	CRGH2512F100R
9-1879523-8	CRGH2512 1% 102R 2W	CRGH2512F102R
9-1879523-9	CRGH2512 1% 105R 2W	CRGH2512F105R

THIS DRAWING IS A CONTROLLED DOCUMENT.		DWN RAGHAVENDRA K 27 JUN 2012	 TE Connectivity	
DIMENSIONS: mm		CHK ALLAN P 27 JUN 2012		
		APVD TONY N 27 JUN 2012	NAME SMD POWER RESISTORS - TYPE CRGH2512 SERIES	
TOLERANCES UNLESS OTHERWISE SPECIFIED: 0 PLC ± 1 PLC ±0.5 2 PLC ±0.13 3 PLC ±0.013 4 PLC ±0.0001 ANGLES ±		PRODUCT SPEC -	APPLICATION SPEC -	
MATERIAL -		FINISH -	WEIGHT -	RESTRICTED TO -
CUSTOMER DRAWING			SCALE 40:1	SHEET 1 OF 1
			REV BC1	