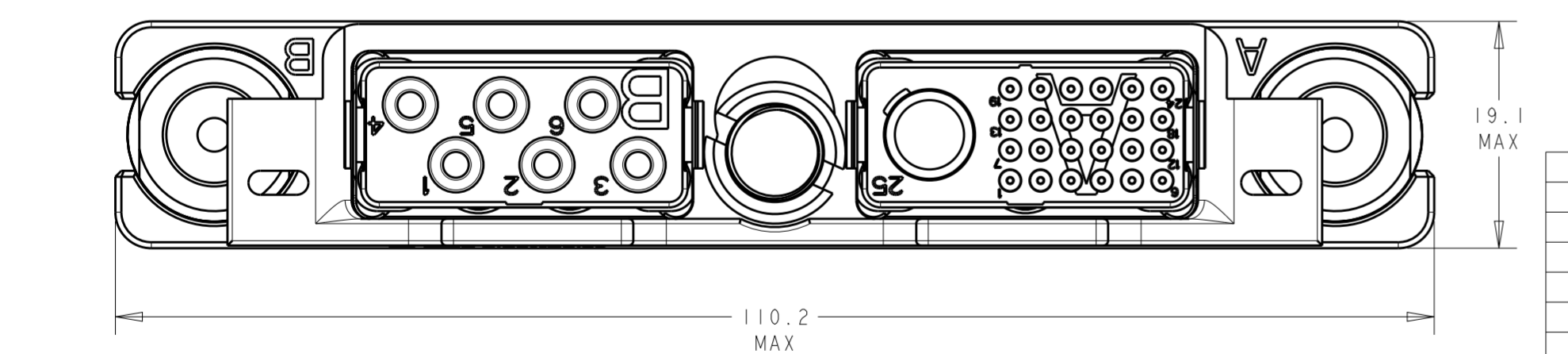
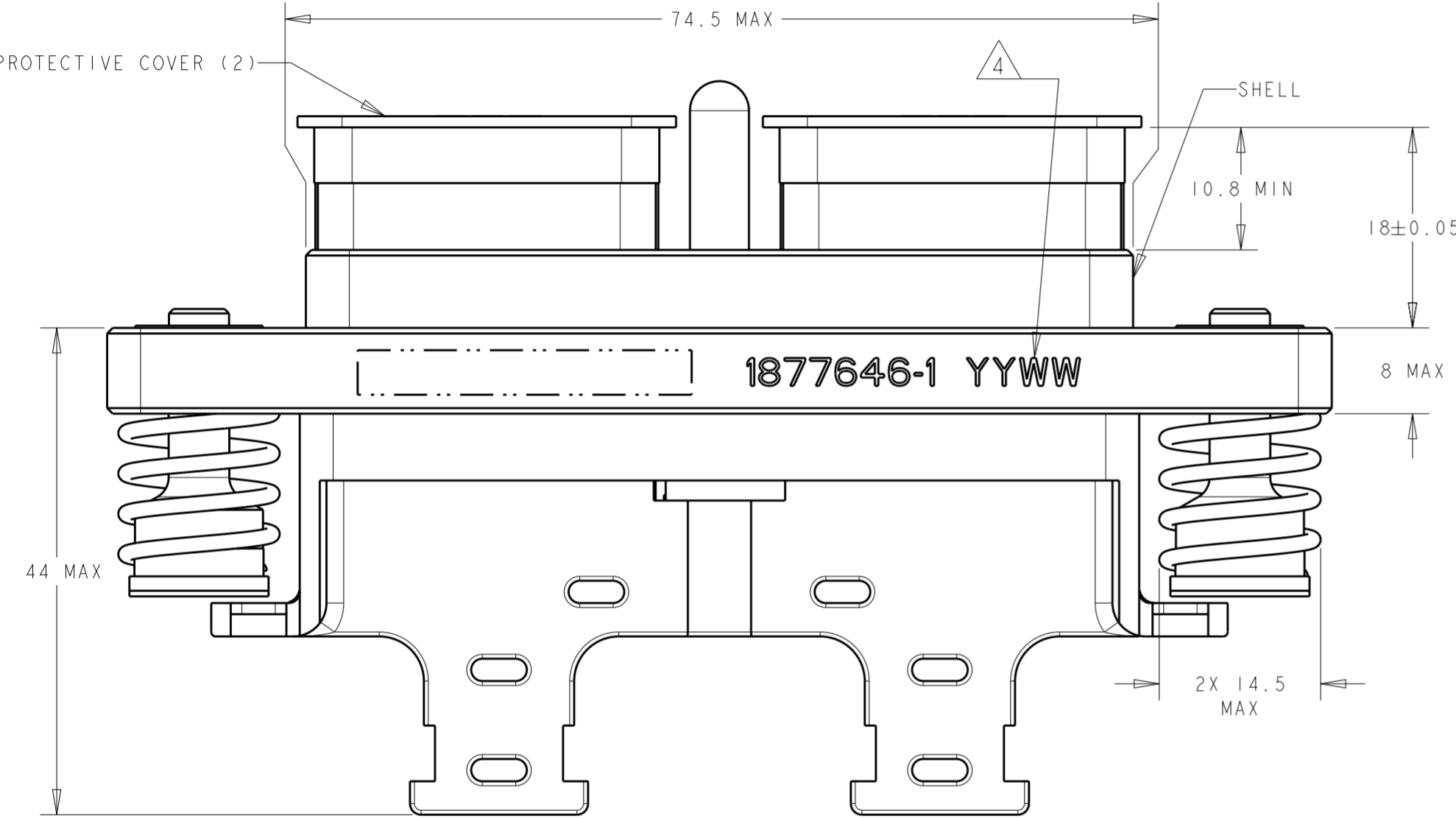
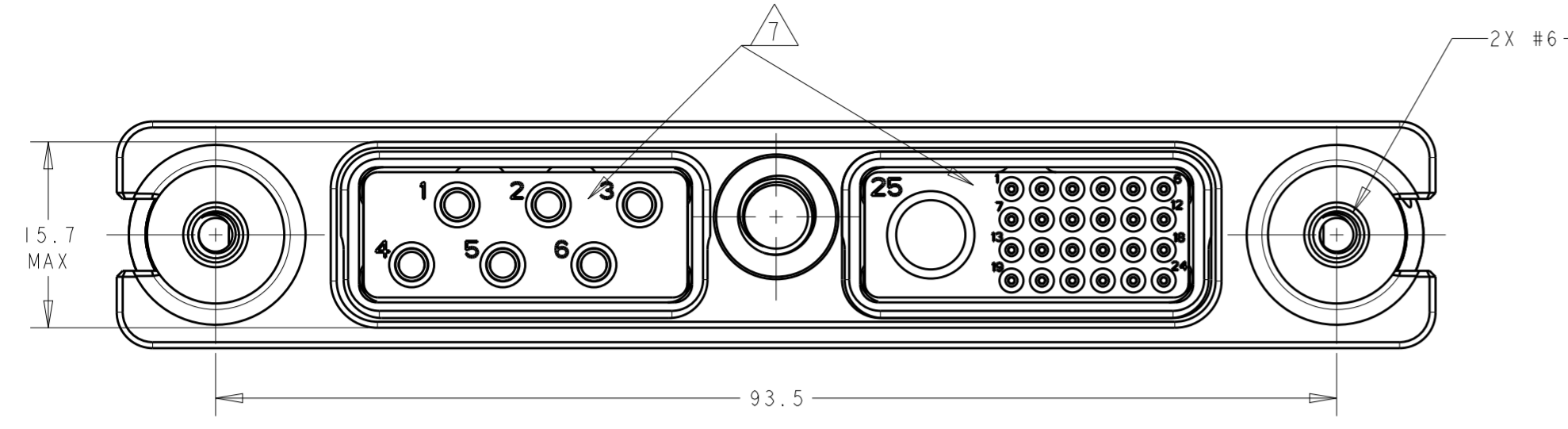
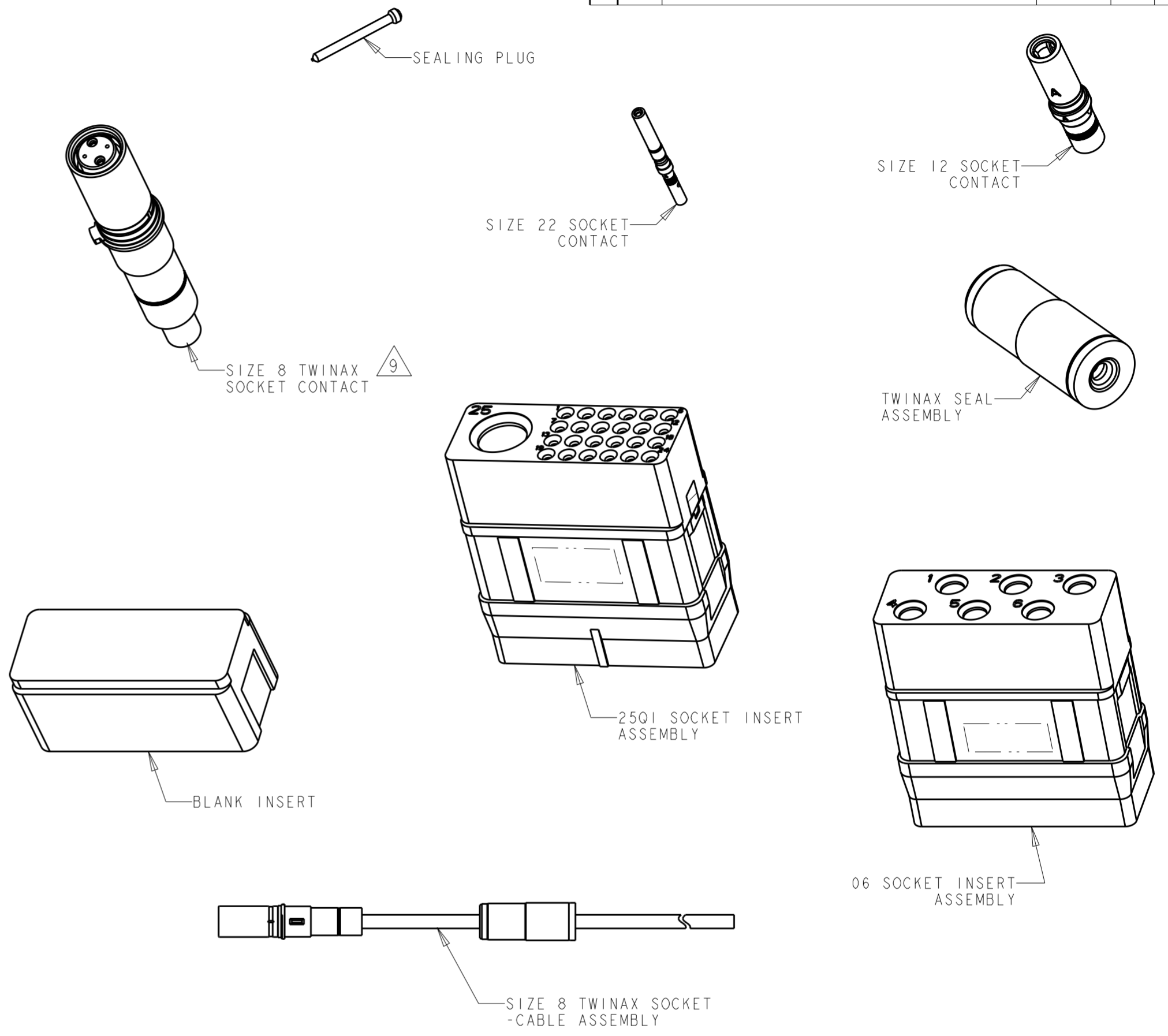


THIS DRAWING IS UNPUBLISHED. RELEASED FOR PUBLICATION 20
 © COPYRIGHT 20 BY - ALL RIGHTS RESERVED.

REVISIONS					
P	LTR	DESCRIPTION	DATE	DWN	APVD
12		REV PER ECO 18-017622	11-9-18	CT	CD



PART NUMBER 1877646-1 SHOWN



-	-		24	6	24	-	-				1877646-9
-			24	6	24		-				1877646-8
-			3	6	24		-				1877646-7
-			-	6	24		-				1877646-6
	-		-	6	24	-	-				1877646-5
-	-		9	6	15	-	-				1877646-4
-	-		-	6	-	-	-				1877646-3
-	-		-	6	-	-	-			-	1877646-2
-			9	6	15		-				1877646-1
CABLE ASSEMBLY SIZE 8 TWINAX SOCKET 2102215-2	SEAL ASSEMBLY TWINAX 1954046-1	STRAIN RELIEF KIT 1738313-1	SEALING PLUG 592104-4	SIZE 12 SOCKET CONTACT 1738018-1	SIZE 22 SOCKET CONTACT 1738008-1	SIZE 8 TWINAX SOCKET CONTACT KIT, 1811866-3	BLANK INSERT 1738085-1	06 SOCKET INSERT ASSEMBLY 1738104-1	2501 SOCKET INSERT ASSEMBLY 1811122-1	PLUG SHELL ASSEMBLY 1877070-2	PART NUMBER

THIS PRINT IS
PRELIMINARY
 UNQUALIFIED PRODUCT
 CONTACT PRODUCT ENGINEERING
 BEFORE USING THIS PRINT

THIS DRAWING IS A CONTROLLED DOCUMENT.

DIMENSIONS:	mm
TOLERANCES UNLESS OTHERWISE SPECIFIED:	
0 PLC	±0.2
1 PLC	±0.2
2 PLC	±0.2
3 PLC	±
4 PLC	±
ANGLES	±
FINISH	±
MATERIAL	2
	3

DWN	BW	14MAR2005	TE Connectivity
CHK	JPM	14MAR2005	
APVD	JPM	14MAR2005	
PRODUCT SPEC	-		
APPLICATION SPEC	-		NAME
WEIGHT	-		KIT, PLUG CONNECTOR, GAIN, GPRB2 2mm SQ. AIRCRAFT DATA NETWORK
CUSTOMER DRAWING	SCALE	2:1	SIZE
	SHEET	1	CAGE CODE
	OF	2	DRAWING NO
	REV	12	A200779
			C-1877646

THIS DRAWING IS UNPUBLISHED. RELEASED FOR PUBLICATION
 © COPYRIGHT - BY - ALL RIGHTS RESERVED.

REVISIONS				
P	LTR	DESCRIPTION	DATE	APVD
-	-	SEE SHEET 1	-	-

- THE PLUG CONNECTOR KITS CONSIST OF THE FOLLOWING ITEMS, WHICH ARE ALSO AVAILABLE SEPARATELY. THE QUANTITIES OF EACH ARE LISTED IN THE PART NUMBER TABLE.
 - 1877070-2 SOCKET SHELL ASSEMBLY (UNMARKED)
 - 1811122-1 SOCKET INSERT ASSEMBLY, 2501, KEY A - INSTALLED.
 - 1738104-1 SOCKET INSERT ASSEMBLY, 06, KEY B - INSTALLED.
 - 181866-3 SOCKET CONTACT, SIZE 8, TWINAX - NOT INSTALLED.
 - 1738008-1 SOCKET CONTACT, SIZE 22 - NOT INSTALLED.
 - 1738018-1 SOCKET CONTACT, SIZE 12 - NOT INSTALLED.
 - 592104-4 SEALING PLUG - NOT INSTALLED.
 - 1954046-1 SEAL ASSEMBLY, TWINAX - NOT INSTALLED.
 - 1738313-1 STRAIN RELIEF KIT - INSTALLED.
 - 1738085-1 BLANK INSERT - INSTALLED
 - 2102215-2 CABLE ASSEMBLY, SINGLE-ENDED, SOCKET CONTACT TO 120Ω TWINAXIAL CABLE-NOT INSTALLED

- PLUG SHELL ASSEMBLY:
 - SHELL: ALUMINUM ALLOY 6061 T651 PER SAE AMS-QQ-A-250
 - INSERT RETENTION CLIP: COPPER ALLOY PER ASTM B194
 - GUIDE PIN & MOUNTING POST: STAINLESS STEEL PER AISI 303
 - RETAINING NUT & SPRING: STAINLESS STEEL PER AISI 316
 - PROTECTIVE COVER: THERMOPLASTIC ELASTOMER

- 2501 SOCKET INSERT AND 06 SOCKET INSERT ASSEMBLY:
 - FRONT & REAR INSULATORS: HIGH-TEMP THERMOPLASTIC OR THERMOSET EPOXY PER ASTM D5948
 - CONTACT RETENTION CLIPS: STAINLESS STEEL PER AISI 302 OR COPPER ALLOY PER ASTM B194
 - REAR GROMMET: FLUOROSILICONE ELASTOMER PER MIL-R-25988 B EXCEPT 4.6.6.1

- BLANK INSERT: PEI THERMOPLASTIC PER ASTM D5205

- SIZE 22 SOCKET CONTACT AND SIZE 12 SOCKET CONTACTS:
 - CONTACT BODY: COPPER ALLOY PER ASTM B196
 - SLEEVE: STAINLESS STEEL PER AISI 305

- STRAIN RELIEF KIT:
 - SHROUD: PEI THERMOPLASTIC PER ASTM D5205
 - RETAINING NUT: STAINLESS STEEL PER AISI 316

- SIZE 8 TWINAX SOCKET ASSEMBLY:
 - HOOD: STAINLESS STEEL: PER AISI 305
 - OUTER SHELL BODY: COPPER ALLOY PER ASTM B196
 - FRONT AND REAR DIELECTRICS: HIGH-TEMP THERMOPLASTIC
 - SOCKET CONTACTS: COPPER ALLOY PER ASTM B197
 - CRIMP FERRULE: COPPER ALLOY PER ASTM B16

- SEAL ASSEMBLY:
 - SEAL SLEEVE: PPS THERMOPLASTIC PER ASTM D4067, COLOR: NATURAL.
 - SEAL BOOT: FLUOROSILICONE ELASTOMER PER SAE AMS-R-25988, EXCEPT 4.6.6.1.

- SEALING PLUG:
 - TEFLON PER MS27488.

- CABLE ASSEMBLY:
 - TWINAXIAL CABLE:
 - JACKET: MODIFIED FEP
 - SHIELD: COPPER, AWG 40
 - FILLERS: FEP
 - DIELECTRIC: RAYFOAM H
 - CONDUCTORS: HIGH-STRENGTH COPPER ALLOY, AWG 26: 7 STRANDS OF AWG 34
- SIZE 8 TWINAX SOCKET CONTACT ASSEMBLY: MATERIALS AS LISTED ABOVE
- SEAL ASSEMBLY: MATERIALS AS LISTED ABOVE

- SHELL: ELECTROLYTIC NICKEL PER SAE AMS QQ-N-290 OVER ELECTROLESS NICKEL PER SAE AMS-2404, CLASS 3.

- GUIDE PIN & MOUNTING POST: PASSIVATED

- SIZE 22 SOCKET AND SIZE 12 SOCKET CONTACT:
 - CONTACT BODY: 1.27µm MIN GOLD PER ASTM B488 OVER 2.54µm MIN NICKEL PER QQ-N-290 ON ENTIRE STOCK.
 - SLEEVE: PASSIVATED.

- SIZE 8 TWINAX SOCKET ASSEMBLY:
 - OUTER SHELL, PIN CONTACTS AND CRIMP FERRULE: 1.27µm MIN GOLD PER ASTM B488 OVER 1.27µm MIN NICKEL PER QQ-N-290 ON ENTIRE STOCK.
 - SLEEVE: PASSIVATED

- CABLE ASSEMBLY:
 - TWINAX CABLE:
 - SHIELD & CONDUCTORS: SILVER
 - SIZE 8 TWINAX SOCKET CONTACT ASSEMBLY: FINISHES AS LISTED ABOVE

- DATE CODE - YEAR & WEEK (YY WW)

- 6-32 SCREWS ARE REQUIRED FOR PANEL MOUNTING (NOT INCLUDED).
 - SCREW HEAD DIAMETER: 8.5mm MAX
 - RECOMMENDED TORQUE: 1.3 N-m [11.5 in-lb] MIN.

- 6-32 THREADED HOLES ARE SELF-LOCKING, HAVING THE SPIRALOCK® THREAD FORM. SPIRALOCK® IS A REGISTERED TRADEMARK OF SPIRALOCK CORPORATION.

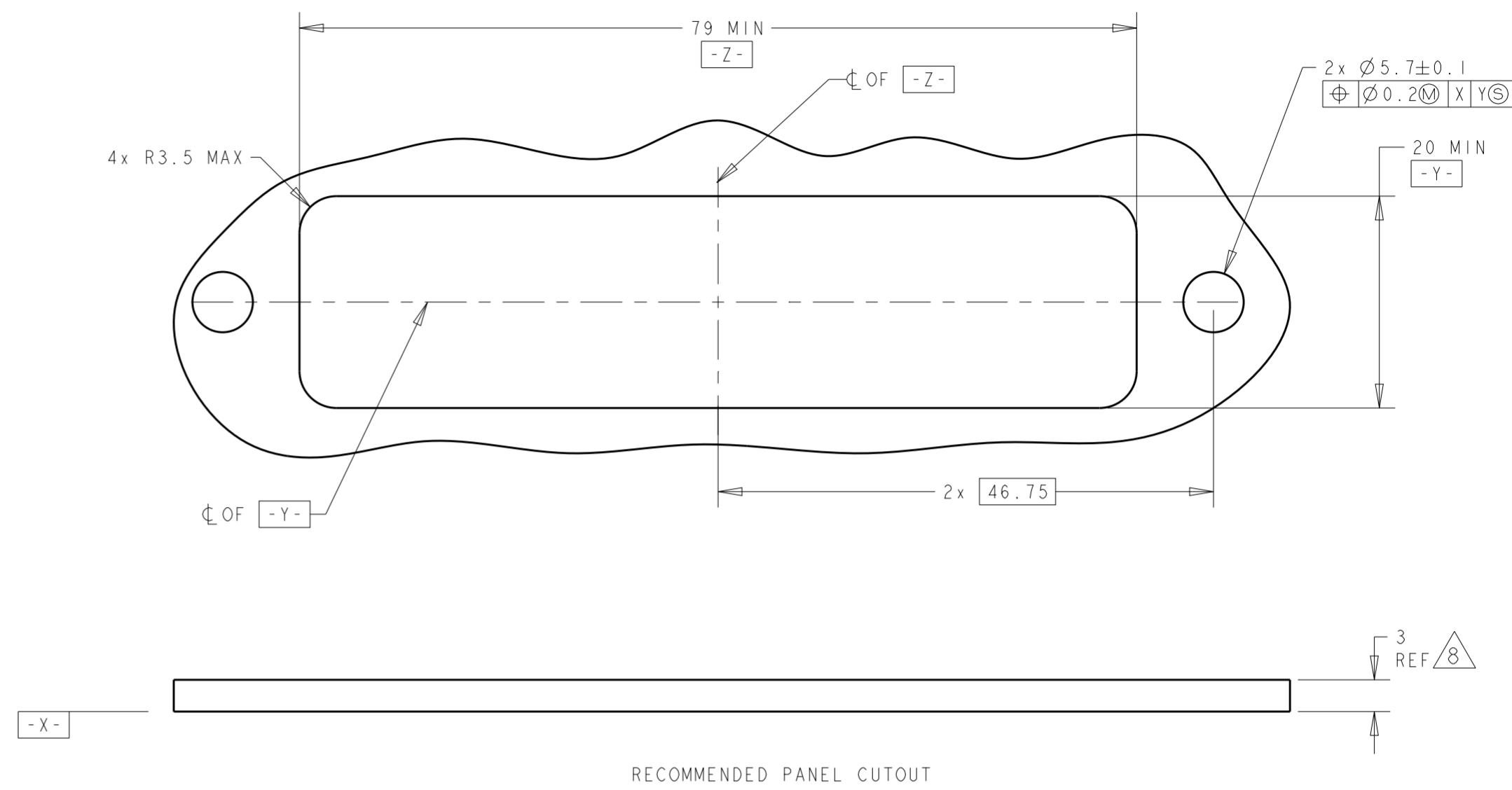
- THE PROTECTIVE COVERS ARE NOT SHOWN FOR CLARITY.

- PANEL THICKNESS: 4.06mm MAX.

- TWINAX CONTACT COMPONENTS ARE PACKAGED IN KIT FORM. THE CABLE MUST BE PURCHASED SEPARATELY.

- TOTAL LATERAL FLOAT: Ø4mm (±2mm)
- REQUIRED AXIAL DISPLACEMENT IN THE MATING DIRECTION: 2.25±1mm

- THIS PRODUCT IS SOLD BY TYCO ELECTRONICS UNDER A LICENSE FROM RADIALL SA.



RECOMMENDED PANEL CUTOUT

THIS PRINT IS
PRELIMINARY
 UNQUALIFIED PRODUCT
 CONTACT PRODUCT ENGINEERING
 BEFORE USING THIS PRINT

THIS DRAWING IS A CONTROLLED DOCUMENT.		DWN BW	06 JAN 06	 TE Connectivity
		CHK JPM	06 JAN 06	
		APVD JPM	06 JAN 06	
		PRODUCT SPEC		
DIMENSIONS:				NAME
mm				KIT, PLUG CONNECTOR, GAIN, GPRB2
				2mm SQ, AIRCRAFT DATA NETWORK
				SIZE
				CAGE CODE
				DRAWING NO
				RESTRICTED TO
				A200779
				C-1877646
MATERIAL				SCALE
				2:1
				SHEET
				2 OF 2
				REV
				12
				CUSTOMER DRAWING