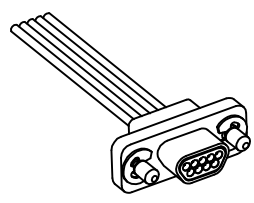
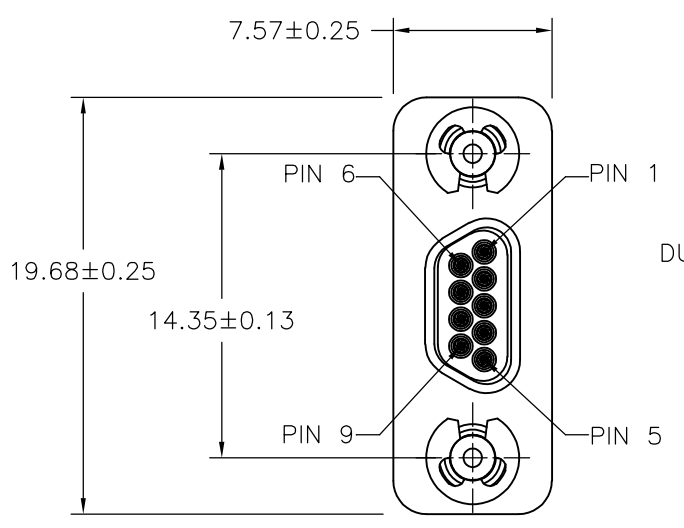


THIS DRAWING IS UNPUBLISHED. RELEASED FOR PUBLICATION  
 © COPYRIGHT BY TYCO ELECTRONICS CORPORATION. ALL INTERNATIONAL RIGHTS RESERVED.

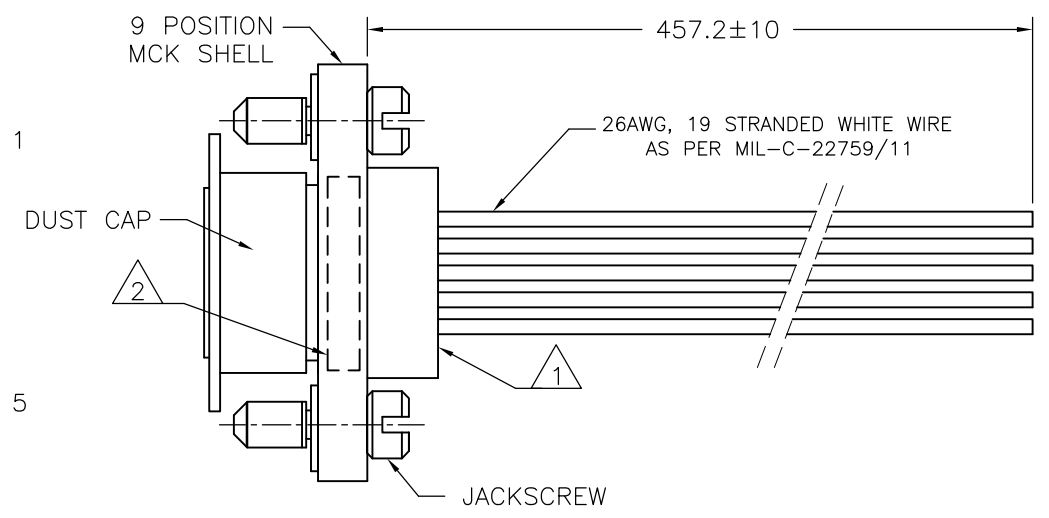
LOC	DIST	REVISIONS			
P	LTR	DESCRIPTION	DATE	DWN	APVD
—	—	A	NEW DRAWN	23/06/10	NH KS



1875847-1 AS SHOWN



CONTACT ARRANGEMENT AS SEEN FROM FACE VIEW OF PIN SIDE (DUST CAP NOT SHOWN)



- 1 MAXIMUM POTTING DONE UP TO HEIGHT OF THE SHELL PLUS 0.5mm
- 2 TE PN AND DATE CODE (YYWW) ARE PRINTED ON THE CONNECTOR SHELL.
- 3 SPECIFICATION:
  - a. ELECTRICAL:
    - CONTACT RESISTANCE : 25 MILLIVOLTS MAX. AT 3 AMPS
    - INSULATION RESISTANCE : 5000 MEGAOHMS MIN. AT 500 VDC AT AMBIENT ROOM TEMPERATURE
    - CURRENT RATING : 3 AMP MAX. PER CONTACT
  - b. MECHANICAL:
    - CONTACT ENGAGING FORCE : 2.22 N MAX. PER CONTACT
    - CONTACT SEPARATION FORCE : 0.14 N MIN. PER CONTACT
  - c. ENVIRONMENTAL:
    - OPERATING TEMPERATURE : -55° C TO +125° C
    - VIBRATION CHARACTERISTICS : PER MIL-STD-1344, METHOD 2005, TEST CONDITION IV
- 4 MATERIAL:
  - SHELL : ALUMINUM ALLOY 6061 T6 GRADE.
  - CONTACT : BeCu.
  - BUSHING : STAINLESS STEEL PER ASTM-A-582, TYPE 303, COND.A.
  - LOCKWASHER : PER MS35338-134 CRES
  - NUT : STAINLESS STEEL 300 SERIES, NON-MAGNETIC
- 5 FINISH:
  - SHELL : ELECTROLESS NICKEL PLATING PER MIL-C-26074, CLASS 4, GRADE A, 25-33 microns THICK.
  - CONTACT : GOLD PLATE PER MIL-G-45204, TYPE II, CLASS 1 EXPECT I.D. THICKNESS IS 0.000050 Min.
  - BUSHING : PASSIVATE PER QQ-P-35
  - LOCKWASHER : PASSIVATED
  - NUT : PASSIVATED

1875847-1	MCK-N1-LM-9P6G1-18.0
TE PN	DESCRIPTION

THIS DRAWING IS A CONTROLLED DOCUMENT.		DWN 23JUN2010 NIRANJAN HEGDE	Tyco Electronics Corporation ADM, Bangalore, INDIA	
DIMENSIONS: mm		CHK 23JUN2010 SHIVAPRAKASH K R		
TOLERANCES UNLESS OTHERWISE SPECIFIED:		APVD 23JUN2010 KARTHIK S	NAME MCK-9 PIN FLYING LEAD ASSEMBLY	
0 PLC ± - 1 PLC ± - 2 PLC ± - 3 PLC ± - 4 PLC ± - ANGLES ± -		PRODUCT SPEC -	SIZE A3	
MATERIAL 4		FINISH 5	CAGE CODE SDX74	DRAWING NO C-1875847
-		WEIGHT -	RESTRICTED TO -	
CUSTOMER DRAWING			SCALE NTS	SHEET 1 OF 1
			REV A	