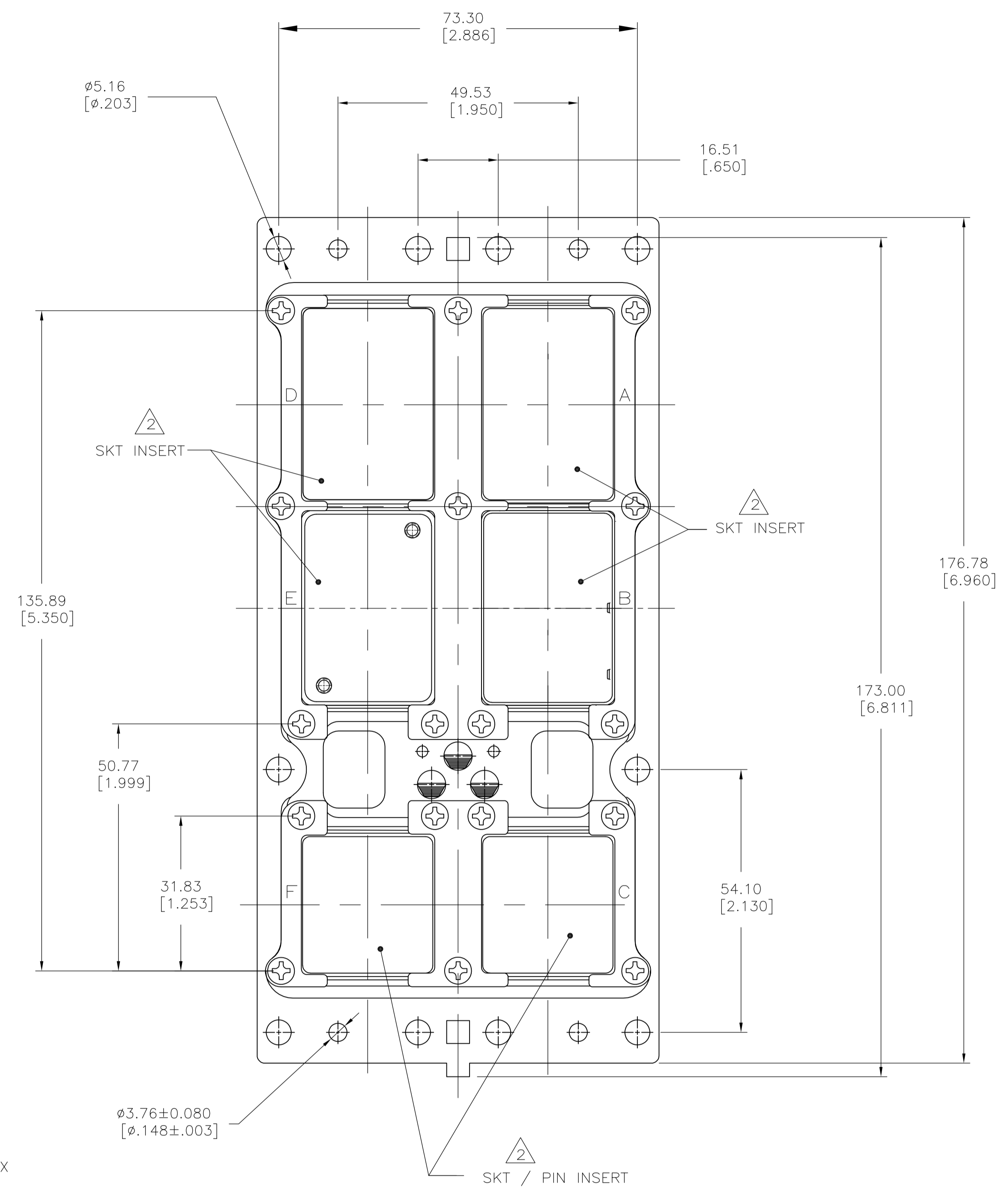
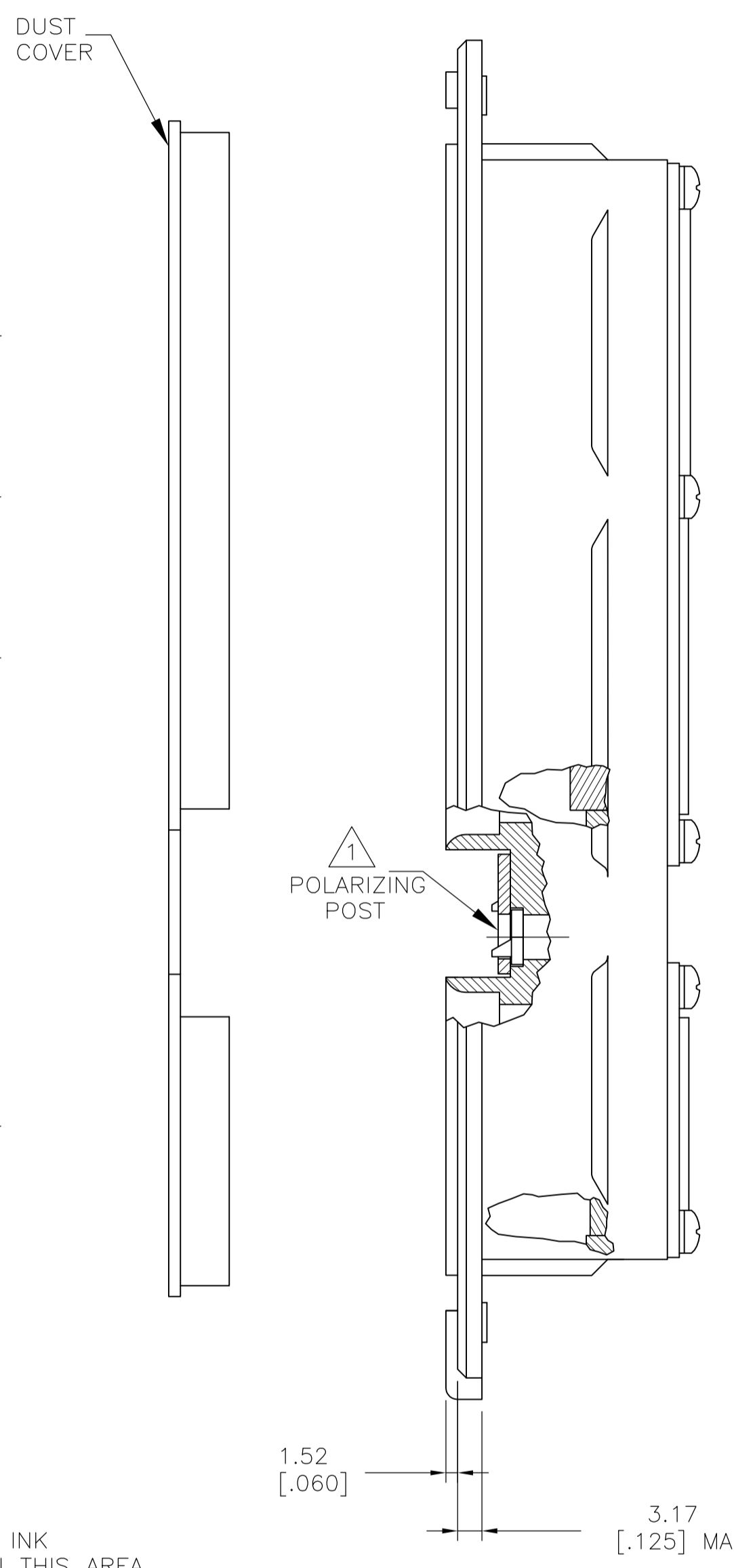
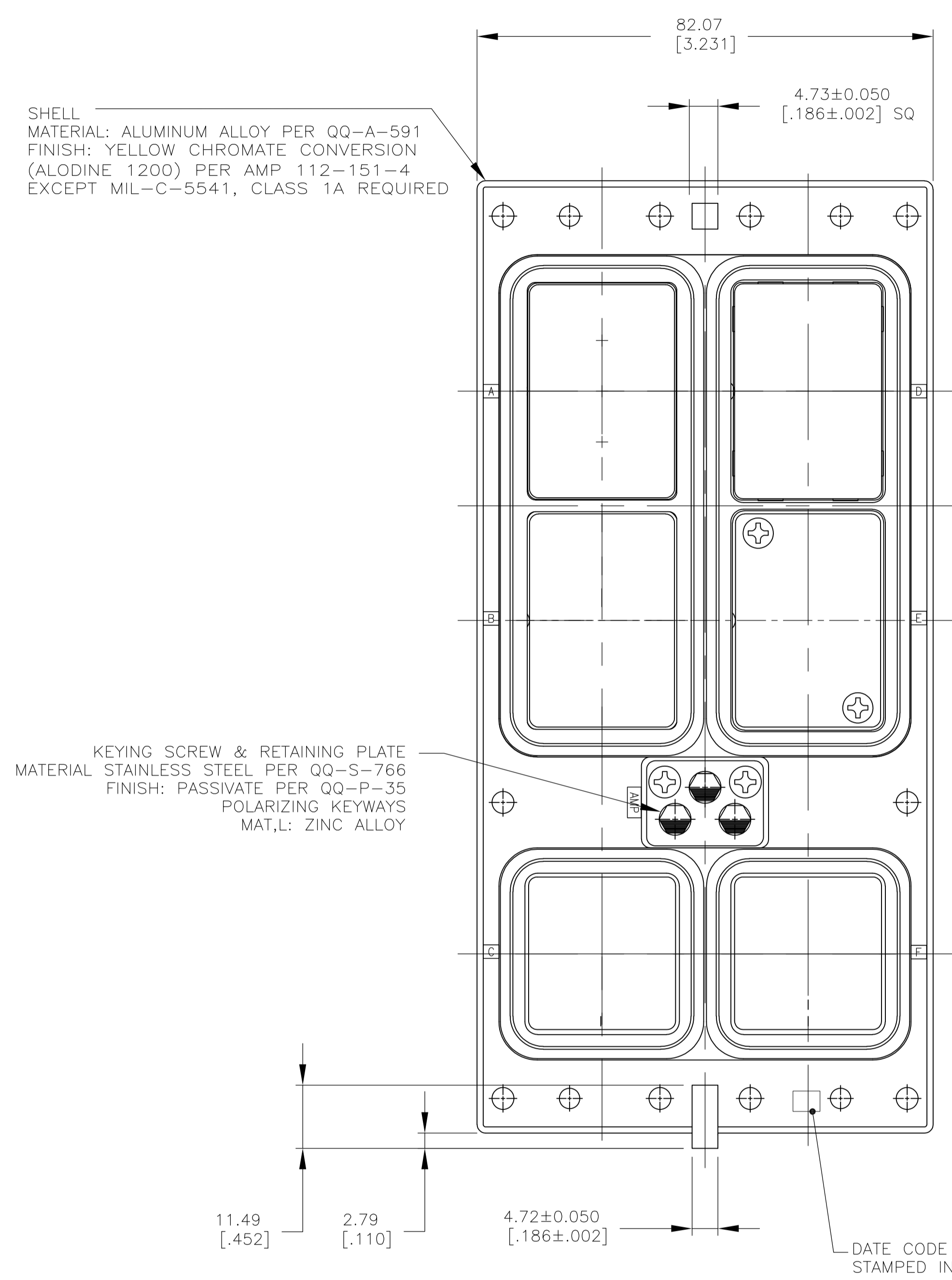


LOC		DIST		REVISIONS			
P	LTR	DESCRIPTION	DATE	DWN	APVD		
C		ECR-12-007591	9MAY2012	NH	SK		



- NOTES:
- 1 KEYING SHOWN IN POSITION "01" FOR ILLUSTRATION ONLY. ASSEMBLY KEYING IN POSITION AS PER TABLE IN DRAWING 204014 AND KEYING CODE AS PER TABLE SHOWN
 - 2 FOR INSERT POSITION REFER SHEET 2
 - 3 REFER SHEET3 FOR INSERT (MATING FACE VIEW SHOWN) VIEW
 - 4 CONTACTS ARE PACKED IN SEPARATE BAGS

1	175	1875132-4
1	127	1875132-3
1	144	1875132-2
1	68	1875132-1
KEYING CODE		P/N

THIS DRAWING IS A CONTROLLED DOCUMENT.

DWN: PRAKASH S
 CHK: SHIVAPRAKASH K R
 APVD: KARTHIK S

OSMAY06
 OSMAY06
 OSMAY06

NAME: ARINC 600, SIZE 3, RECEPTACLE ASSEMBLY

PRODUCT SPEC: -
 APPLICATION SPEC: -
 WEIGHT: -

SIZE: A1
 CAGE CODE: 00779
 DRAWING NO: 1875132

RESTRICTED TO: -

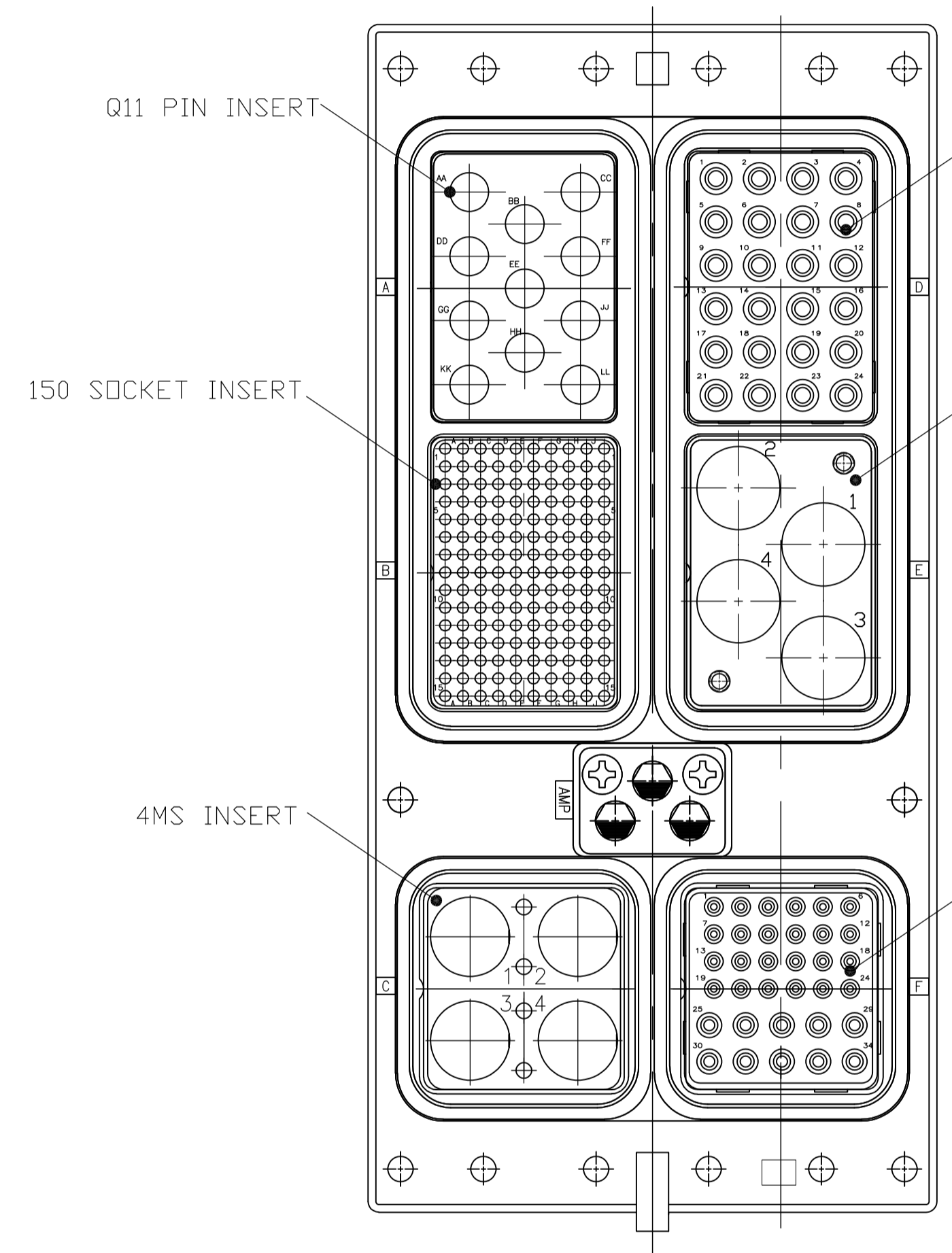
CUSTOMER DRAWING

SCALE: NTS

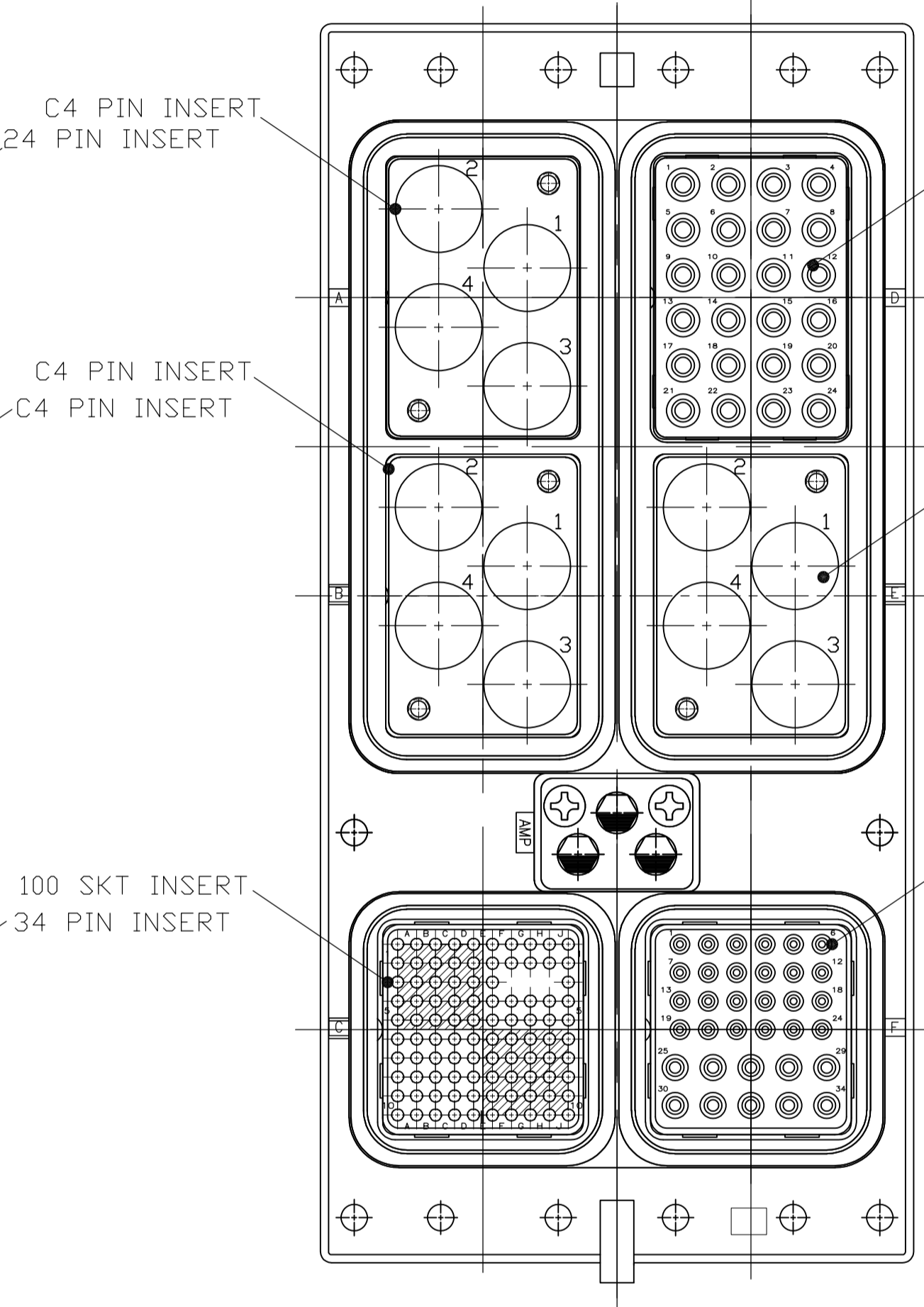
SHEET: 1 OF 2

REV: C

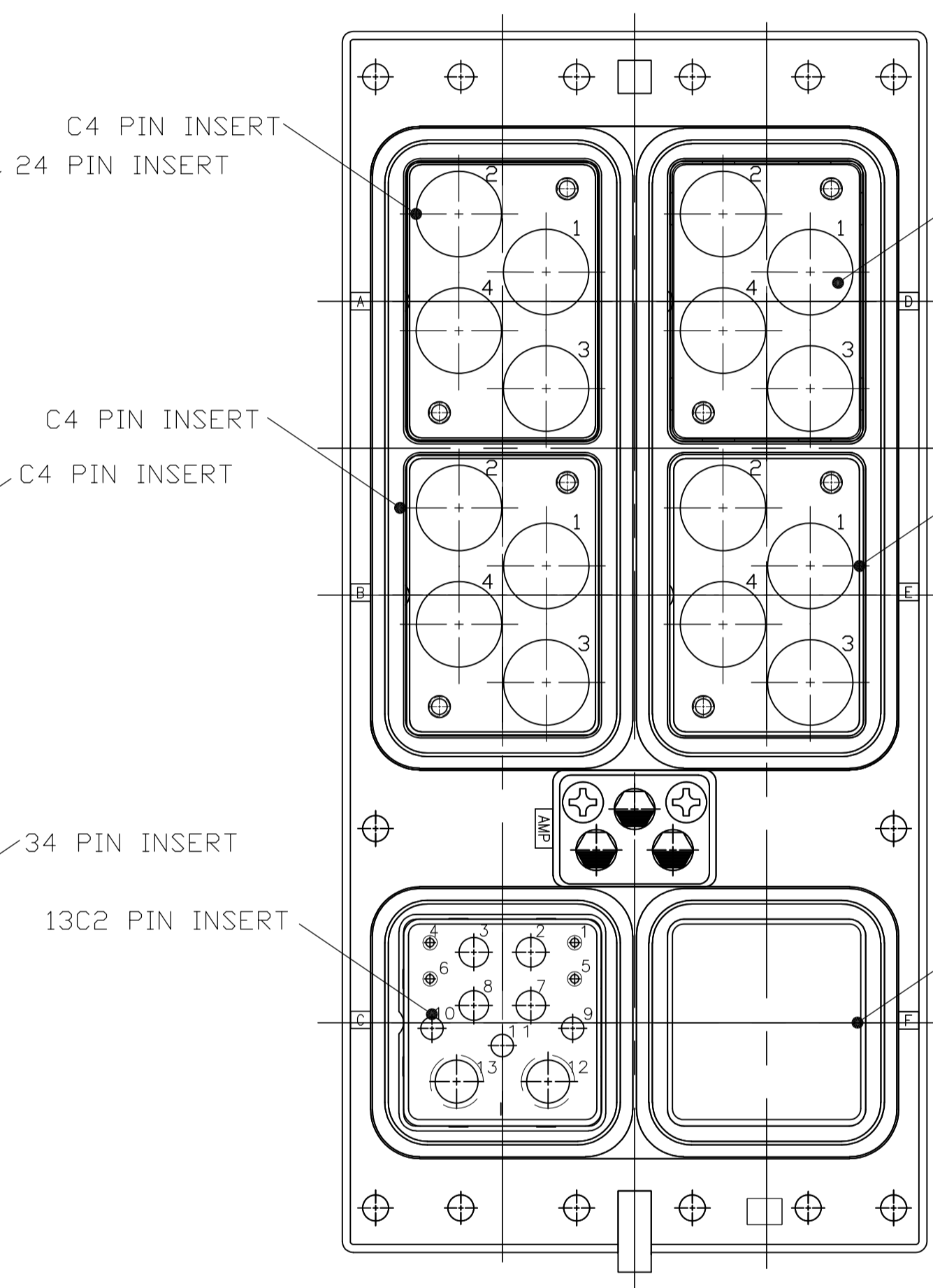
LOC		DIST		REVISIONS			
F	LTR	DESCRIPTION	DATE	DN	APVO		
-	-	SEE SHEET 1	-	-	-	-	-



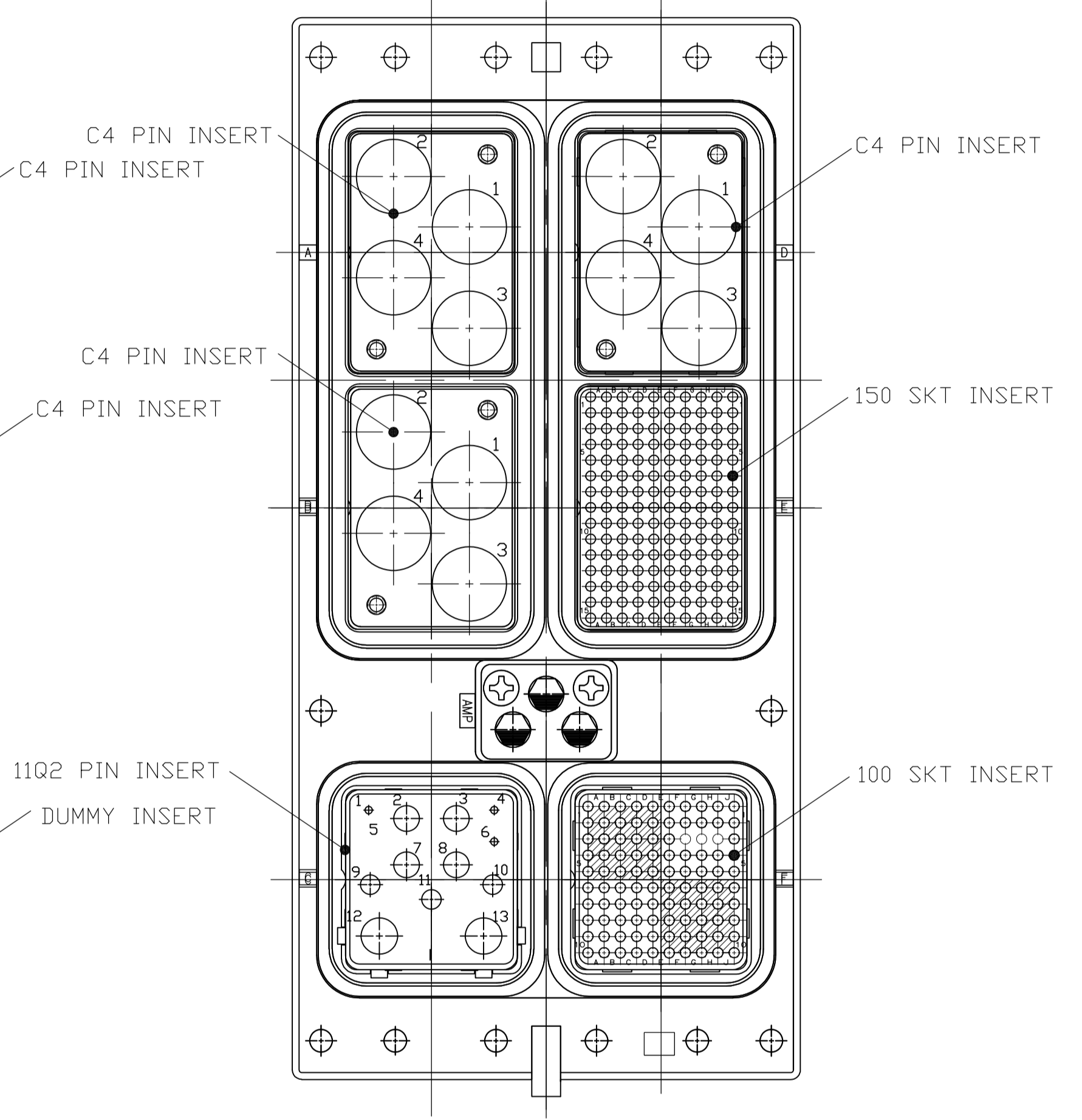
1875132-1



1875132-2



1875132-3



1875132-4

THIS DRAWING IS A CONTROLLED DOCUMENT.

DIMENSIONS: mm [INCHES]	TOLERANCES UNLESS OTHERWISE SPECIFIED:	DWG: PRAKASH S CHK: SHIVAPRAKASH K R APVO: KARTHIK S PRODUCT SPEC:	STE TE CONNECTIVITY ARINC 600, SIZE 3, RECEPTACLE ASSEMBLY
	0. PLC ± -	NAME:	
	1. PLC ± -	SIZE: A1	
	2. PLC ± -	CAGE CODE: 00779	
3. PLC ± -	OTHERWISE SPECIFIED: ± .005 [0.13]	DRAWING NO: 1875132	RESTRICTED TO:
4. PLC ± -	ANGLES ± -	WEIGHT: -	SCALE: NTS
MATERIAL: -	FINISH: -	CUSTOMER DRAWING	SHEET 2 OF 2