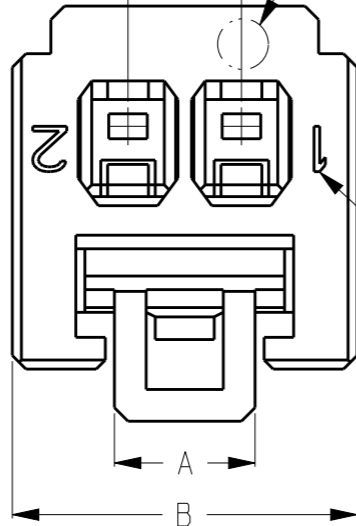


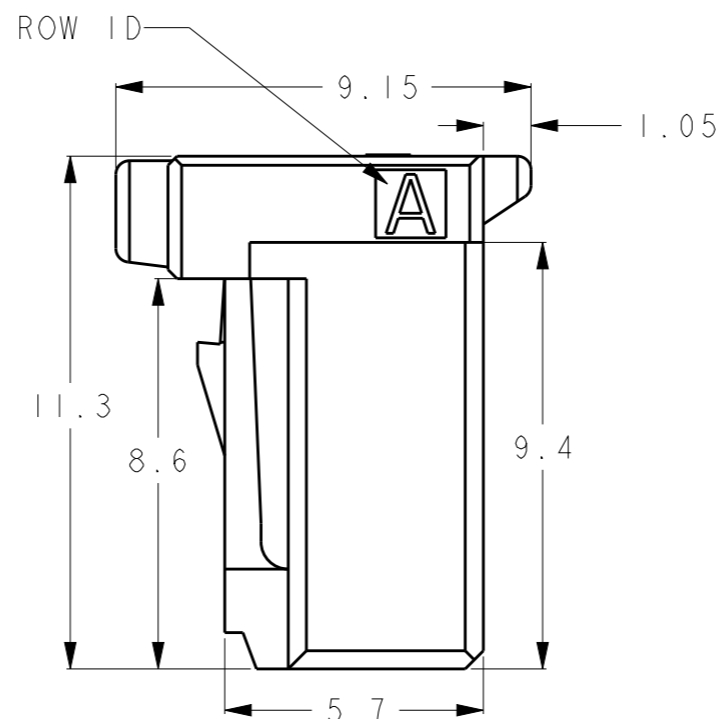
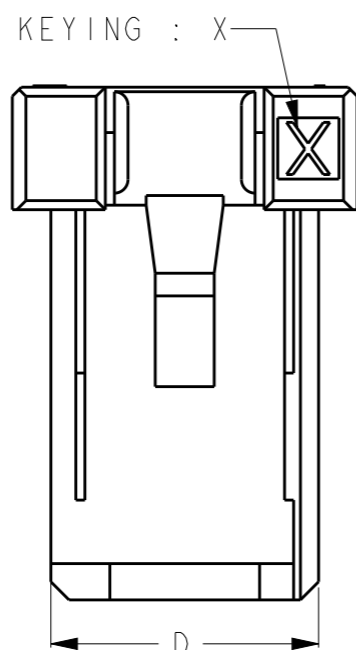
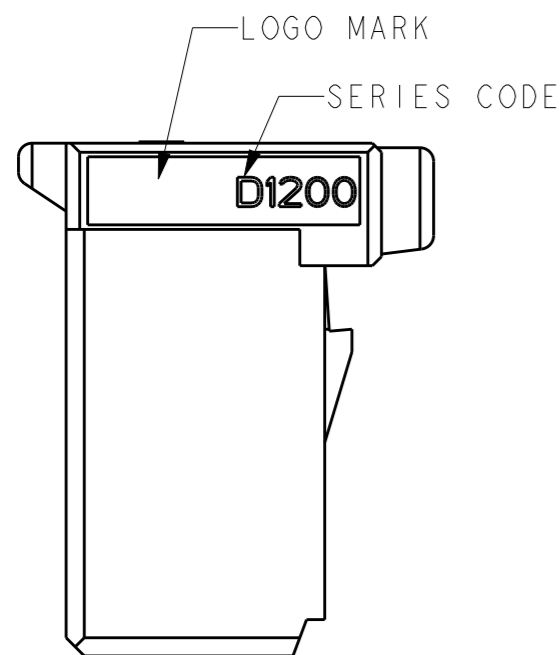
REVISIONS

P	LTR	DESCRIPTION	DATE	DWN	APVD
	B	REVISED PER ECR-10-007257	20APR2010	HMR	T.M
	C	REVISED	18OCT2019	K.T	E.I

2.5Xn=C CAVITY MARK (ALPHABET:CAPITAL LETTER)

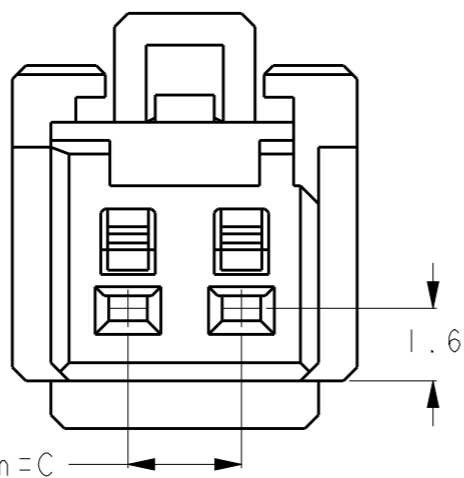


CIRCUIT NO.



- 1. MATERIAL: GLASS FILLED THERMO PLASTIC POLYESTER(94V-0)
- 2. THE SHAPE, SIZE AND POSITION OF THE CHARACTER SHOW THE OUTLINE. THEY DON'T SHOW DETAILS.
- 3. CONTAMINATION: Ø1.0 MAX.

- 1. 材料: ガラス入り熱可塑性ポリエステル樹脂(94V-0)
- 2. 文字の形状、大きさ、および位置については、大略を示すものであり、詳細を示すものではありません。
- 3. コンタミネーションは、Ø1.0mm以下であること。



2P: 1-1871465-2
8-1871465-2

NATURAL	2	1	3.1	7.6	2.5	5.9	8-1871465-2
BLACK	2	1	3.1	7.6	2.5	5.9	1-1871465-2
COLOR	POS.	n	A	B	C	D	PART No.

THIS DRAWING IS A CONTROLLED DOCUMENT.		DWN M. MAEBASHI 20JUN2005														
DIMENSIONS: mm		CHK T. KUDO 20JUN2005														
TOLERANCES UNLESS OTHERWISE SPECIFIED: ±0.3, ±3°		APVD D. MITSUGI 31AUG2005	NAME DYNAMIC D1200S 2.5mm PITCH													
<table border="1"> <tr> <td>Ø PLC</td> <td>±</td> </tr> <tr> <td>1 PLC</td> <td>±</td> </tr> <tr> <td>2 PLC</td> <td>±</td> </tr> <tr> <td>3 PLC</td> <td>±</td> </tr> <tr> <td>4 PLC</td> <td>±</td> </tr> <tr> <td>ANGLES</td> <td>±</td> </tr> </table>		Ø PLC	±	1 PLC	±	2 PLC	±	3 PLC	±	4 PLC	±	ANGLES	±	PRODUCT SPEC 108-78268	REC HSG 2POS	
Ø PLC	±															
1 PLC	±															
2 PLC	±															
3 PLC	±															
4 PLC	±															
ANGLES	±															
MATERIAL		APPLICATION SPEC 114-5377	SIZE A3	CAGE CODE 00779												
FINISH		WEIGHT	DRAWING NO C-1871465	RESTRICTED TO												
		CUSTOMER DRAWING	SCALE 6:1	SHEET 1 OF 1												
				REV C												