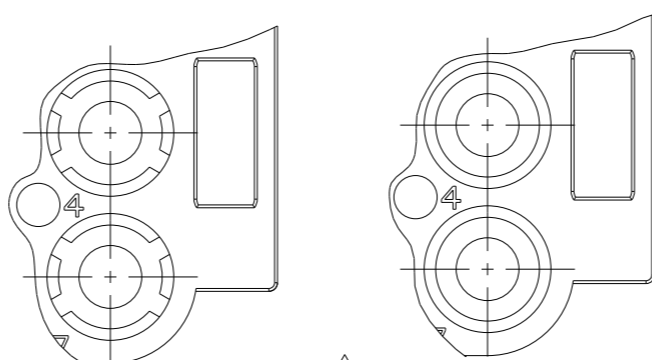
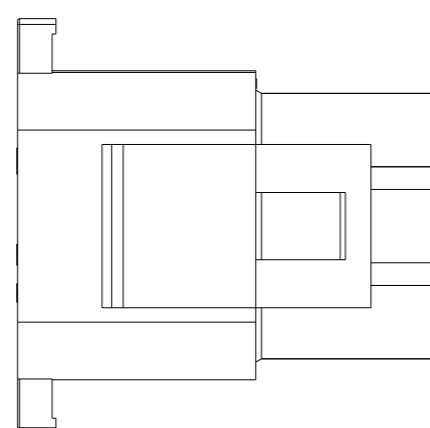
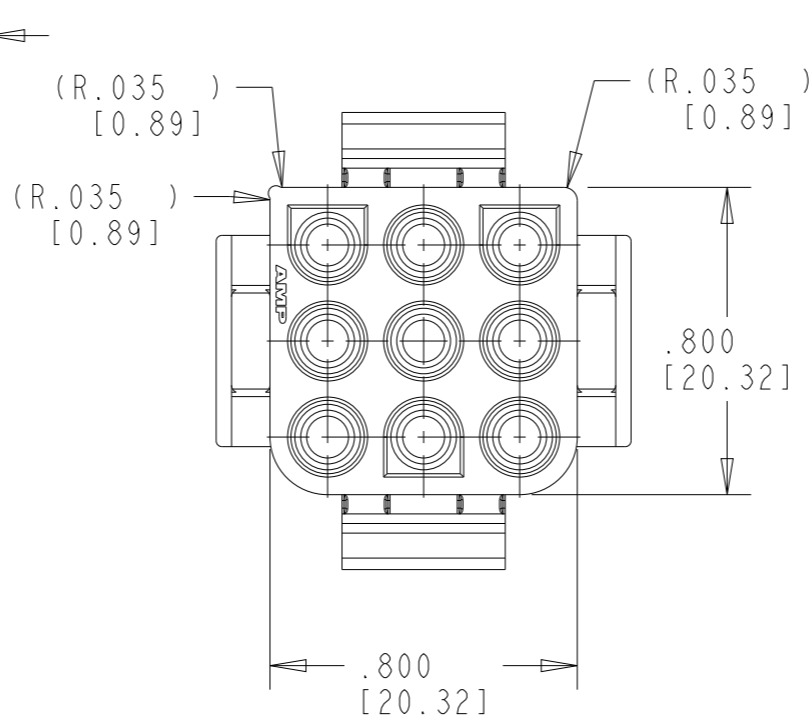
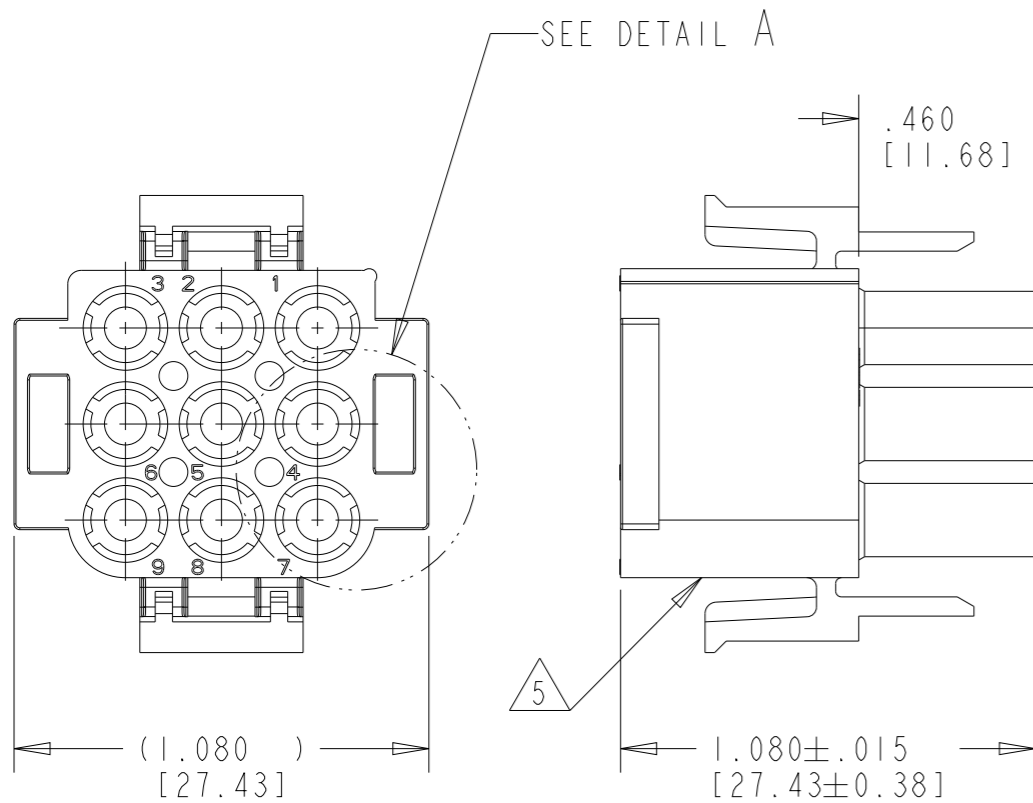


P	LTR	DESCRIPTION	DATE	DWN	APVD
A5		REVISED PER ECR-17-014951	16OCT2017	BDA	KR
B		REVISED PER ECR-24-218682	09SEP2024	AK	BR



DETAIL A
SCALE 3:1
OPTIONAL CONSTRUCTION

- MATES WITH APPROPRIATE UNIVERSAL MATE-N-LOCK CAP OR HEADER
- SMALL NICKS ARE PERMITTED ON THE CIRCUIT TOWERS WHICH COULD INCREASE THE INITIAL HOUSING MATING FORCE BY UPTO 4.4N [1.0 LBS]. NO INDIVIDUAL NICKED TOWER SHALL INCREASE THIS FORCE BY OVER 2.2N [.5LBS]
- DIMENSIONS SHOWN REPRESENT PRODUCT IN DRY, AS MOLDED, CONDITION. ADDITIONAL 2% GROWTH DUE TO SUBSEQUENT MOISTURE ABSORPTION MAY OCCUR AND SHOULD BE ACCOUNTED FOR.

4 FOUR RIBS EQUALLY SPACED, NO SPECIFIC ORIENTATION, NO RIBS OR SIX RIBS EQUALLY SPACED, NO SPECIFIC ORIENTATION, OPTIONAL

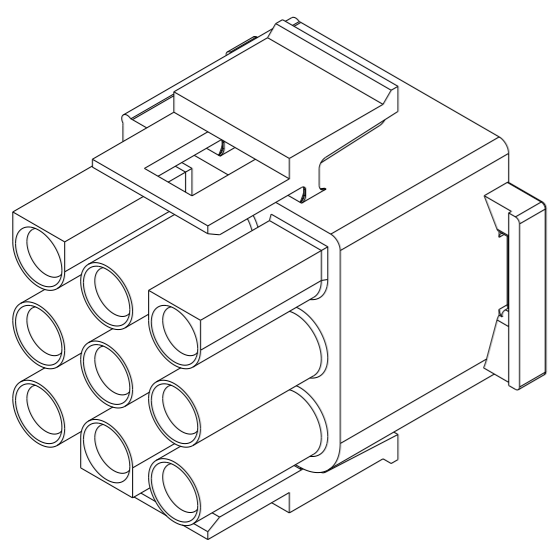
5 UNDERWRITERS RECOGNIZED COMPONENT LOGO AND CSA CERTIFICATION LOGO TO BE LOCATED ONCE ON EACH SIDE OF HOUSING

6 NYLON, UL94V-2

7 MATERIAL CORRESPONDING TO THE REQUIREMENTS OF IEC 60335 (INCL. GLOW WIRE TEST 750°C WITHOUT FLAME)

8 PRELIMINARY PART NOT RELEASED FOR PRODUCTION

7	NATURAL	PA66 UL94-V0 GWT 750°C	1-1863003-2	3
8	NATURAL	PA6 UL94-V0	1-1863003-1	2
7 6	NATURAL	PA6 UL94-V2	1863003-1	1
REMARK	COLOUR	MATERIAL	PART No	SL No



THIS DRAWING IS A CONTROLLED DOCUMENT.		DWN J. SALO 29NOV2007			
DIMENSIONS: INCH [mm]		CHK J. LAZARO 29NOV2007			
TOLERANCES UNLESS OTHERWISE SPECIFIED:		APVD L. BATLLO 29NOV2007	NAME 9P UMNL PLUG HOUSING		
 0 PLC ±- 1 PLC ±- 2 PLC ±0.13 [.005] 3 PLC ±- 4 PLC ±- ANGLES ±0.5° FINISH -		PRODUCT SPEC -	RESTRICTED TO -		
MATERIAL SEE TABLE		APPLICATION SPEC -	SIZE A3	CAGE CODE 00779	DRAWING NO C-1863003
-		WEIGHT -	SCALE 2:1		SHEET 1 OF 1
-		CUSTOMER DRAWING	REV B		