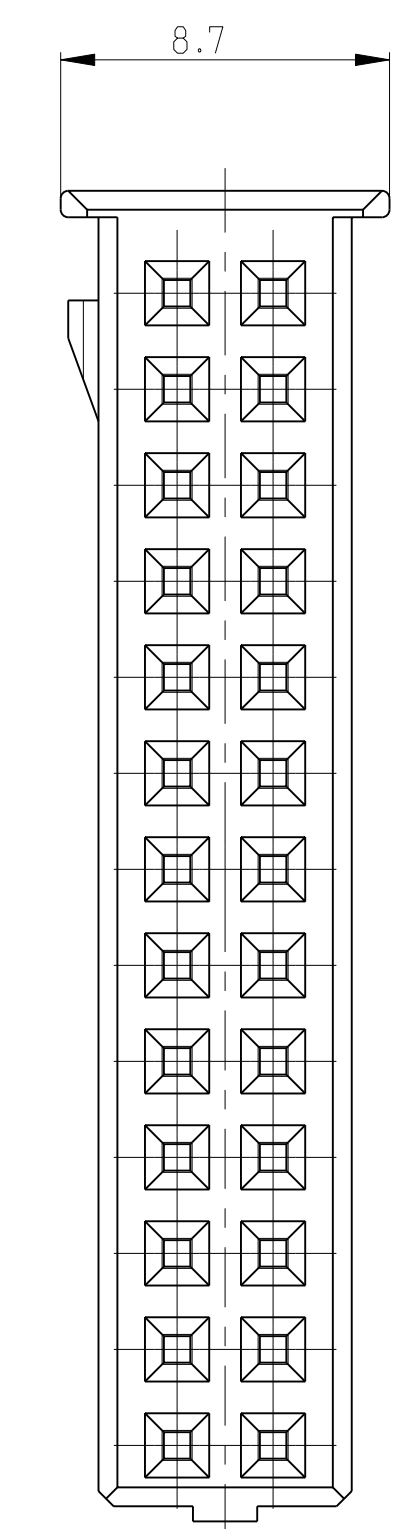
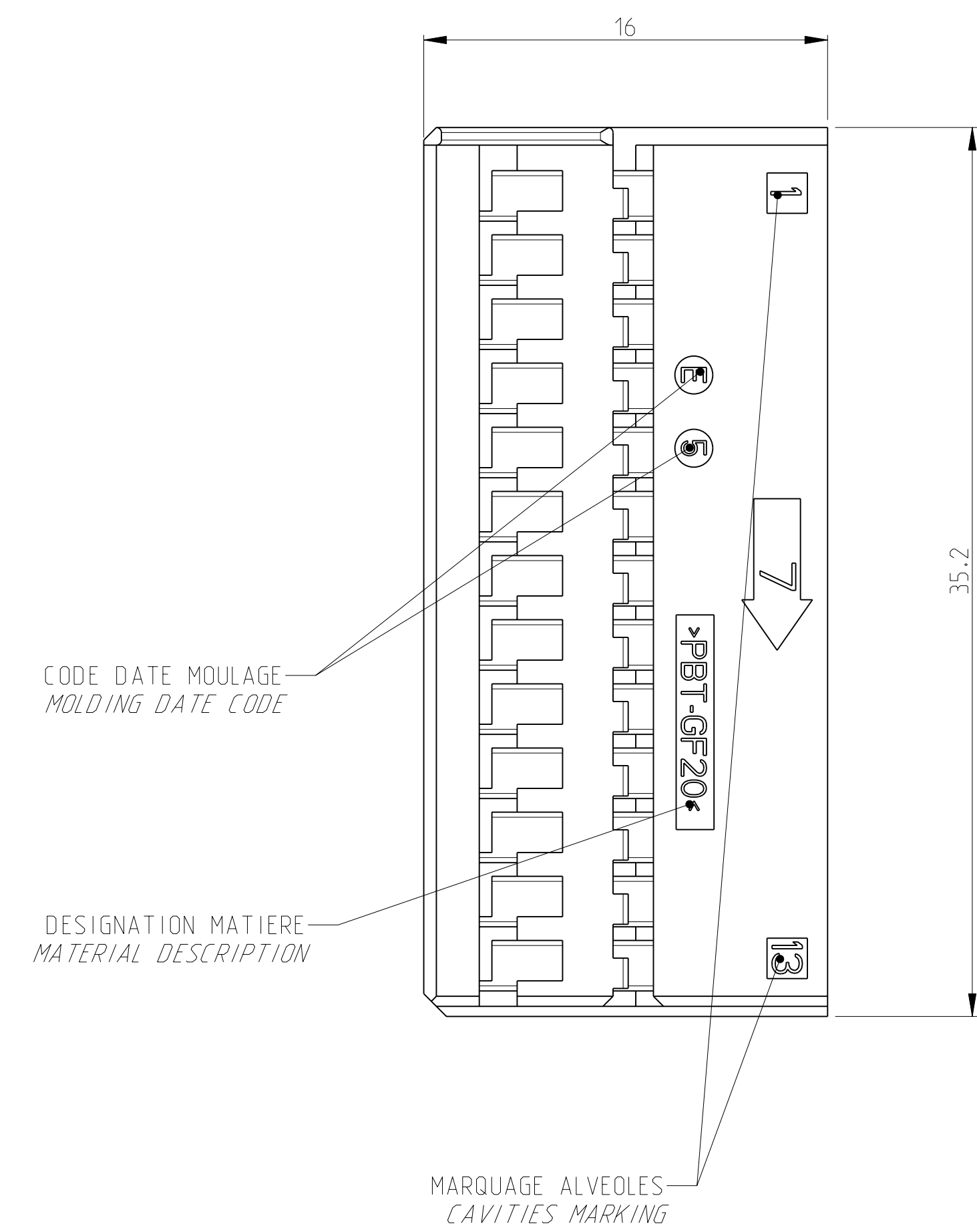
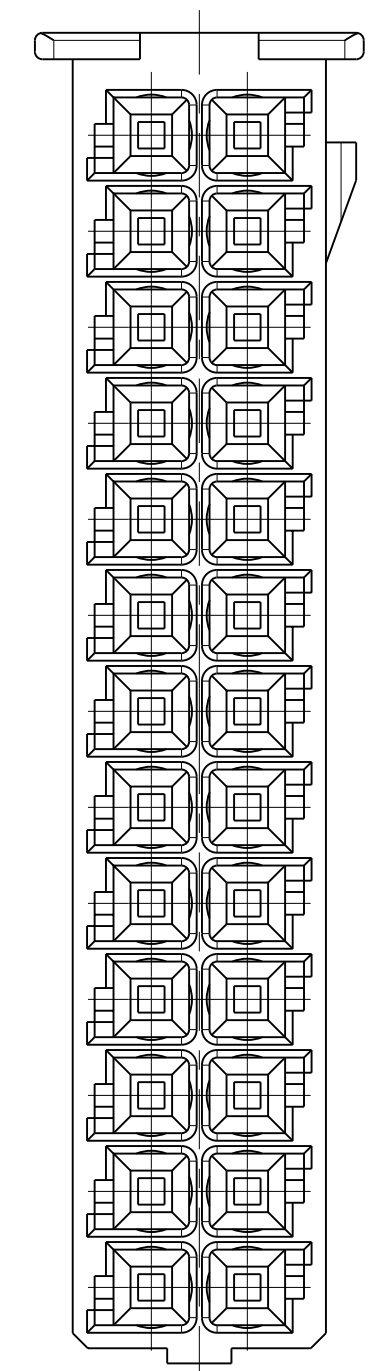
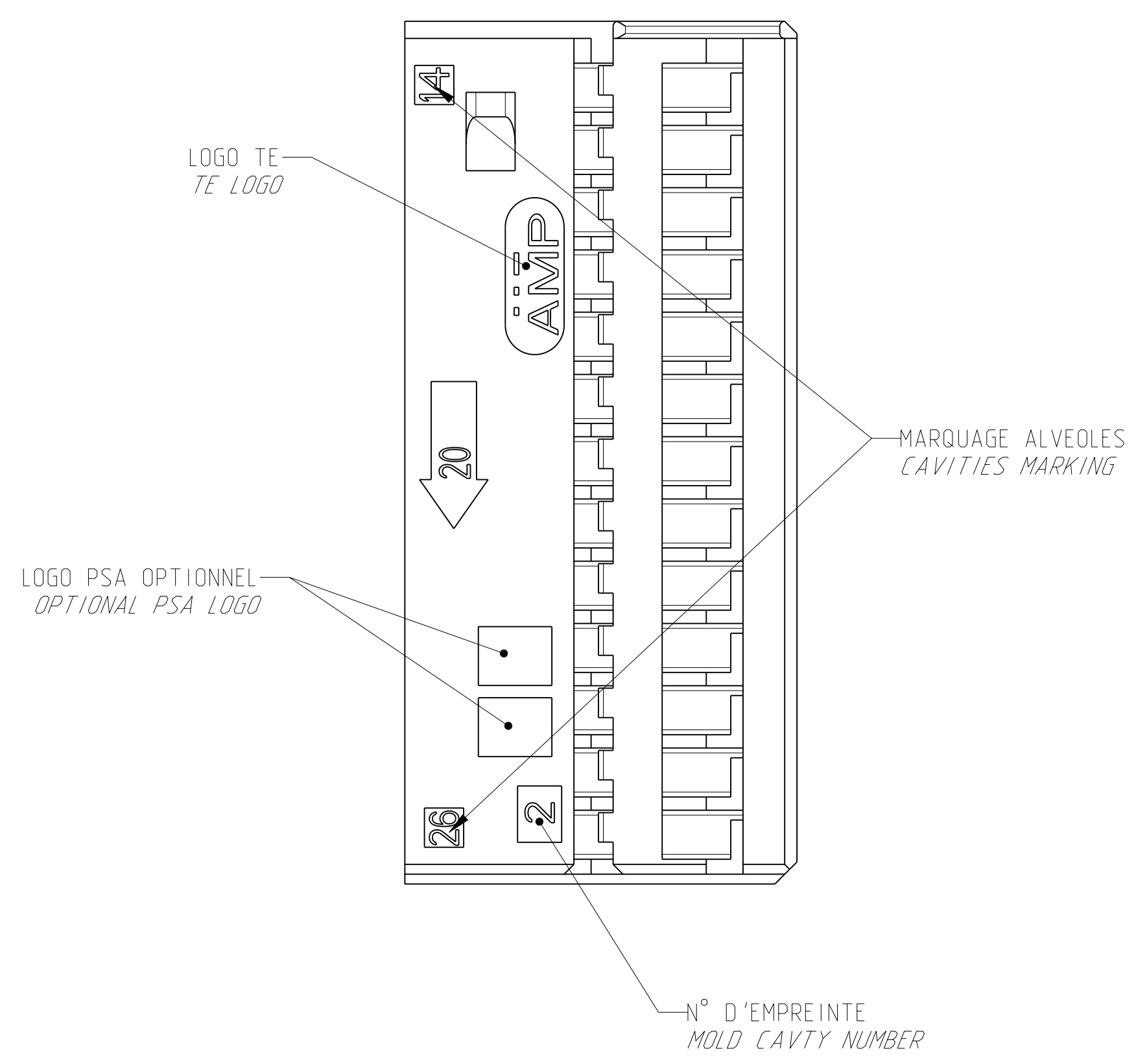
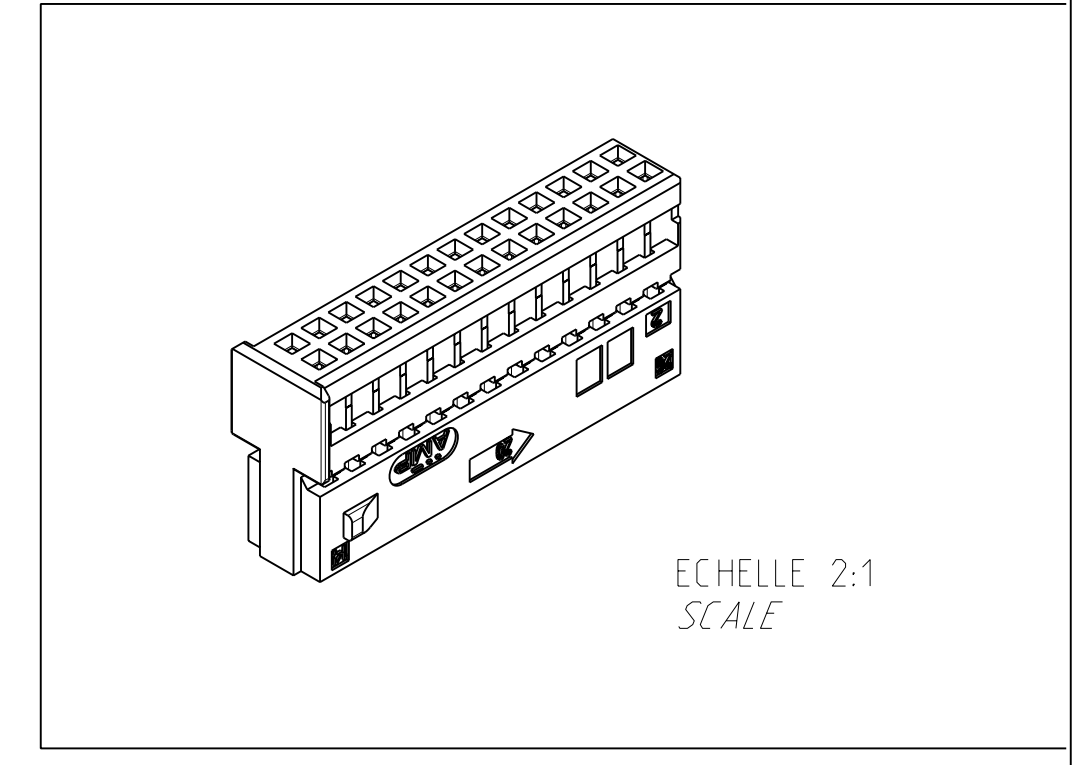
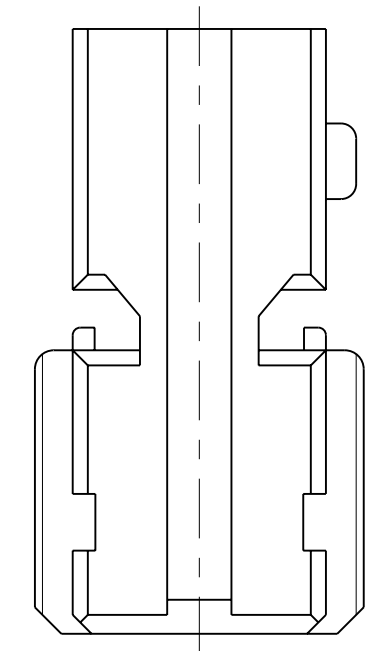


LOC	DIST	REVISIONS					
F	00	P	LTB	DESCRIPTION	DATE	DWN	APVD
		REV		MODIFICATIONS		DESS.	APP.
		A		CREATION	09.JUL.2009	NS	XR



NOTE

1 - CABLAGE MAXI : 8 FILS DE SECTION 0.6 mm2 (DIA MAXI ISOLANT DE 1.9 mm)
 POUR FORCE D'INSERTION MODULE/PORTE MODULE : F-20N ET POUR ETRE EN CONFORMITE AVEC LA SPEC. 108-15158

- MAXIMAL CABLING : 8 WIRES SECTION 0.6mm2 (DIA MAXIMAL INSULATOR 1.9mm)
 FOR THE INSERTION FORCE MODULE/ASSY COVER : F-20N AND TO BE IN ACCORDANCE WITH THE SPEC. 108-15158

COMPOSANTS ASSOCIES MATING PARTS	
REF. TE TE PART NUMBER	DESIGNATION
185879-X	PORTE MODULE 26 VOIES MQS ASSEMBLY COVER 26 W MQS

185875-1 REPRESENTEE
AS SHOWN

PBT 20% FV PBT GF20	NOIR BLACK	185875-1
MATIERE MATERIAL	COULEUR COLOR	REF TE TE PN

<small>THIS DRAWING IS UNPUBLISHED. RELEASED FOR PUBLICATION. DIFFUSION RESTREINTE AMP. LIBRE A LA DIFFUSION. © COPYRIGHT 20 BY TYCO ELECTRONICS CORPORATION. ALL RIGHTS RESERVED. THIS RIGHTS RESERVE.</small>		DWN/DESINE N. SIMON 10.JUL.2009	Tyco Electronics France SAS 95300 Pontoise, France	
<small>TOI ERANCES UNLESS OTHERWISE SPECIFIED: DIMENSIONS AND TOLERANCES ARE IN MILLIMETERS UNLESS OTHERWISE SPECIFIED.</small>		APVD/APPROUVE X. DROULLILLARD 16.JUL.2009	NAME RECEPTACLE HOUSING 26W MQS GENE 2 PORTE CLIP 26 VOIES MQS GENE 2	
<small>TOI ERANCES UNLESS OTHERWISE SPECIFIED: DIMENSIONS AND TOLERANCES ARE IN MILLIMETERS UNLESS OTHERWISE SPECIFIED.</small>		CHK/VERIFIE O. PAMART	SIZE A1	
<small>TOI ERANCES UNLESS OTHERWISE SPECIFIED: DIMENSIONS AND TOLERANCES ARE IN MILLIMETERS UNLESS OTHERWISE SPECIFIED.</small>		PRODUCT SPEC 108-15158	CAGE CODE 00779	
<small>TOI ERANCES UNLESS OTHERWISE SPECIFIED: DIMENSIONS AND TOLERANCES ARE IN MILLIMETERS UNLESS OTHERWISE SPECIFIED.</small>		APPLICATION SPEC 411-155BT	DRAWING NO 185875	
<small>TOI ERANCES UNLESS OTHERWISE SPECIFIED: DIMENSIONS AND TOLERANCES ARE IN MILLIMETERS UNLESS OTHERWISE SPECIFIED.</small>		WEIGHT MASSE APPROX. 2.4 gr	RESTRICTED TO RESERVE A	
<small>TOI ERANCES UNLESS OTHERWISE SPECIFIED: DIMENSIONS AND TOLERANCES ARE IN MILLIMETERS UNLESS OTHERWISE SPECIFIED.</small>		CUSTOMER DRAWING	SCALE ECHELLE 5:1	
<small>TOI ERANCES UNLESS OTHERWISE SPECIFIED: DIMENSIONS AND TOLERANCES ARE IN MILLIMETERS UNLESS OTHERWISE SPECIFIED.</small>		/PLAN CLIENT	SHEET FEUILLE 1 OF 1	
<small>TOI ERANCES UNLESS OTHERWISE SPECIFIED: DIMENSIONS AND TOLERANCES ARE IN MILLIMETERS UNLESS OTHERWISE SPECIFIED.</small>		UNDEPART POUR REFERENCE	REV A	