

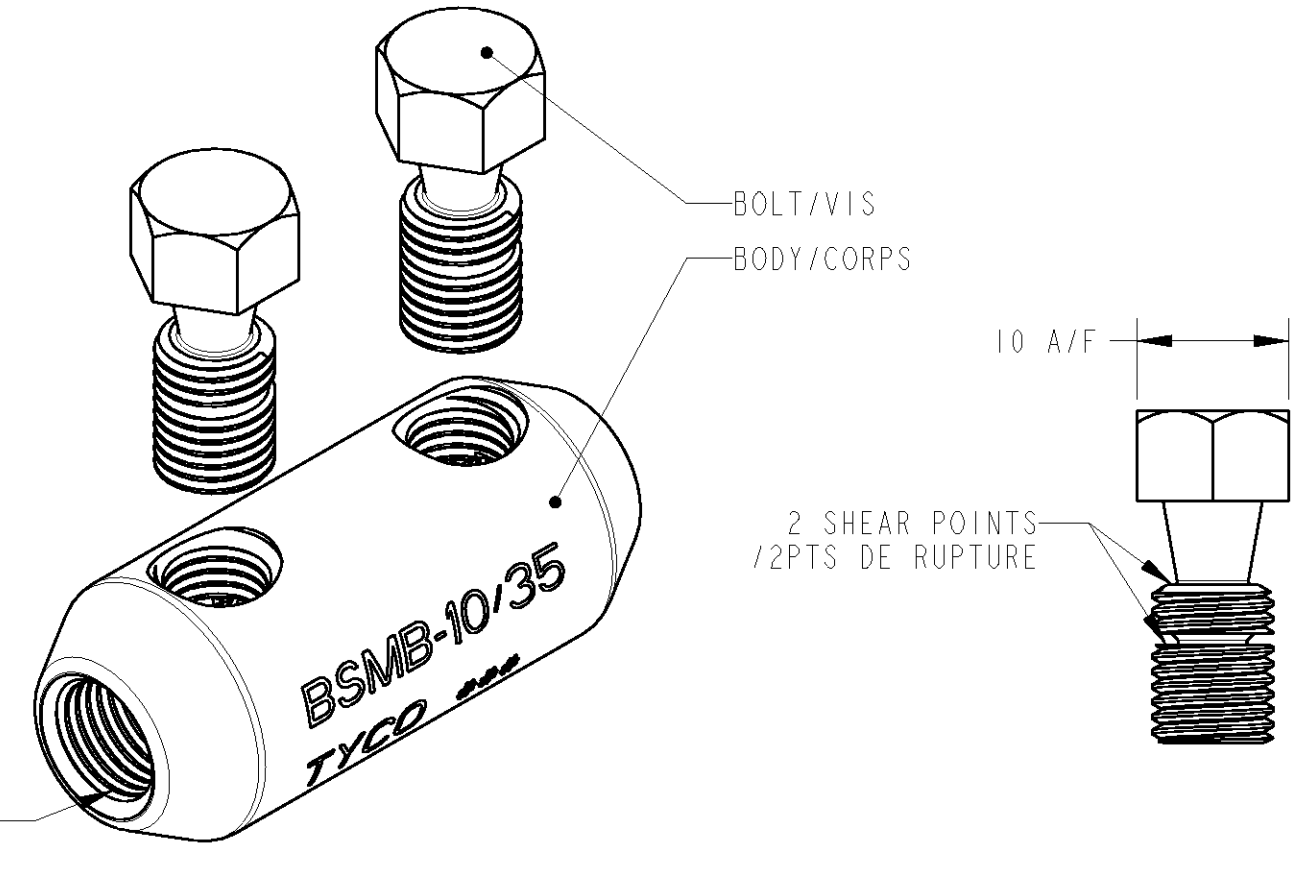
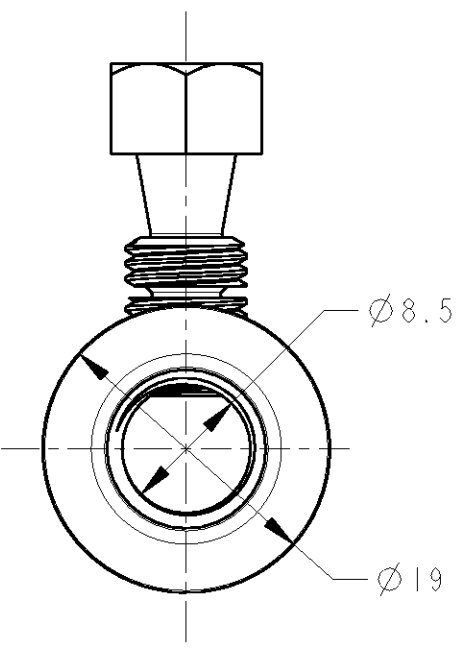
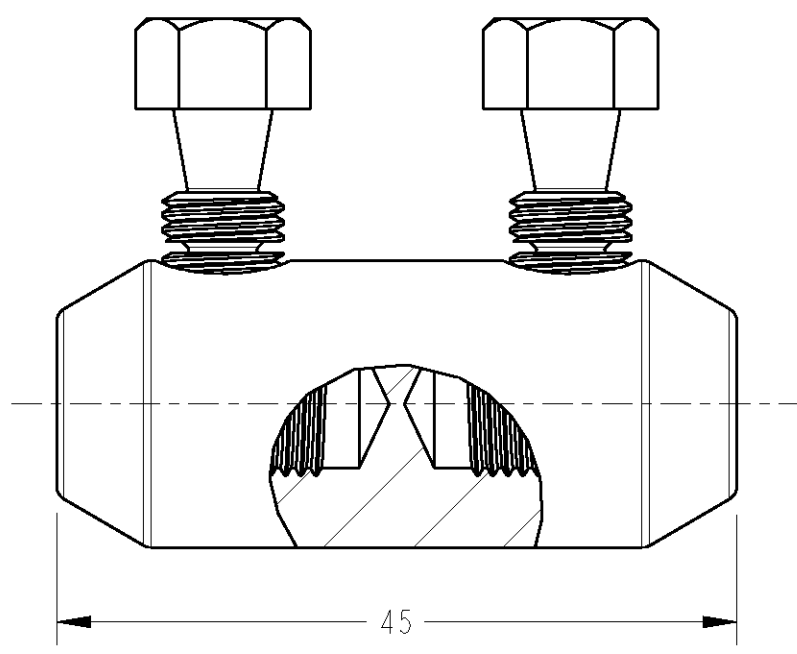
THIS DRAWING IS UNPUBLISHED.
 DIFFUSION RESTREINTE

RELEASED FOR PUBLICATION
 LIBRE A LA DIFFUSION

20

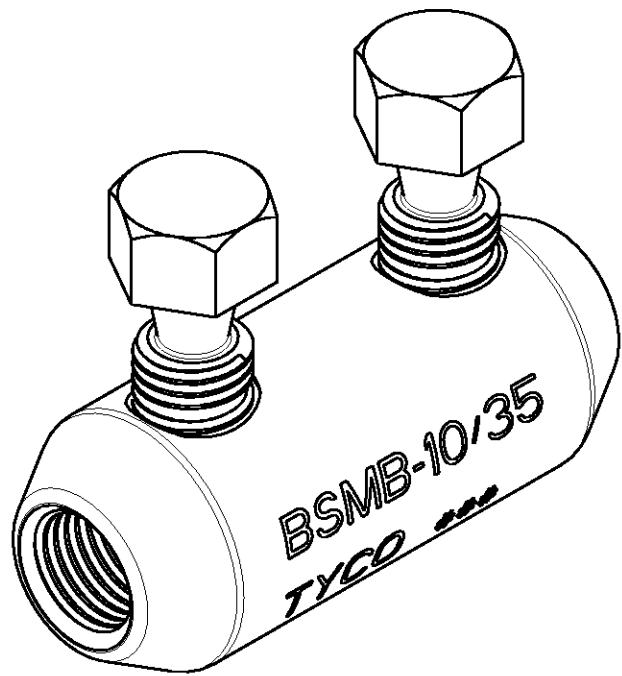
© COPYRIGHT 20 BY TYCO ELECTRONICS CORPORATION. ALL RIGHTS RESERVED.
 TOUS DROITS RESERVES

LOC	DIST	REVISIONS			
P	LTR REV	DESCRIPTION MODIFICATIONS	DATE	DWN DESS.	APVD APP.
FH	2				
	A	CREATION	31-Aou-06	GC	GP
	B	Updated	18/01/07	JB	BP
	C	Updated	28/03/07	BP	AG



BSMB-10/35	8-1202166-7
DESCRIPTION	PART NUMBER

	AL				CU		
	ROUND STRANDED /Rond câblé /RM	ROUND SOLID /Rond solide /RE	SECTOR STRANDED /Sectoral câblé /SM	SECTOR SOLID /Sectoral câblé /SE	ROUND STRANDED /Rond câblé /RM	ROUND SOLID /Rond solide /RE	SECTOR STRANDED /Sectoral câblé /SM
CONDUCTOR CROSS-SECTION /Section conducteur /Querschnittsbereich mm ²	10-35	10-50	10-25 (35 with rounding)	10-35	10-35	10-35	10-25 (35 with rounding)
CONDUCTOR DIAMETER /Diamètre conducteur /Leiterdurchmesser mm	$\phi 3.7-\phi 7.5$	$\phi 3.4-\phi 7.8$	-	-	$\phi 3.7-\phi 7.5$	$\phi 3.4-\phi 6.7$	-



THIS DRAWING IS A CONTROLLED DOCUMENT FOR TYCO ELECTRONICS CORPORATION
 IT IS SUBJECT TO CHANGE AND THE CONTROLLING ENGINEERING ORGANIZATION
 SHOULD BE CONTACTED FOR THE LATEST REVISION.
 CE PLAN EST UN DOCUMENT CONTROLE PAR TYCO ELECTRONICS CORPORATION
 IL EST SUSCEPTIBLE D'ETRE REVISE. CONTACTER LE SERVICE
 TECHNIQUE POUR OBTENIR LA DERNIERE REVISION.

DIMENSIONS: mm

TOLERANCES UNLESS OTHERWISE SPECIFIED:
 (SUIV NB DE DECIMALES):
 0 PLC/DEC: ±0
 1 PLC/DEC: ±0
 2 PLC/DEC: ±0
 3 PLC/DEC: ±0
 4 PLC/DEC: ±0
 ANGLES ±

MATERIAL MATIERE AL ALLOY FINISH FINITION TINNED

DWN/DESSINE 31-Aou-06
 G. CARLIHAN
 CHK/VERIFIE B. PELTIER
 APVD/APPROUVE G. PORCHERAY

PRODUCT SPEC SPEC. PRODUIT -
 APPLICATION SPEC SPEC. APPLICATION -

WEIGHT MASSE APPROX. 42 g

SIZE FORMAT A3 CAGE CODE 00779 DRAWING NO No PLAN C-1856180

RESTRICTED TO RESERVE A -

CUSTOMER DRAWING /PLAN CLIENT UNTOUEMENT POUR REFERENCE SCALE ECHELLE? SHEET FEUILLE OF DE REV C

tyco Electronics SIMEL 21220 Gevrey-Chambertin, FRANCE

NAME TITRE BSMB-10/35

TOLERANCES UNLESS OTHERWISE SPECIFIED: -
 TOLERANCES NON SPECIFIEES: -