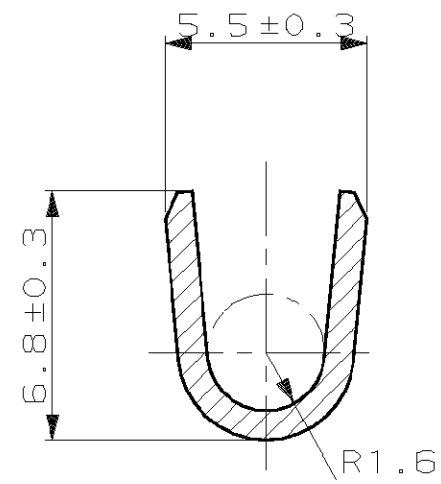
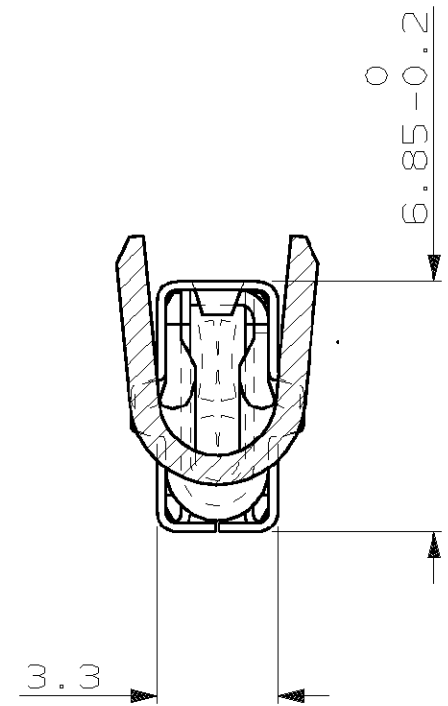
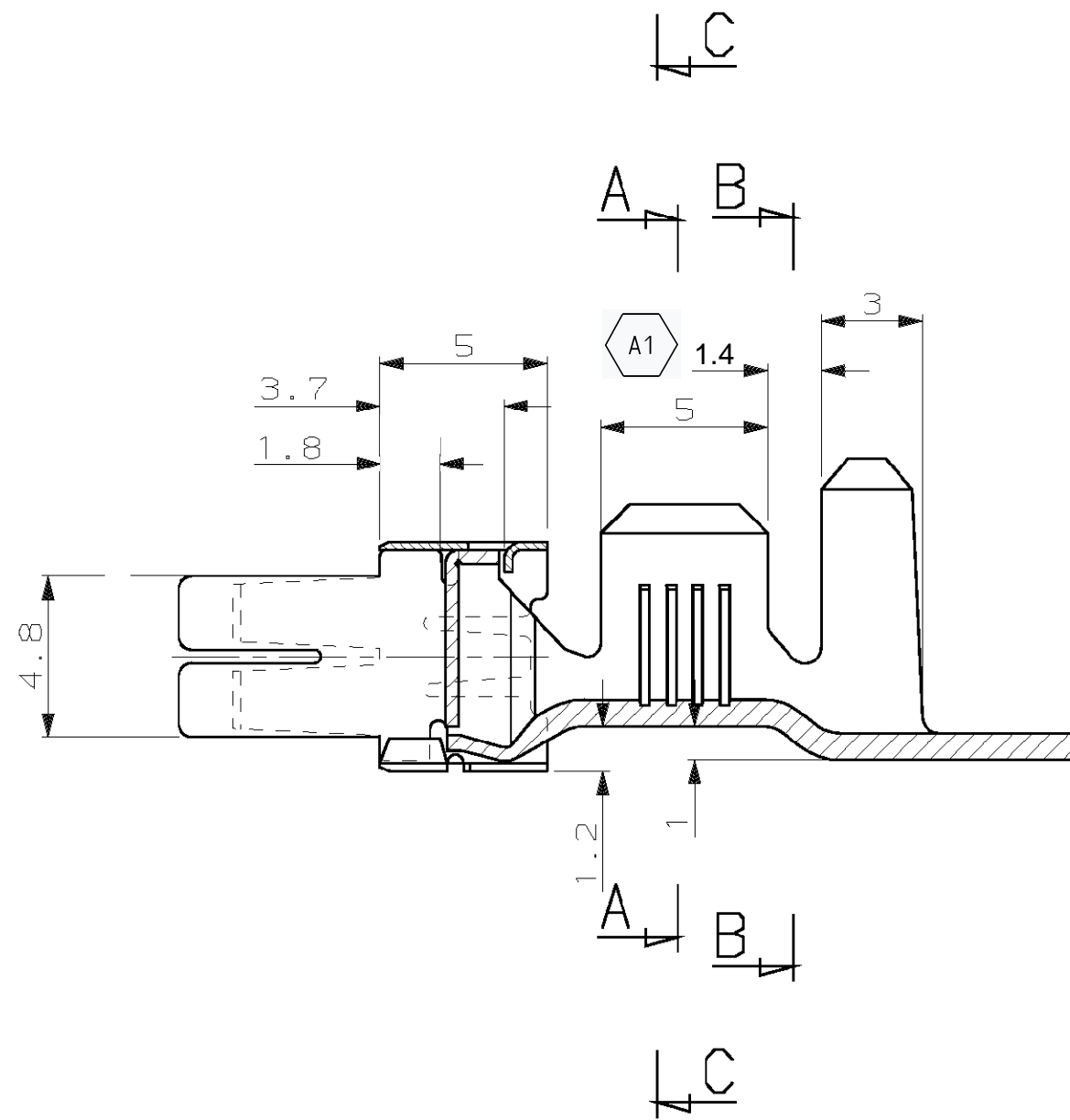


THIS DRAWING IS UNPUBLISHED.
 DIFFUSION RESEINTE AMP
 (C) COPYRIGHT 19 BY AMP INCORPORATED. ALL RIGHTS RESERVED. TOUS DROITS RESERVES.

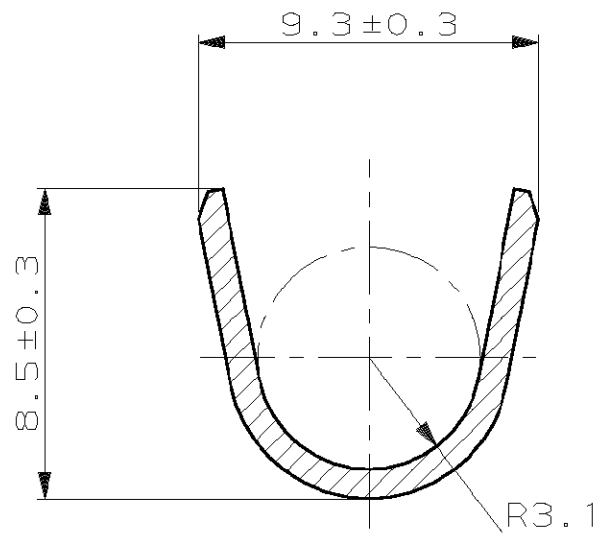
LOC		DIST		REVISIONS			
P	LTR	REV	DESCRIPTION	DATE	DWN	APVD	APP.
	F		7	SEE PCN-24-219645	04-SEP-24	KMD	SCK



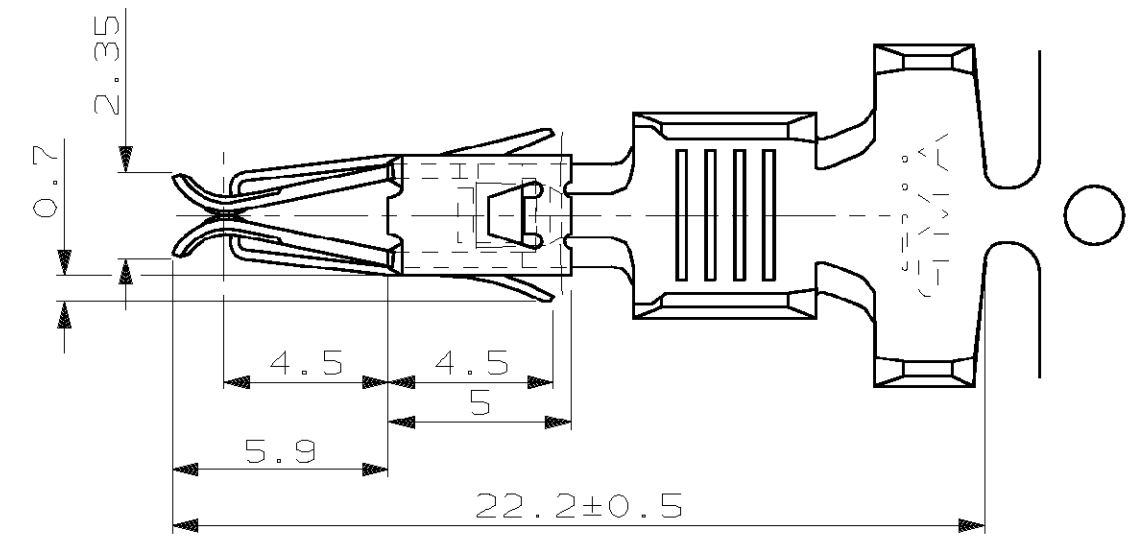
SECTION A-A




SECTION C-C



SECTION B-B



5-7 mm ² , dia. isol. 5.7 max.	185283-1	PRE-TINNED	KFC ep 0.4/0.8
WIRE DIM.	REF. TE	FINISH	MATERIAL

THIS DRAWING IS A CONTROLLED DOCUMENT. CE PLAN EST UN DOCUMENT CONTROLE.		DWN/DESSINE GERARD ROBERT 03-SEP-98	 TE Connectivity	
DIMENSIONS: mm		CHK/VERIFIE J.J. L'ALANGE 05-MAY-00	NAME TITRE	
TOLERANCES UNLESS OTHERWISE SPECIFIED: TOLERANCES NON SPECIFIEES (SUIV NB DE DECIMALES):		APVD/APPROUVE J.J. REVIL 05-MAY-00	PRODUCT SPEC 108-15122	
0-PLC/DCE ±		APPLICATION SPEC 114-15058		
1-PLC/DCE ±		WEIGHT MASSE APPROX. 1.7gr		
2-PLC/DCE ± ±0.3		SIZE FORMAT A2	CAGE CODE 00779	DRAWING NO TITRE C-185283
3-PLC/DCE ±		RESTRICTED TO		
4-PLC/DCE ±		UNTOUENENT POUR REFERENCE		
ANGLES ±2°		SCALE EHELLE 5:1	SHEET FEUILLE 1 OF 1	REV A1