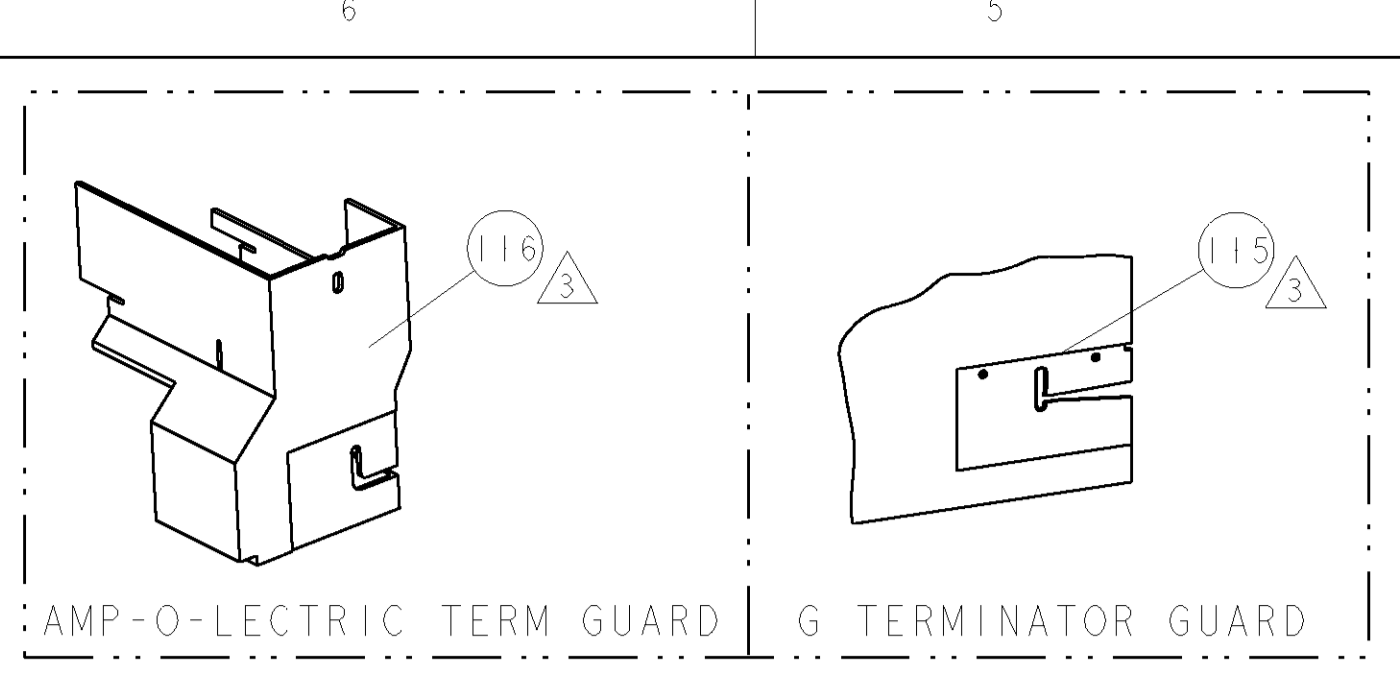


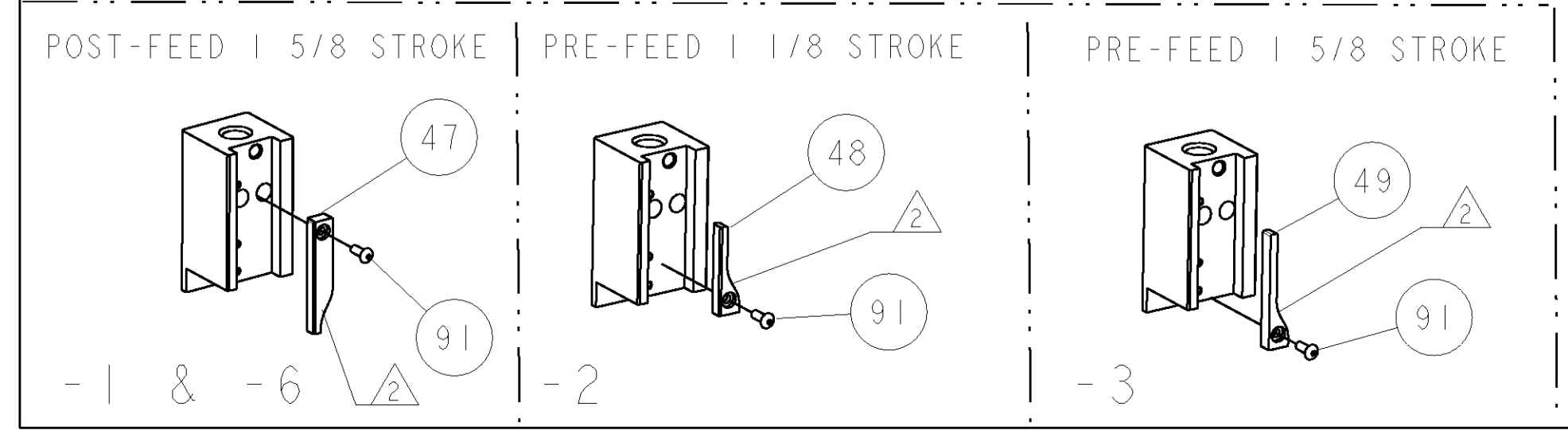
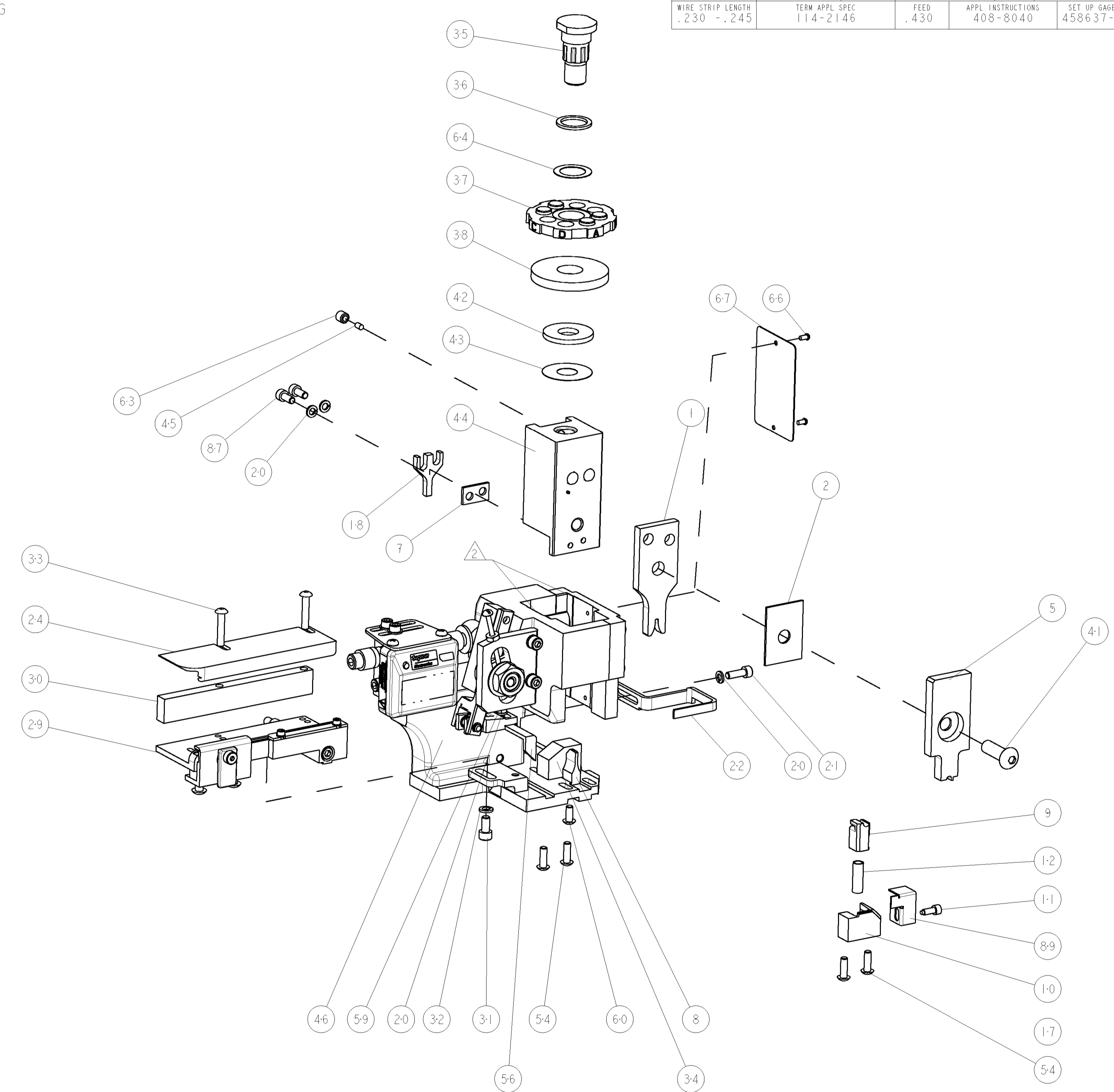
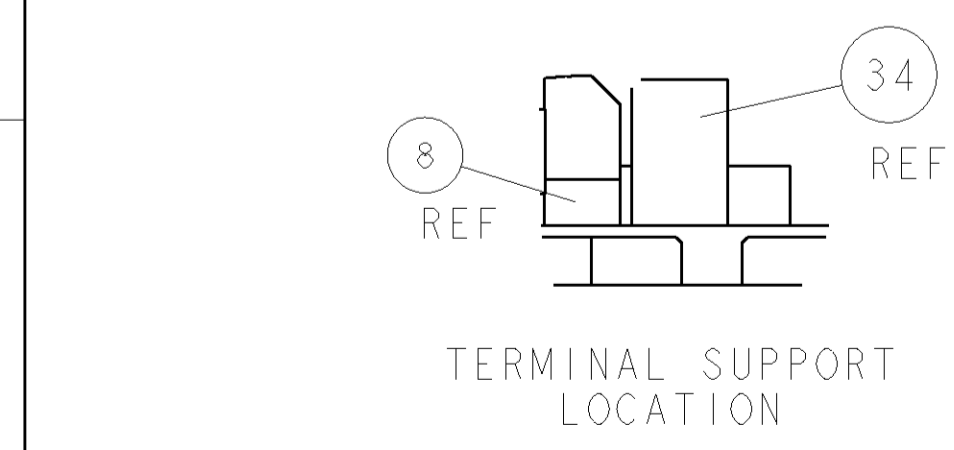
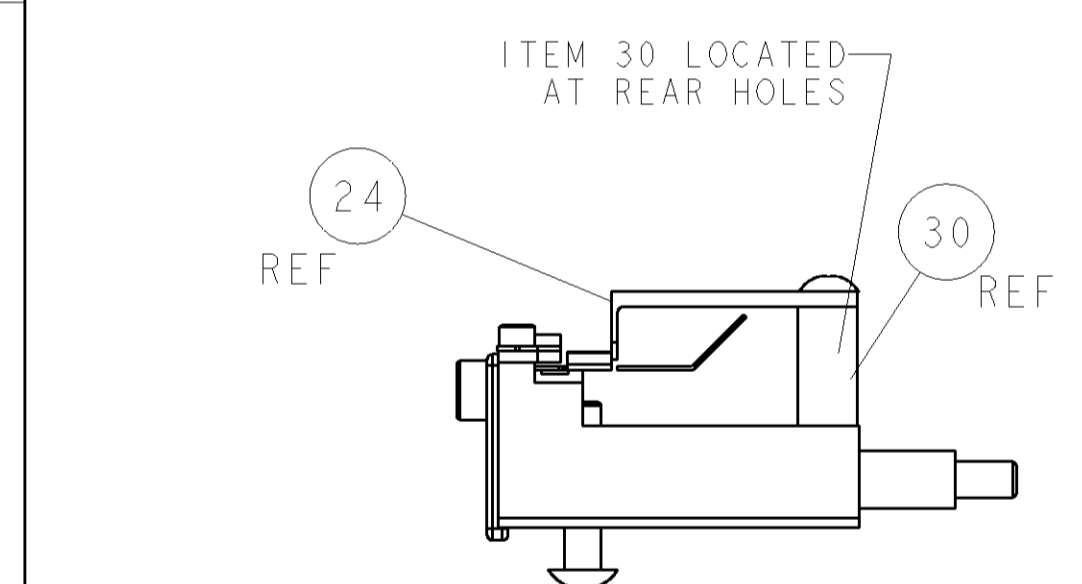
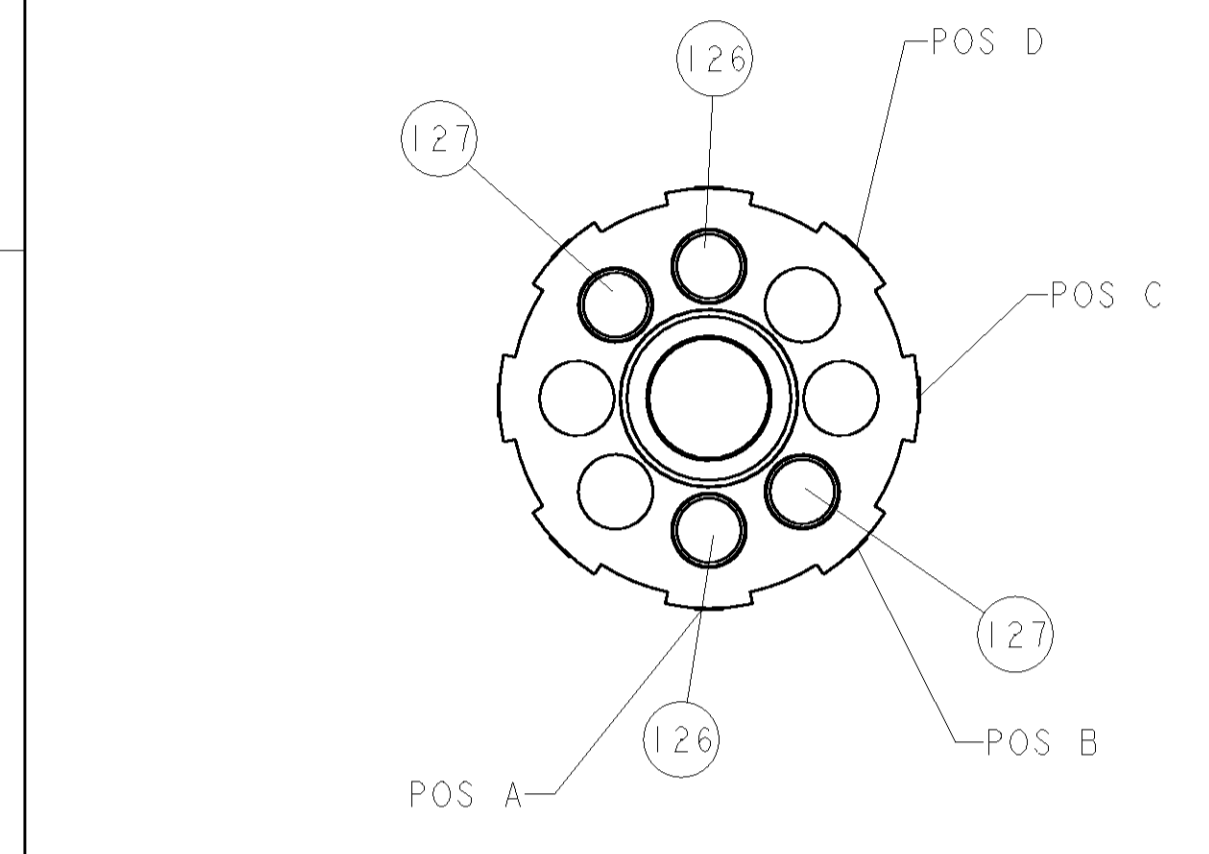
PART NUMBER	REV	FIRST USED	POWER UNIT	FEED TYPE	DESCRIPTION
1852136-1	B	122500-1	LEADMAKER	POST FEED	CUTS CARRIER
1852136-2	B	565435-5	BENCH MODEL K	PRE FEED	CUTS CARRIER
1852136-3	B	354500-1	BENCH MODEL G	PRE FEED	CUTS CARRIER
1852136-6	B	122500-1	LEADMAKER	POST FEED	CONTINUOUS CARRIER
1852136-77	A	-	-	-	SPARE PARTS



TERMINAL NAME: FASTON, TAB, AMPLIVAR				
TYCO PN		AMP TERMINAL - AMP CRIMP SPECS		
1742262-1	-			
-	-	PAD LTR	CRIMP HEIGHT	WIRE SIZE
-	-	A	.050±.002[1.27±0.05mm]	22 GA MAG-WIRE
-	-	B	.048±.002[1.22±0.05mm]	24 GA MAG-WIRE
-	-	C	-	-
-	-	D	-	-
-	-	CRIMP	SIZE	TYPE
-	-	WIRE	.070 [1.78mm]	F
-	-	INSUL	-	-
WIRE STRIP LENGTH	TERM APPL SPEC	FEED	APPL INSTRUCTIONS	SET UP GAGE
.230 -.245	114-2146	.430	408-8040	458637-1

LOC	DIST	P	LTR	DESCRIPTION	DATE	DRN	APVD
A	66						
		A		RELEASED	29NOV2005	MEH	TE
		B		ECR 05-018483	20DEC2005	MEH	GB

- △ RECOMMENDED SPARE PARTS
- △ GREASE LIGHTLY
- △ GUARD MUST BE IN PLACE WHEN OPERATING APPLICATOR IN A BENCH MACHINE



-	2	2	2	2	-	3-354779-4	PIN, WIRE DISC, .3160	127
-	2	2	2	2	-	3-354779-0	PIN, WIRE DISC, .3140	126
△	-	-	REF	-	..	455749-1	GUARD WINDOW	116
△	-	-	REF	-	..	679532-1	INSERT, GUARD	115
-	1	1	1	1	-	1-21002-7	SCR, BTN SKT HD CAP 6-32 X .375	91
-	1	1	1	1	-	318563-1	GUARD, FRONT CHIP	89
-	2	2	2	2	-	2-21000-6	SCR, SKT HD CAP 8-32 X .375	87
-	1	1	1	1	-	4088040	SF APPL INST 408-8040	72
-	1	1	1	1	-	217238-1	GENERAL INSTRUCTION PKG	71
-	1	1	1	1	-	461264-1	PLATE, IDENTIFICATION	67
-	2	2	2	2	-	21017-2	SCREW, DRIVE	66
-	1	1	1	1	-	986950-1	WASHER, FLAT PRECISION	64
-	1	1	1	1	-	21009-2	SCR, SET, SELF LOCKING 1/4-20 X .250	63
-	1	1	1	1	-	22733-8	SCR, BHSC, SELF-LOCKING, 8-32 X .375	60
-	1	1	1	1	-	2-22603-0	SCR, HEX HD CAP 8-32 X .312	59
-	1	1	1	1	-	2-694433-1	FEED PAWL	56
-	4	4	4	4	-	2-21002-2	SCR, BTN SKT HD CAP 8-32 X .500	54
-	-	1	-	-	..	690602-6	CAM, PRE FEED, 1 5/8	49
-	-	-	1	-	..	690602-5	CAM, PRE FEED, 1 1/8	48
-	1	-	-	1	-	690501-4	CAM, POST FEED, 1 5/8	47
-	1	1	1	1	-	459456-2	APPL. BASIC SUB ASSY (SIDE WISE MOCA)	46
-	1	1	1	1	-	690191-1	PLUG, NYLON	45
-	1	1	1	1	-	455673-1	RAM, SIDE FEED	44
-	1	1	1	1	-	690125-1	SHIM SUB-ASSY	43
-	1	1	1	1	-	690124-1	WASHER, RAM (.115)	42
-	1	1	1	1	-	7-21002-9	SCR, BTN SKT HD CAP 5/16-24 X 1.00	41
-	1	1	1	1	-	690223-2	SPACER, INSULATION DISC	38
-	1	1	1	1	-	354777-1	WIRE DISC, ASSEMBLY	37
-	1	1	1	1	-	22480-5	SPRING, COMPRESSION	36
-	1	1	1	1	-	690212-1	POST, RAM	35
-	1	1	1	1	-	690786-3	TERMINAL SUPPORT	34
-	2	2	2	2	-	9-21002-6	SCR, BTN SKT HD CAP 8-32 X .875	33
-	1	1	1	1	-	21024-5	WASHER, SPRG LOCK, REG NO 10	32
-	1	1	1	1	-	3-21000-4	SCR, SKT HD CAP 10-32 X .375	31
-	1	1	1	1	-	1320908-7	SPACER, STRIP GUIDE	30
-	1	1	1	1	-	1633091-1	SUB-ASSEMBLY, FEEDTRACK	29
-	1	1	1	1	-	1320928-8	PLATE, STRIP GUIDE	24
-	1	-	-	1	-	456468-5	STRIPPER, SPECIAL	22
-	1	1	1	1	-	2-21000-7	SCR, SKT HD CAP 8-32 X .500	21
-	4	4	4	4	-	21024-4	WASHER, SPRG LOCK, REG NO 8	20
-	1	1	1	1	-	1-690518-7	HOLD DOWN, TERMINAL	18
△	1	-	-	-	-	679625-1	SHEAR HOLDER, FRONT (NO CUT)	17
△	1	1	1	1	-	5-22280-0	SPRING, COMPRESSION	12
△	1	1	1	1	-	690461-1	STOP, SHEAR	11
△	-	1	1	1	-	690459-1	SHEAR HOLDER, FRONT	10
△	1	1	1	1	-	462006-1	FLOATING SHEAR, FRONT	9
△	1	1	1	1	-	1633359-1	ANVIL, AMPLIVAR	8
-	1	1	1	1	-	3-240641-3	SPACER	7
-	1	1	1	1	-	2-455889-0	DEPRESSOR, SHEAR	5
-	1	1	1	1	-	1-455888-0	SPACER, CRIMPER	2
△	1	1	1	1	-	5-456404-7	CRIMPER, WIRE PREMIUM	1

ITEM NO	PART NO	DESCRIPTION	ITEM NO
-77	-6	-3	-2
-1	U/M		

DIMENSIONS: INCHES 	TOLERANCES UNLESS OTHERWISE SPECIFIED: 0 PLC ±.01 1 PLC ±.01 2 PLC ±.01 3 PLC ±.001 4 PLC ±.0001 ANGLES ±.001	DWG HERR 04OCT2005 CHK L GROSS 05OCT2005 APVD T ERLIN 05OCT2005 PRODUCT SPEC APPLICATION SPEC 114-2146 WEIGHT CUSTOMER DRAWING	tyco Tyco Electronics Harrisburg, PA 17105-3608 NAME SIDE FEED HDM APPLICATOR SIZE CAGE CODE DRAWING NO A1 00779 C=1852136 SCALE 3:5 SHEET 1 OF 1 REV B
---------------------------	---	---	---

CUSTOMER VIEWABLE ASSEMBLY