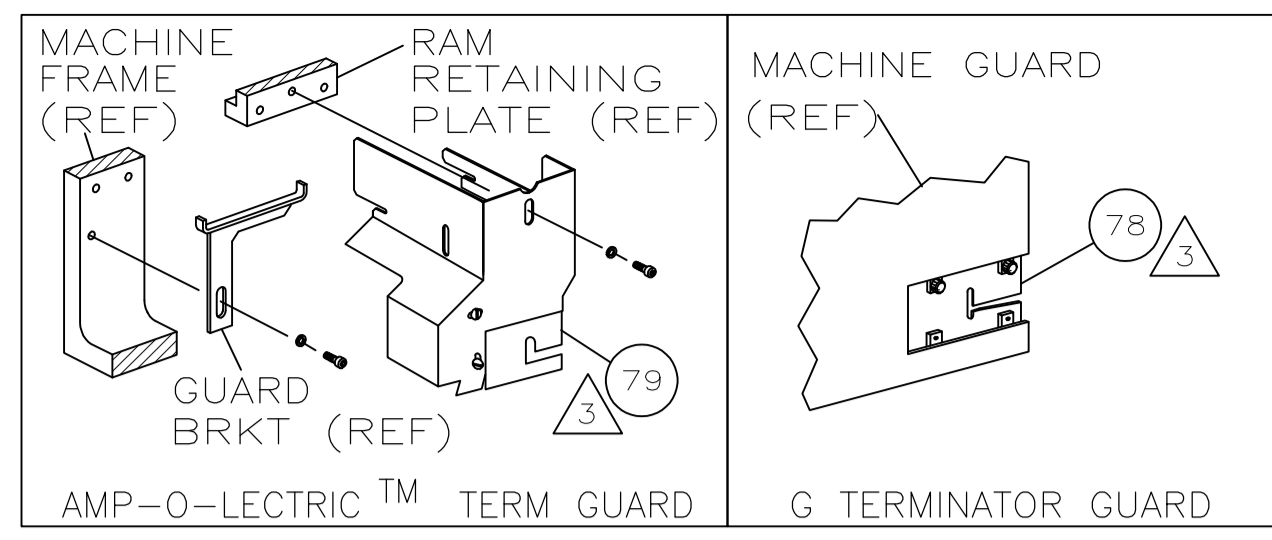


THIS DRAWING IS UNPUBLISHED. RELEASED FOR PUBLICATION. ALL RIGHTS RESERVED.

| PART NUMBER | REV | FIRST USED |
|-------------|-----|------------|
| 1852016-1 | C | 122500-1 |
| 1852016-2 | C | 565435-5 |
| 1852016-3 | C | 354500-1 |



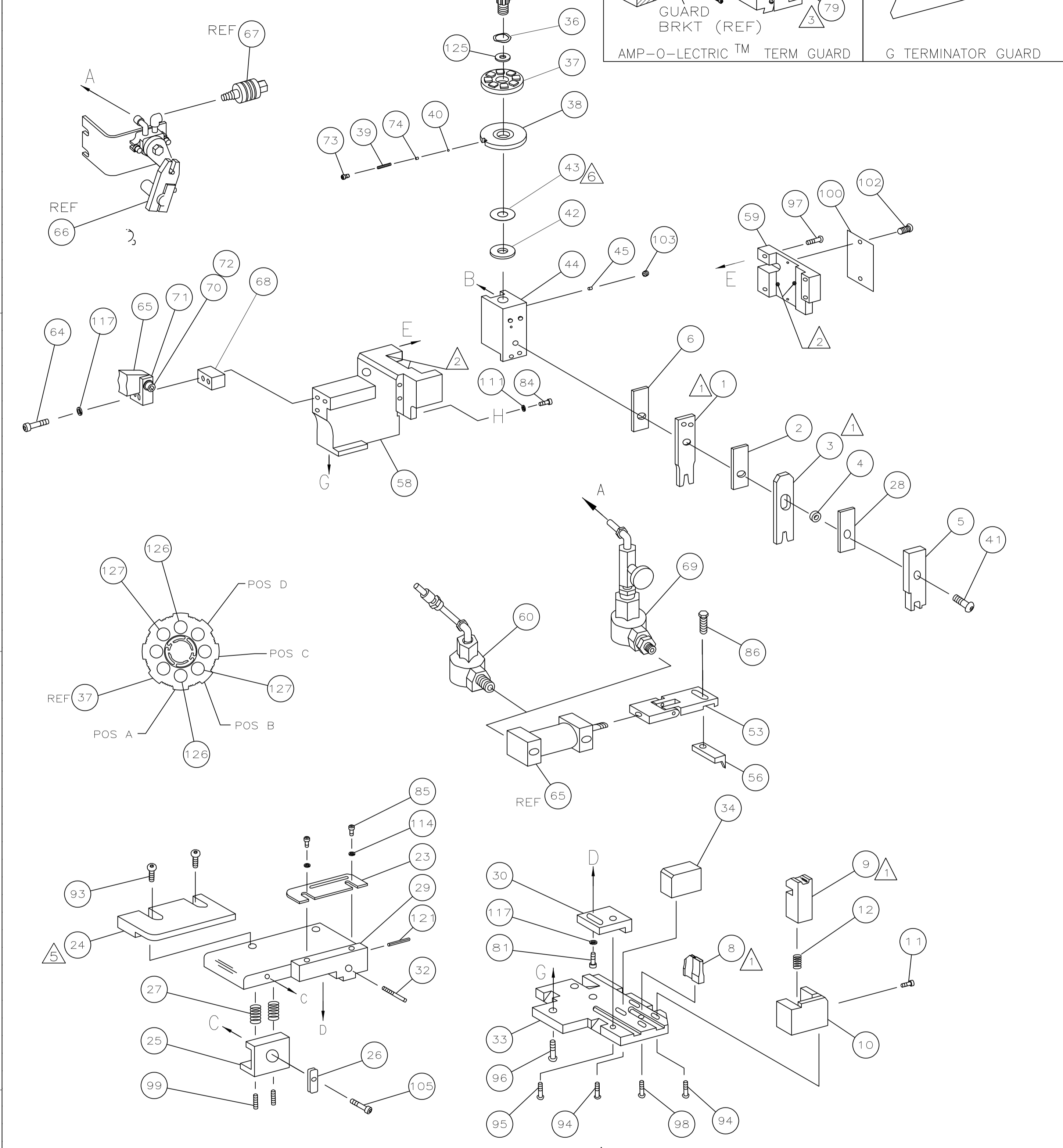
TERMINAL NAME: VERTICAL BULKHEAD CABLE REC'D

| AMP TERMINAL | AMP CRIMP SPECS |
|--------------|------------------------------|
| PAD LTR | CRIMP HEIGHT WIRE SIZE |
| A | .092 ±.002 [2.34 ±0.05mm] 12 |
| B | .084 ±.002 [2.13 ±0.05mm] 14 |
| C | NOT USED |
| D | NOT USED |
| CRIMP | SIZE TYPE RANGE |
| WIRE | .136 [3.45mm] F 12-14 |
| INSUL | .170 [4.32mm] 0 .120-.156 |

| WIRE STRIP LENGTH | TERM APPL SPEC | FEED | APPL INSTRUCTION | SET UP GAGE | LAYOUT |
|-------------------|----------------|------|------------------|-------------|--------|
| .235-.265 | NONE | .900 | 408-8040 | 458637-1 | L2862 |

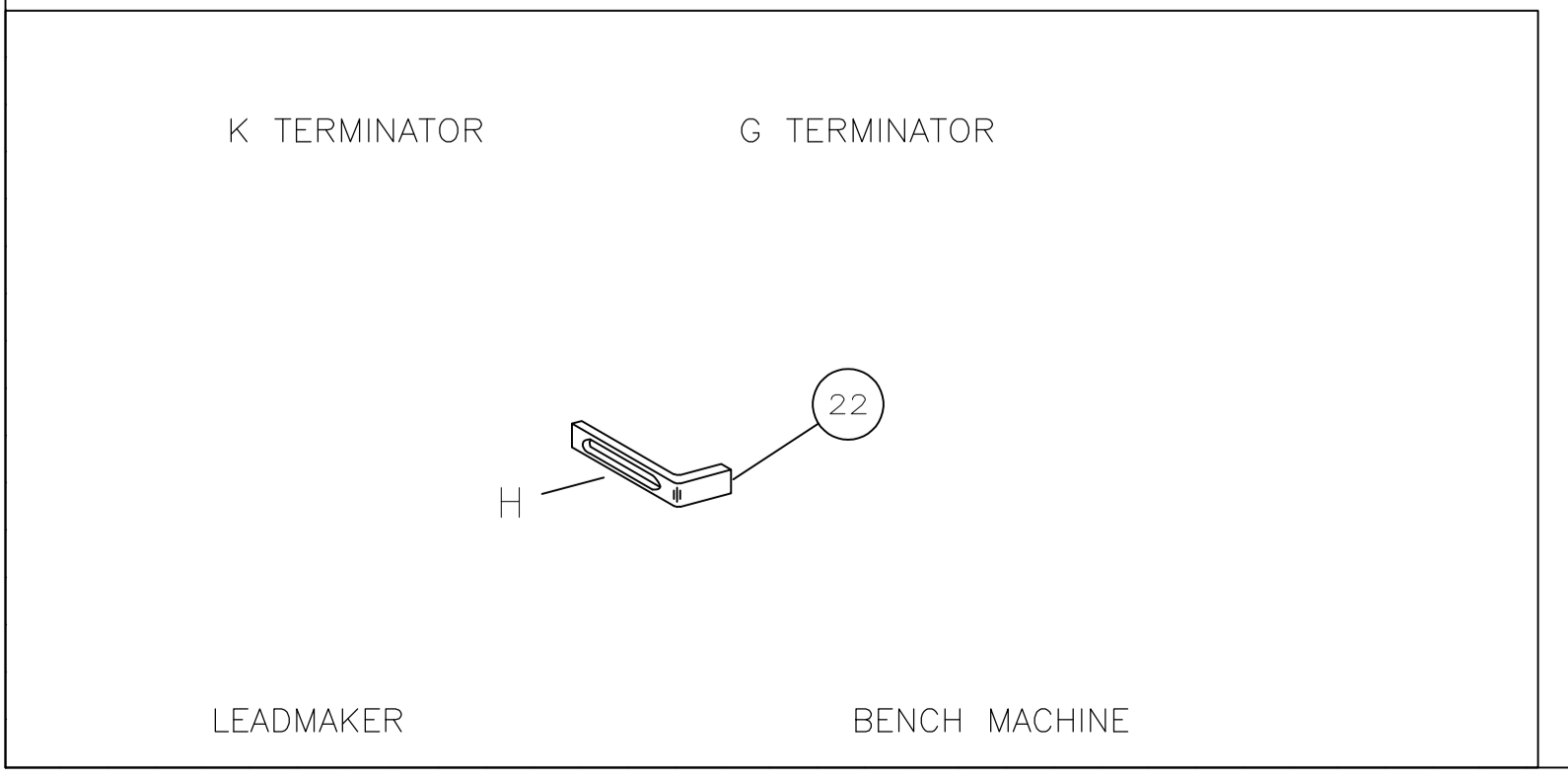
| LOC | DIST | REV | DESCRIPTION | DATE | DN | APVD |
|-----|------|-----|---------------|--------|----|------|
| A | 66 | C | ECR-08-023780 | 9-2008 | MY | GB |

| REV | BY | DESCRIPTION |
|-----|---------------|-------------|
| -1 | LEADMAKER | AIRFEED |
| -2 | BENCH MODEL K | AIRFEED |
| -3 | BENCH MODEL G | AIRFEED |

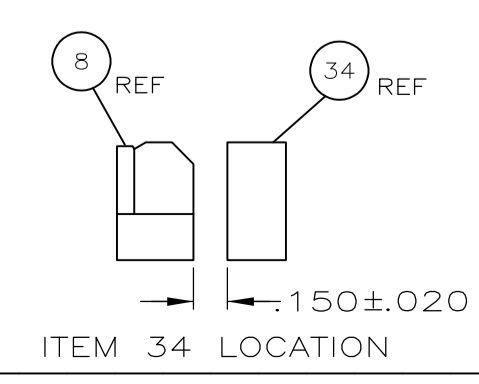


| QTY | REQD | PER | ASSY | PART NO | DESCRIPTION | ITEM NO |
|-----|------|-----|------|------------|---------------------------------|---------|
| 1 | 1 | 1 | - | 4-21028-0 | PIN,SLT SPR(Ø.093x.75)ST GDE PL | 121 |
| 1 | 1 | 1 | - | 4-21028-0 | PIN,SLT SPR(Ø.093x.75)ST GDE PL | 120 |
| 1 | 1 | 1 | - | 4-21028-0 | PIN,SLT SPR(Ø.093x.75)ST GDE PL | 119 |
| 1 | 1 | 1 | - | 4-21028-0 | PIN,SLT SPR(Ø.093x.75)ST GDE PL | 118 |
| 3 | 3 | 3 | - | 21024-5 | WASHER, LOCK(#10)ADJ BLOCK | 117 |
| 2 | 2 | 2 | - | 21024-2 | WASHER,LOCK(#4)FRONT STP GUIDE | 114 |
| 1 | 1 | 1 | - | 21024-4 | WASHER,LOCK(#8)STRIPPER | 111 |
| 1 | 1 | 1 | - | 21024-4 | WASHER,LOCK(#8)STRIPPER | 110 |
| 1 | 1 | 1 | - | 21024-4 | WASHER,LOCK(#8)STRIPPER | 109 |
| 1 | 1 | 1 | - | 21024-4 | WASHER,LOCK(#8)STRIPPER | 108 |
| 1 | 1 | 1 | - | 21024-4 | WASHER,LOCK(#8)STRIPPER | 107 |
| 1 | 1 | 1 | - | 21024-4 | WASHER,LOCK(#8)STRIPPER | 106 |
| 1 | 1 | 1 | - | 22353-8 | SCR,SHLD(Ø.187x.25)DRAG LEVER | 105 |
| 1 | 1 | 1 | - | 21009-2 | SCR,SKT SET(1/4-20x.25 LW)RAM | 103 |
| 2 | 2 | 2 | - | 21017-2 | SCR,DRIVE(#2x.19)ID PLATE | 102 |
| 1 | 1 | 1 | - | 461264-1 | PLATE, IDENTIFICATION | 100 |
| 2 | 2 | 2 | - | 5-21006-6 | SCR,SET(10-32x.75)DRAG | 99 |
| 1 | 1 | 1 | - | 22733-8 | SCR,BHC(8-32x.38 LW)ANVIL | 98 |
| 4 | 4 | 4 | - | 2-21002-9 | SCR,BHC(10-32x.50)CAP | 97 |
| 3 | 3 | 3 | - | 2-22733-8 | SCR,BHC(1/4-20x.62)HSG | 96 |
| 1 | 1 | 1 | - | 2-21002-7 | SCR,BHC(10-32x.50)SG ADJ BLK | 95 |
| 4 | 4 | 4 | - | 2-21002-2 | SCR,BHC(8-32x.50)TERM H DWN | 94 |
| 2 | 2 | 2 | - | 2-21002-4 | SCR,BHC(8-32x.75)R STP GDE | 93 |
| 1 | 1 | 1 | - | 2-21002-0 | SCR,BHC(8-32x.25)FEED FINGER | 86 |
| 2 | 2 | 2 | - | 1-21000-3 | SCR,SHC(4-40x.25)FR ST GUIDE | 85 |
| 1 | 1 | 1 | - | 2-21000-7 | SCR,SHC(8-32x.50)STRIPPER | 84 |
| 1 | 1 | 1 | - | 3-21000-4 | SCR,SHC(10-32x.38)SG ADJ BL | 81 |
| 1 | 1 | 1 | - | 462992-7 | GUARD ASSY | 79 |
| REF | - | - | - | 679532-1 | INSERT, GUARD | 78 |
| 1 | 1 | 1 | - | 690603-1 | SPRING, ASSIST | 74 |
| 1 | 1 | 1 | - | 23030-1 | SCR,SHC(6-32x.25 SL)INS DISC | 73 |
| 1 | 1 | 1 | - | 3-21001-4 | SCR,SHC(3/8x.88)FEED MT | 72 |
| 1 | 1 | 1 | - | 459610-3 | MOUNT, FEED BRACKET | 71 |
| -3 | -2 | -1 | U/M | PART NO | DESCRIPTION | ITEM NO |
| QTY | REQD | PER | ASSY | PARTS LIST | | |

| QTY | REQD | PER | ASSY | PART NO | DESCRIPTION | ITEM NO |
|-----|------|-----|------|-------------|-----------------------------|---------|
| 1 | 1 | 1 | - | 21024-8 | WASHER,LOCK(3/8)FEED BRKT | 70 |
| - | 1 | - | - | 692655-5 | AIR FEED VALVE ASSY | 69 |
| 1 | 1 | 1 | - | 461690-1 | SPACER, AIR FEED | 68 |
| - | REF | - | - | 24042-2 | VALVE, SHUT OFF | 67 |
| - | REF | - | - | 692655-6 | AIR FEED VALVE ASSY | 66 |
| 1 | 1 | 1 | - | 461065-2 | AIR FEED ASSY (2 INCH) | 65 |
| 2 | 2 | 2 | - | 4-21000-3 | SCR,SHC(10-32x2.00)AIR ASSY | 64 |
| 1 | - | 1 | - | 692655-7 | AIR FEED VALVE ASSY | 61 |
| 1 | 1 | 1 | - | 454220-1 | CAP, RAM | 59 |
| 1 | 1 | 1 | - | 454485-1 | HOUSING | 58 |
| 1 | 1 | 1 | - | 4-694433-6 | PAWL, FEED | 56 |
| 1 | 1 | 1 | - | 461062-1 | FEED FINGER ASSY | 53 |
| 1 | 1 | 1 | - | 690191-1 | PLUG, NYLON | 45 |
| 1 | 1 | 1 | - | 1-819307-0 | RAM | 44 |
| 1 | 1 | 1 | - | 690125-1 | WASHER, LAMINATED | 43 |
| 1 | 1 | 1 | - | 690124-6 | WASHER, RAM | 42 |
| 1 | 1 | 1 | - | 7-21002-9 | BOLT, CRIMPER(5/16x1.00) | 41 |
| 1 | 1 | 1 | - | 23241-6 | BALL, STEEL | 40 |
| 1 | 1 | 1 | - | 690170-1 | SPRING, COMPRESSION | 39 |
| 1 | 1 | 1 | - | 1-690142-1 | DISC, INSULATION | 38 |
| 1 | 1 | 1 | - | 354777-1 | WIRE DISC, PLASTIC | 37 |
| 1 | 1 | 1 | - | 22480-5 | WASHER, SPRING | 36 |
| 1 | 1 | 1 | - | 690212-1 | POST, RAM | 35 |
| 1 | 1 | 1 | - | 690786-3 | SUPPORT, TERMINAL | 34 |
| 1 | 1 | 1 | - | 455675-1 | PLATE, BASE | 33 |
| 1 | 1 | 1 | - | 690432-3 | SCREW, ADJUSTMENT | 32 |
| 1 | 1 | 1 | - | 455689-1 | BLOCK, STRIP GUIDE ADJ | 30 |
| 1 | 1 | 1 | - | 458144-1 | PLATE, STRIP GUIDE | 29 |
| 1 | 1 | 1 | - | 1-455888-6 | SPACER, FRONT SHEAR DEP | 28 |
| 2 | 2 | 2 | - | 1-22284-0 | SPRING, DRAG | 27 |
| 1 | 1 | 1 | - | 356835-1 | LEVER, DRAG RELEASE | 26 |
| 1 | 1 | 1 | - | 240792-1 | DRAG, TERMINAL | 25 |
| 1 | 1 | 1 | - | 4-90765-5 | GUIDE, STRIP (REAR) | 24 |
| 1 | 1 | 1 | - | 693855-8 | GUIDE, STRIP (FRONT) | 23 |
| 1 | 1 | 1 | - | 1-456468-0 | STRIPPER | 22 |
| 1 | 1 | 1 | - | 3-22280-3 | SPRING, SHEAR | 12 |
| 1 | 1 | 1 | - | 690461-1 | STOP, SHEAR | 11 |
| 1 | 1 | 1 | - | 690459-9 | HOLDER, SHEAR (FRONT) | 10 |
| 1 | 1 | 1 | - | 454276-4 | SHEAR, FLOAT (FRONT) | 9 |
| 1 | 1 | 1 | - | 9-662520-5 | ANVIL | 8 |
| 1 | 1 | 1 | - | 1-455888-6 | SPACER, CRIMPER | 6 |
| 1 | 1 | 1 | - | 2-455889-1 | DEPRESSOR, SHEAR (FRONT) | 5 |
| 1 | 1 | 1 | - | 1-238011-2 | SPACER, BLOCK CRIMPER | 4 |
| 1 | 1 | 1 | - | 4-683454-0 | CRIMPER, INSULATION | 3 |
| 1 | 1 | 1 | - | 455888-6 | SPACER, CRIMPER | 2 |
| 1 | 1 | 1 | - | 4-1490019-2 | CRIMPER, WIRE | 1 |
| -3 | -2 | -1 | U/M | PART NO | DESCRIPTION | ITEM NO |
| QTY | REQD | PER | ASSY | PARTS LIST | | |



- 1 RECOMMENDED SPARE PARTS.
- 2 GREASE LIGHTLY.
- 3 GUARD MUST BE IN PLACE WHEN OPERATING APPLICATOR IN A BENCH MACHINE.
- 4 SEE DRAWING FOR COMPONENTS
- 5 REAR STRIP GUIDE TO GUIDE ON INSULATION BARREL.
- 6 ITEM 43, TRIM TO FIT OUTSIDE DIAMETER OF ITEM 42 IN ASSY



THIS DRAWING IS A CONTROLLED DOCUMENT.

| | | |
|------------------|------------------|--------------------------------|
| DW: ELHIGMAN | 01MAR05 | Tyco Electronics Corporation |
| CHK: T.ELBIN | 01MAR05 | Harrisburg, PA 17105-3608 |
| APP: T.ELBIN | 01MAR05 | NAME: SIDE FEED HDM APPLICATOR |
| PRODUCT SPEC | | |
| APPLICATION SPEC | | |
| SIZE: A1 | CAGE CODE: 00779 | DRAWING NO: 1852016 |
| WEIGHT | | |
| CUSTOMER DRAWING | SCALE | SHEET 1 of 1 |