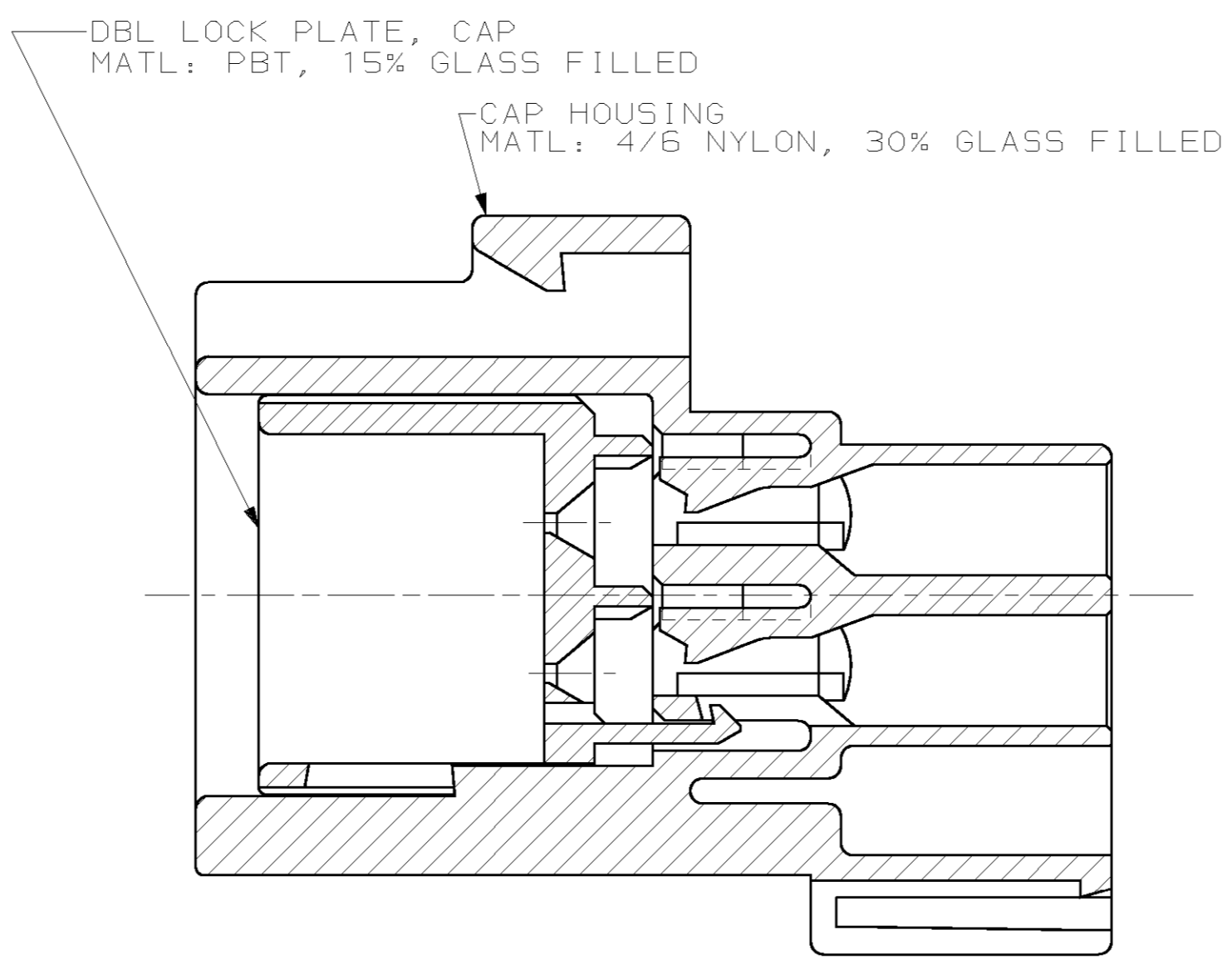
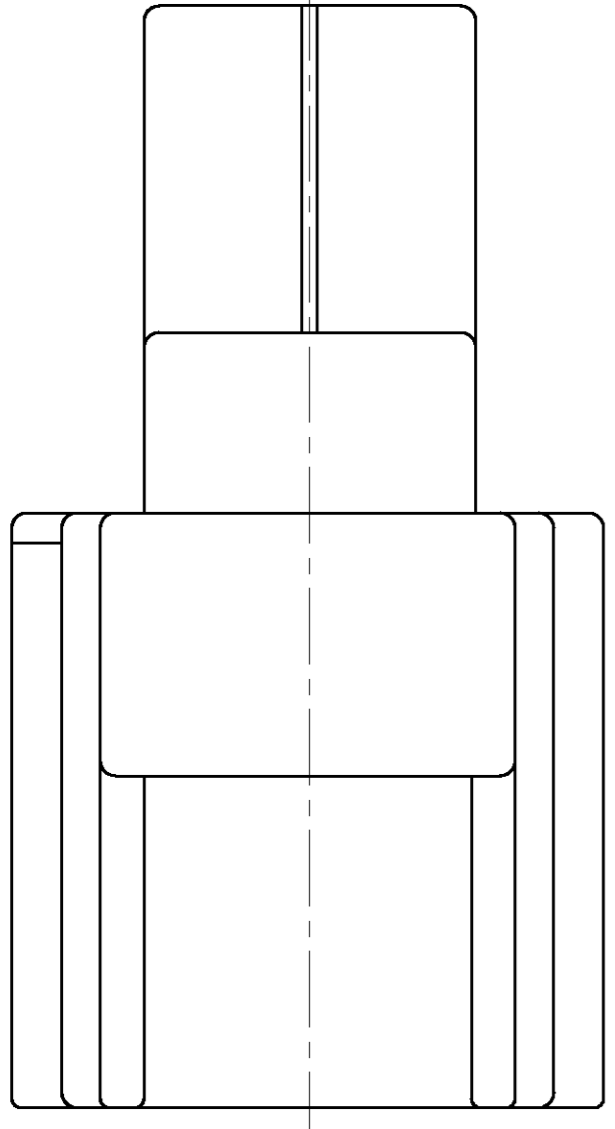
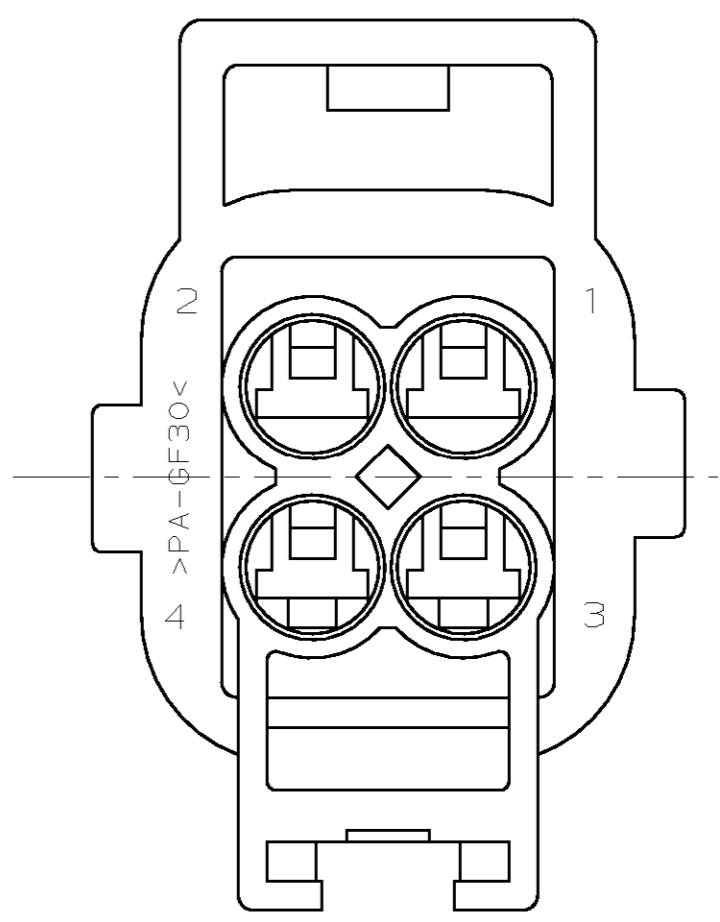
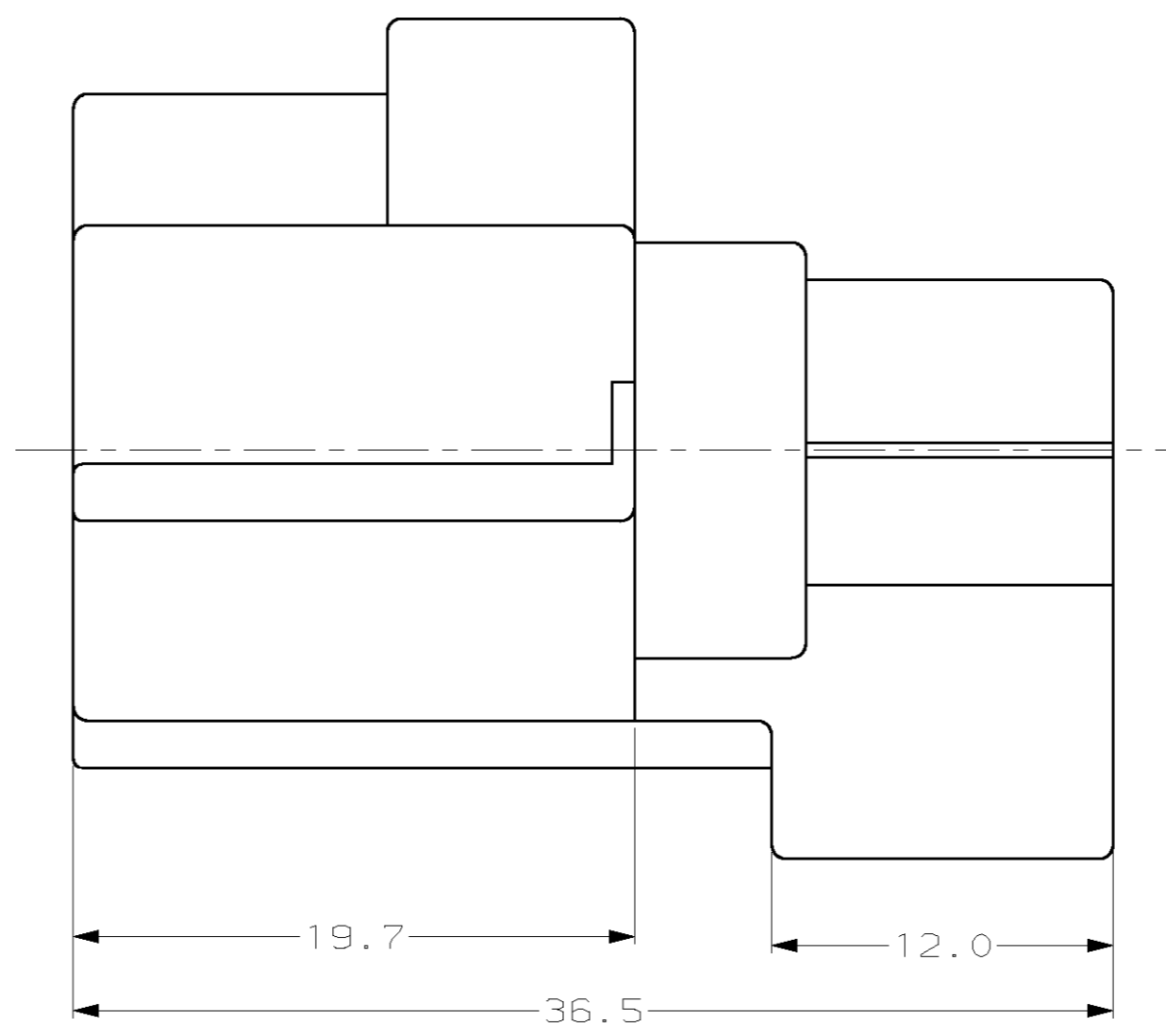
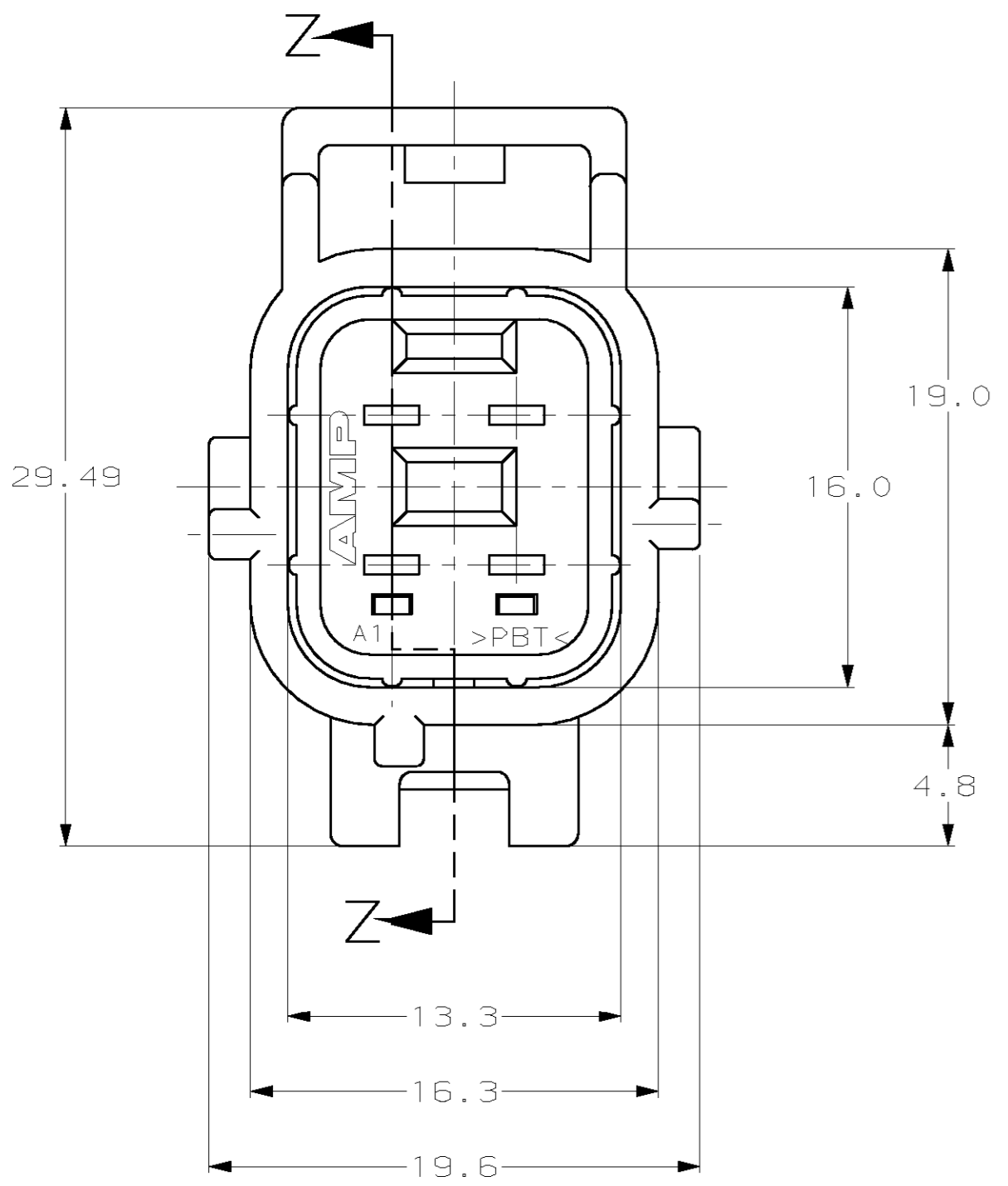


THIS DRAWING IS UNPUBLISHED. RELEASED FOR PUBLICATION .19
 © COPYRIGHT 19 BY AMP INCORPORATED. ALL RIGHTS RESERVED.

LOC	DIST	REVISIONS			
P	LTR	DESCRIPTION	DATE	DWN	APVD
GE	00				
	D	REVISED PER OK40-0023-00	04FEB99	PY	GI
	E	REV PER EC# OK40-0143-00	6-22-00	PC	MH



SECTION Z-Z



GRAY	184334-2
NATURAL	184334-1
CAP COLOR	PART NUMBER

THIS DRAWING IS A CONTROLLED DOCUMENT.		DWN P. YEAGER	04JUN99	AMP AMP Incorporated Harrisburg, PA 17105-3608
DIMENSIONS: mm		CHK J. KUNKLE	04JUN99	
TOLERANCES UNLESS OTHERWISE SPECIFIED:		APVD J. KUNKLE	04JUN99	NAME
0 PLC ±-		PRODUCT SPEC		2 X 2 CAP ASY, KEY H-C4
1 PLC ±0.3		APPLICATION SPEC		SIZE
2 PLC ±0.15		WEIGHT		CAGE CODE
3 PLC ±-		CUSTOMER DRAWING		DRAWING NO
4 PLC ±-		SCALE 4:1		A2 00779
ANGLES ±-		SHEET 1 OF 1		REV E
FINISH ±-		REV		