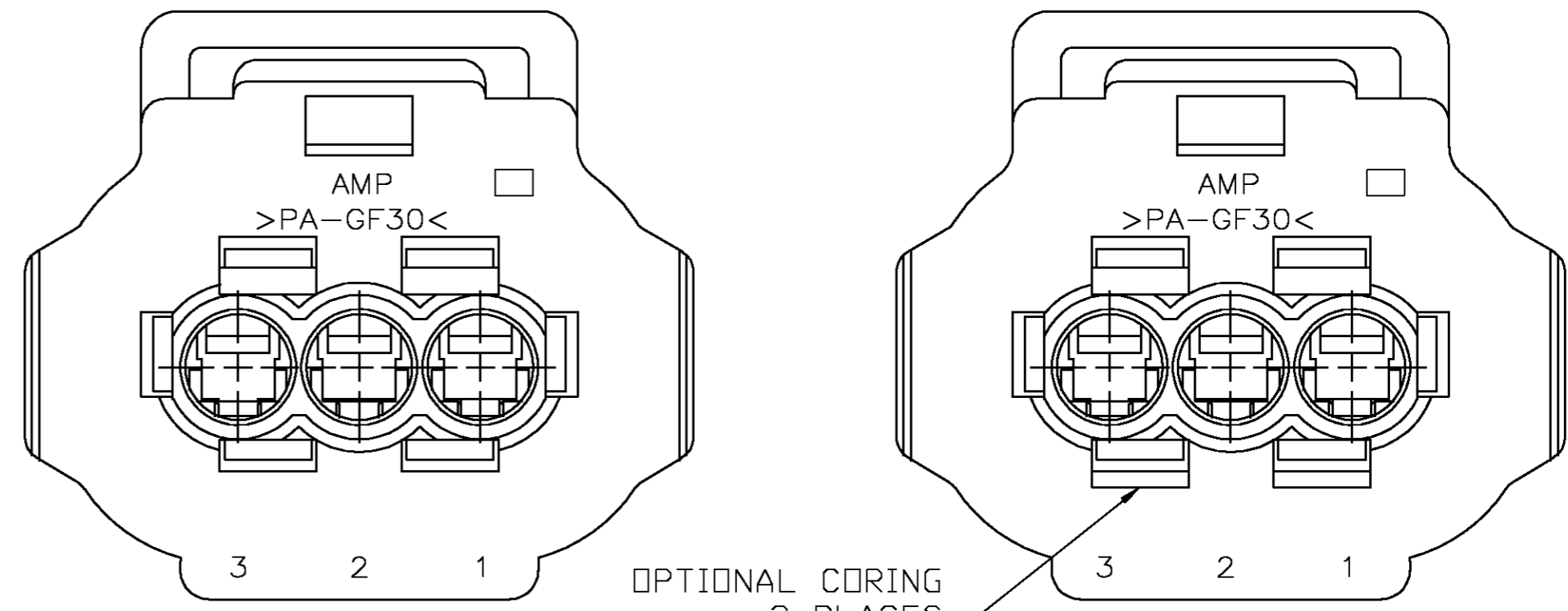
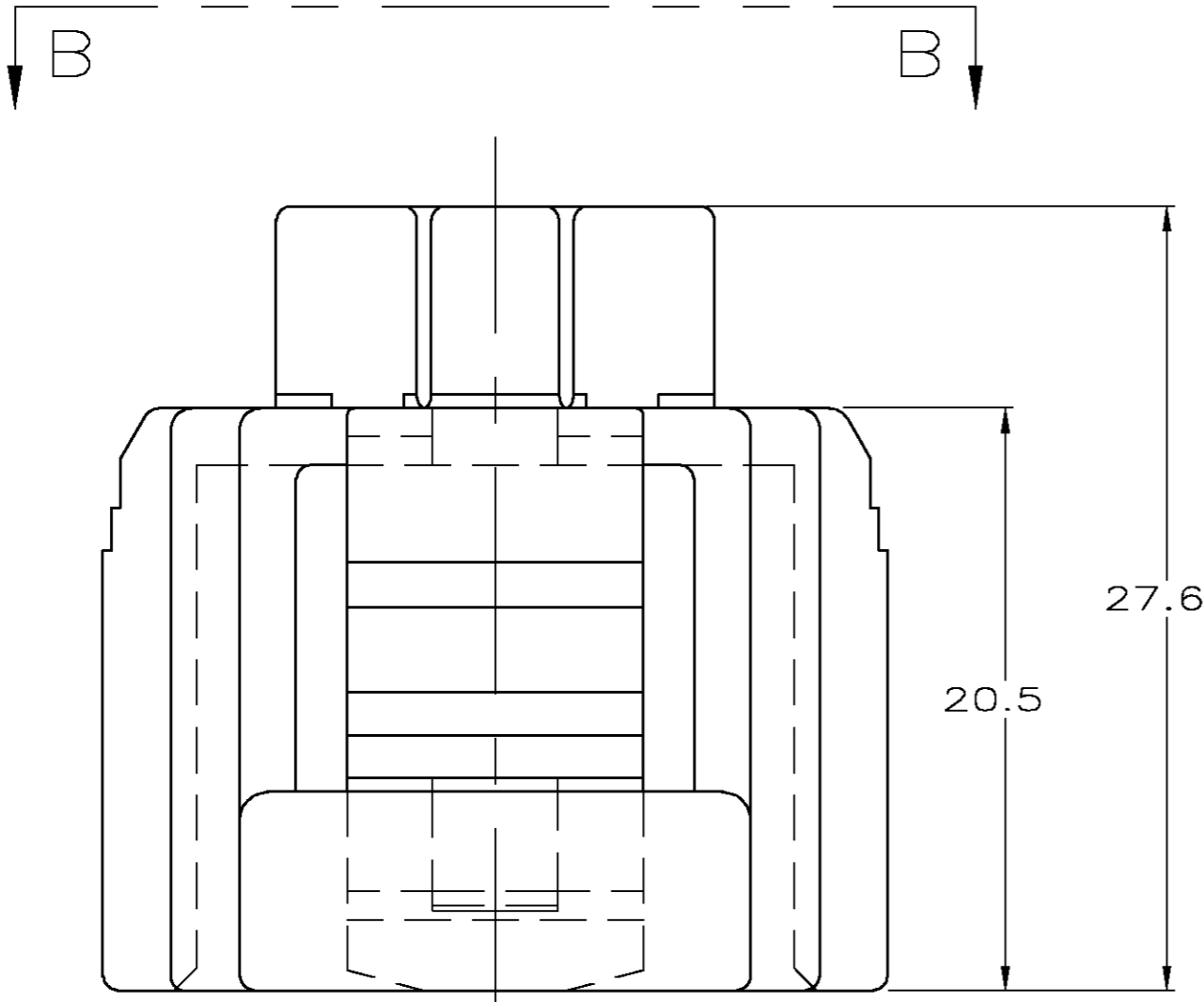
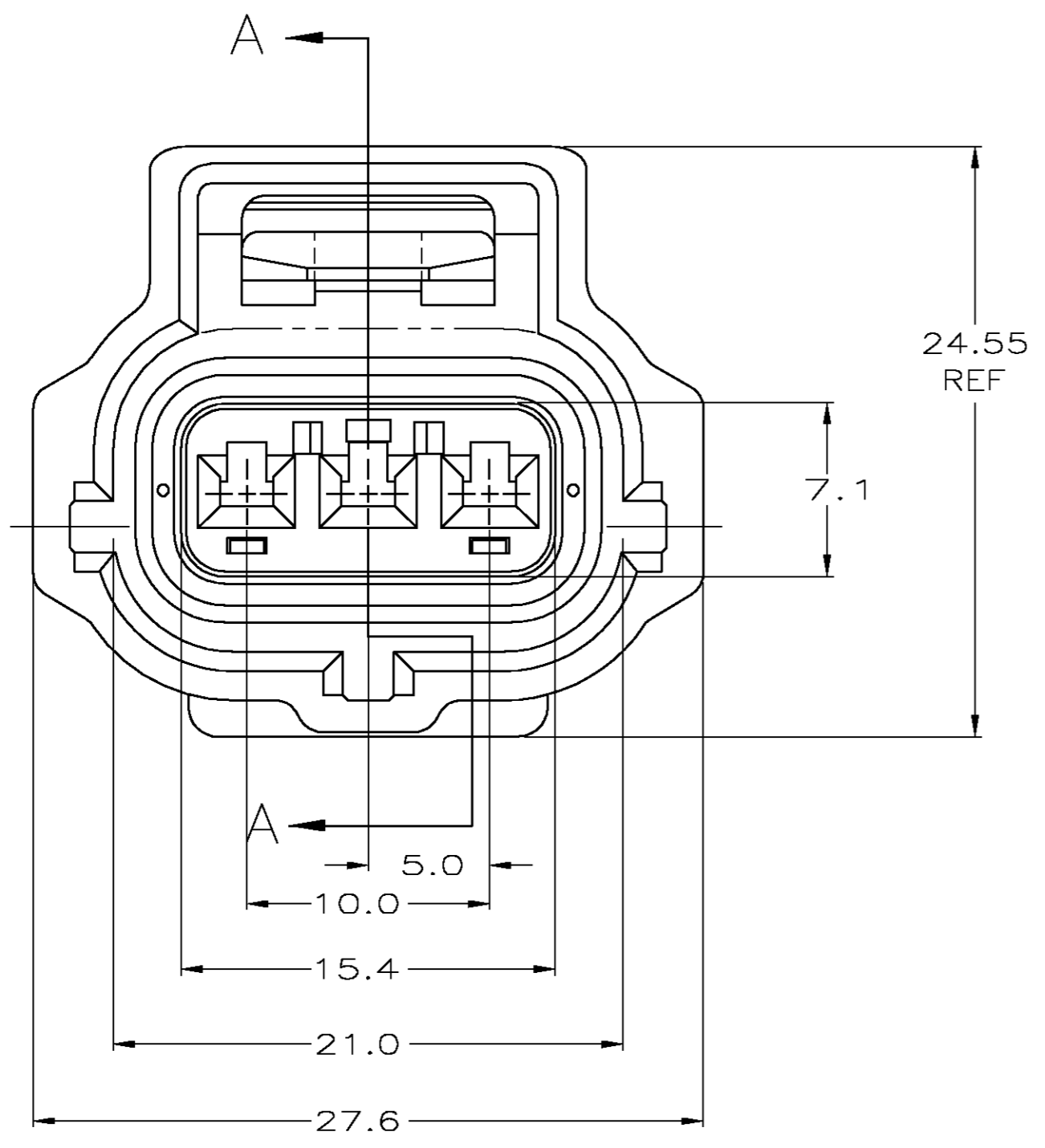


THIS DRAWING IS UNPUBLISHED. RELEASED FOR PUBLICATION  
 © COPYRIGHT BY TYCO ELECTRONICS CORPORATION. ALL RIGHTS RESERVED.

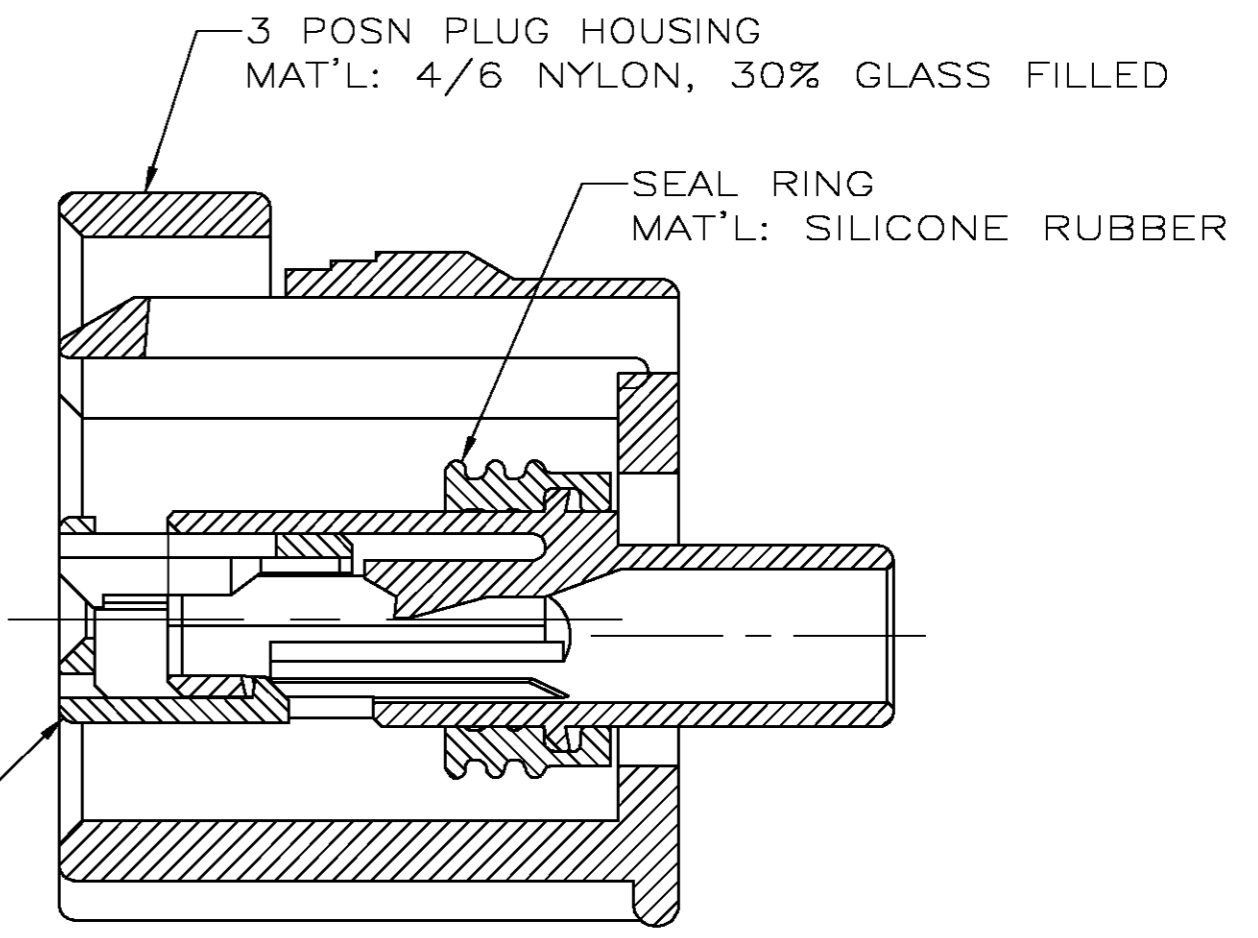
LOC	DIST	REVISIONS			
P	LTR	DESCRIPTION	DATE	DWN	APVD
GE	00	E	REVISED PER EC OK40-0387-04	19NOV2004	DLD KLK



VIEW B-B



KEYING TYPE B



SECTION A-A

THIS DRAWING IS A CONTROLLED DOCUMENT.		DWN	KD LYTLE	05/05/98	<table border="1"> <tr> <td>BLACK</td> <td>184315-1</td> </tr> <tr> <td>HOUSING COLOR</td> <td>PART NUMBER</td> </tr> <tr> <td colspan="2">  Tyco Electronics Corporation            Harrisburg, PA 17105-3608         </td> </tr> <tr> <td colspan="2">1 X 3 PLUG ASSEMBLY KEY B-C4</td> </tr> </table>	BLACK	184315-1	HOUSING COLOR	PART NUMBER	Tyco Electronics Corporation Harrisburg, PA 17105-3608		1 X 3 PLUG ASSEMBLY KEY B-C4	
BLACK	184315-1												
HOUSING COLOR	PART NUMBER												
Tyco Electronics Corporation Harrisburg, PA 17105-3608													
1 X 3 PLUG ASSEMBLY KEY B-C4													
DIMENSIONS: MM		CHK	JP KUNKLE	05/12/98									
TOLERANCES UNLESS OTHERWISE SPECIFIED:		APVD	JP KUNKLE	05/12/98									
0 PLC ± - 1 PLC ± 0.3 2 PLC ± 0.3 3 PLC ± - 4 PLC ± - ANGLES ± 1° FINISH -		PRODUCT SPEC	-										
MATERIAL		APPLICATION SPEC	-										
-		WEIGHT	-										
-		CUSTOMER DRAWING	SCALE	4:1	<table border="1"> <tr> <td>SIZE</td> <td>CAGE CODE</td> <td>DRAWING NO</td> <td>RESTRICTED TO</td> </tr> <tr> <td>A2</td> <td>00779</td> <td>C=184315</td> <td>-</td> </tr> </table>	SIZE	CAGE CODE	DRAWING NO	RESTRICTED TO	A2	00779	C=184315	-
SIZE	CAGE CODE	DRAWING NO	RESTRICTED TO										
A2	00779	C=184315	-										
-		SHEET	1	OF 1	REV E								