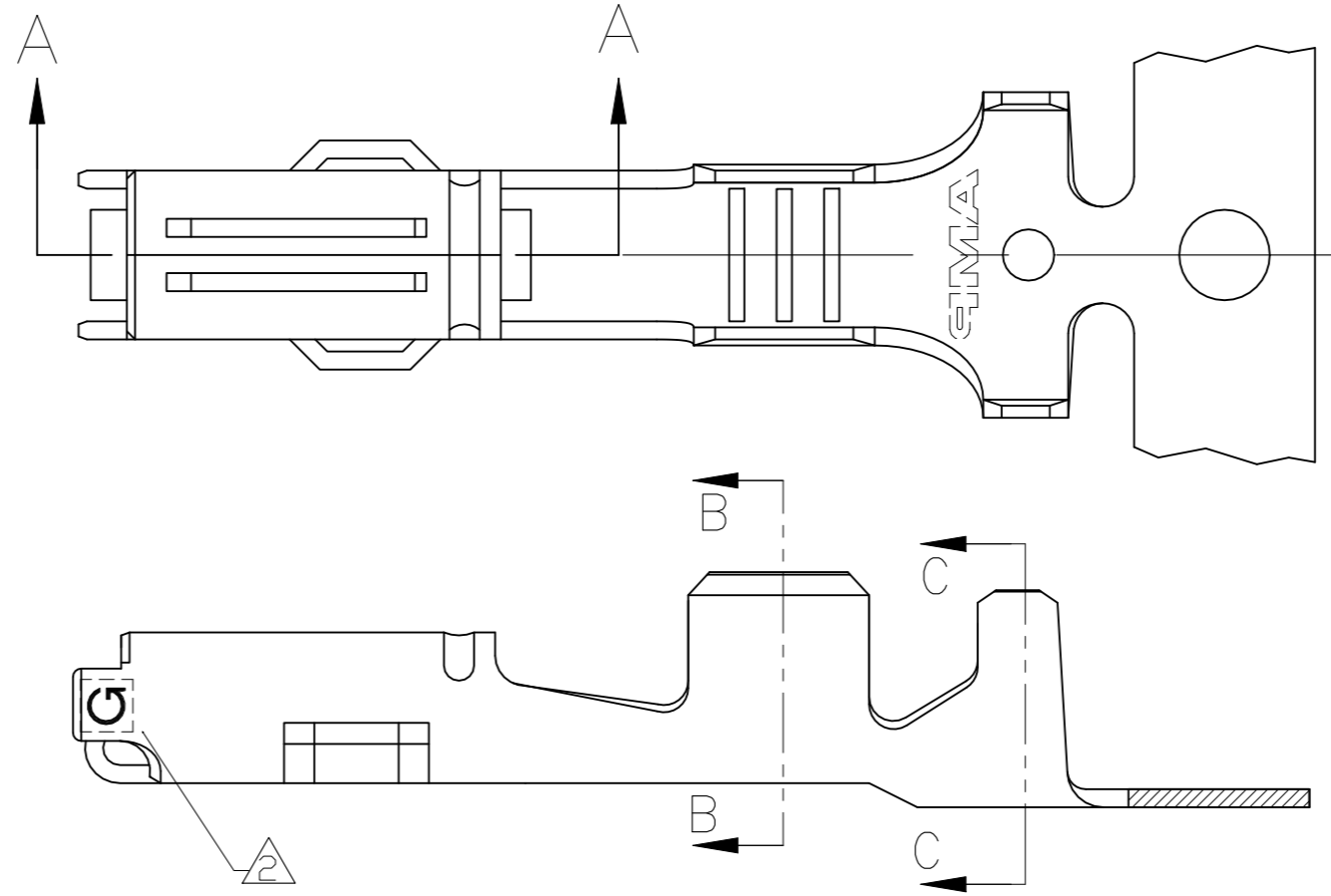
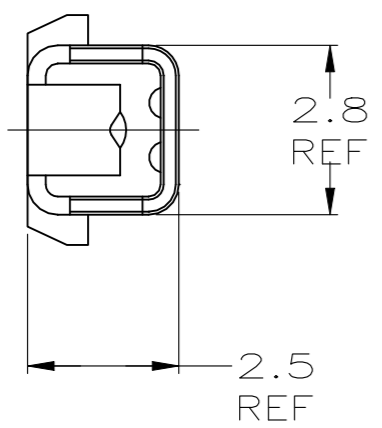


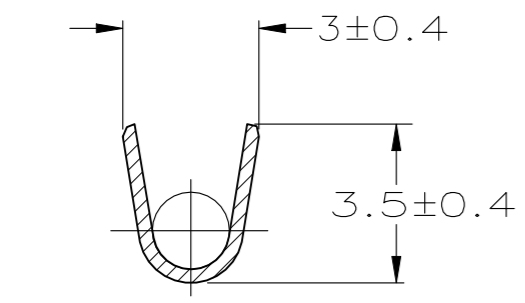
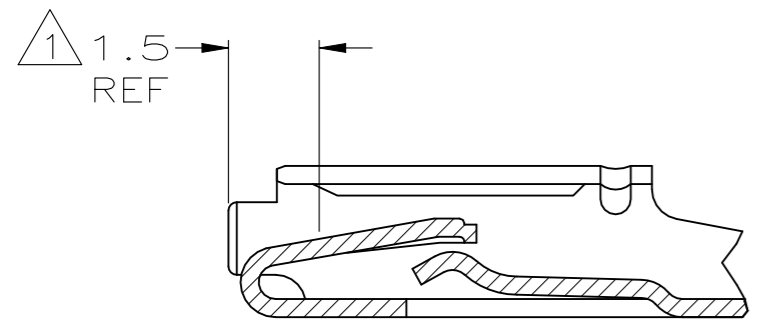
REVISIONS				
P	LTR	DESCRIPTION	DATE	APVD
D1		REV PER ECN-24-271487	20JUN2024	SMR CL



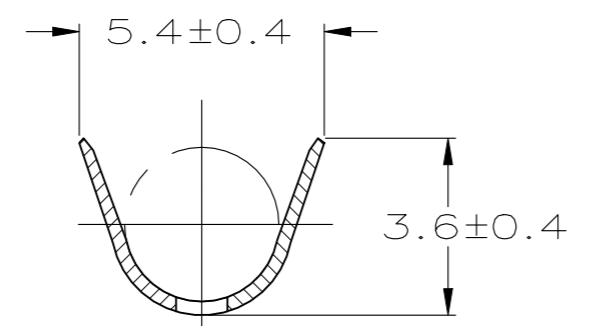
1 NYE FLUOROETHER GREASE
 2 FOR GOLD PLATED PART ONLY - AT LEAST ONE "G" INDICATOR MUST BE VISIBLE IN THIS LOCATION ON EITHER SIDE INDICATING GOLD PLATED CONTACT



SECTION A-A
SCALE 8:1



SECTION B-B



SECTION C-C

SELECT GOLD	1.2 - 2.7φ	AVS 0.5 - 2.0mm (#20 - #14 AWG)	1-184289-1
TIN	1.2 - 2.7φ	AVS 0.5 - 2.0mm ² (#20 - #14 AWG)	184289-3
SELECT GOLD	1.2 - 2.7φ	AVS 0.5 - 2.0mm ² (#20 - #14 AWG)	184289-1
FINISH	INSULATION DIAMETER	WIRE RANGE	PART NUMBER

THIS DRAWING IS A CONTROLLED DOCUMENT.		DWN K.WISE 04/14/97	TE Connectivity	
DIMENSIONS: mm		CHK E.OSWANDEL 04/15/97		
TOLERANCES UNLESS OTHERWISE SPECIFIED:		APVD E.OSWANDEL 04/15/97	NAME CONTACT, RECEPTACLE, .070	
0 PLC ± -	1 PLC ± 0.3	PRODUCT SPEC	-	
2 PLC ± -	3 PLC ± -	APPLICATION SPEC	-	
4 PLC ± -	ANGLES ± 2°	WEIGHT 0	SIZE A3	CAGE CODE 00779
MATERIAL PH BRZ (0.3 THK)	FINISH -	DRAWING NO C-184289		RESTRICTED TO -
CUSTOMER DRAWING			SCALE 8:1	SHEET 1 OF 1
			REV D1	