

4

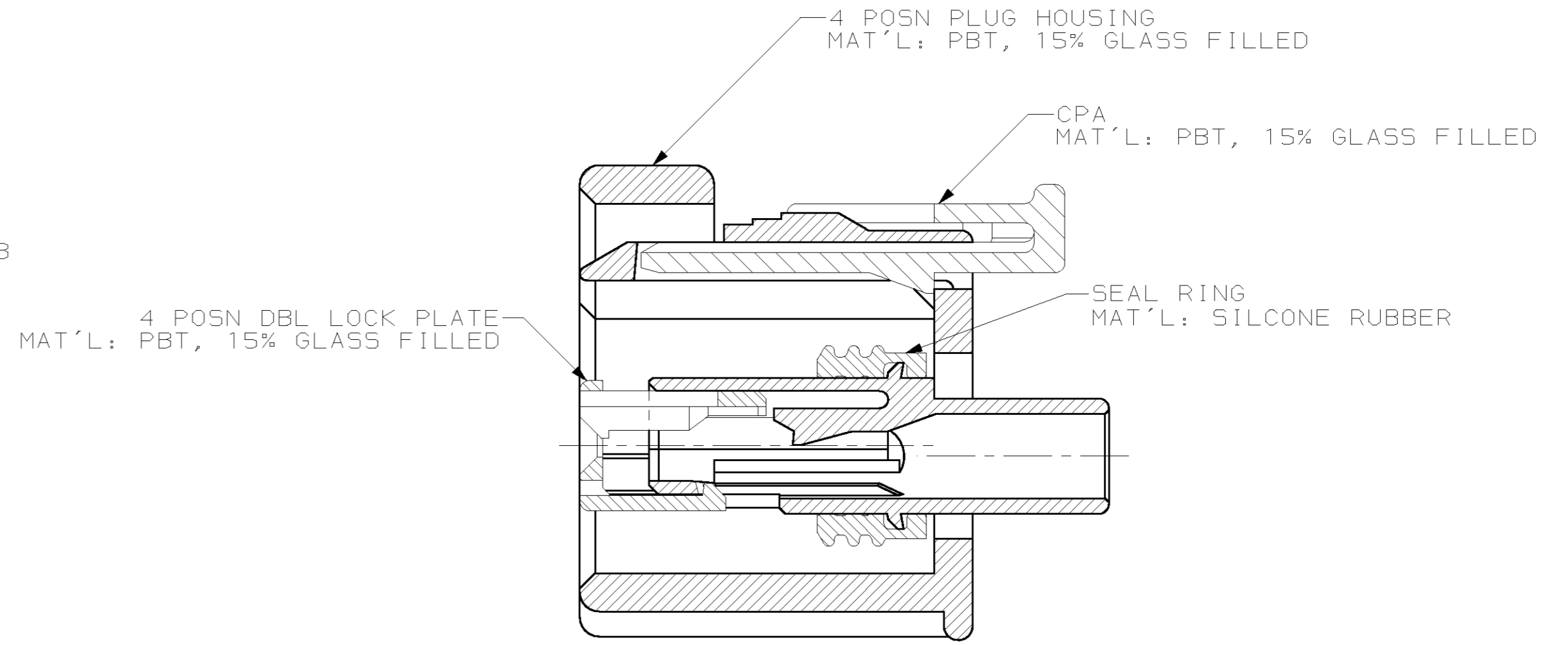
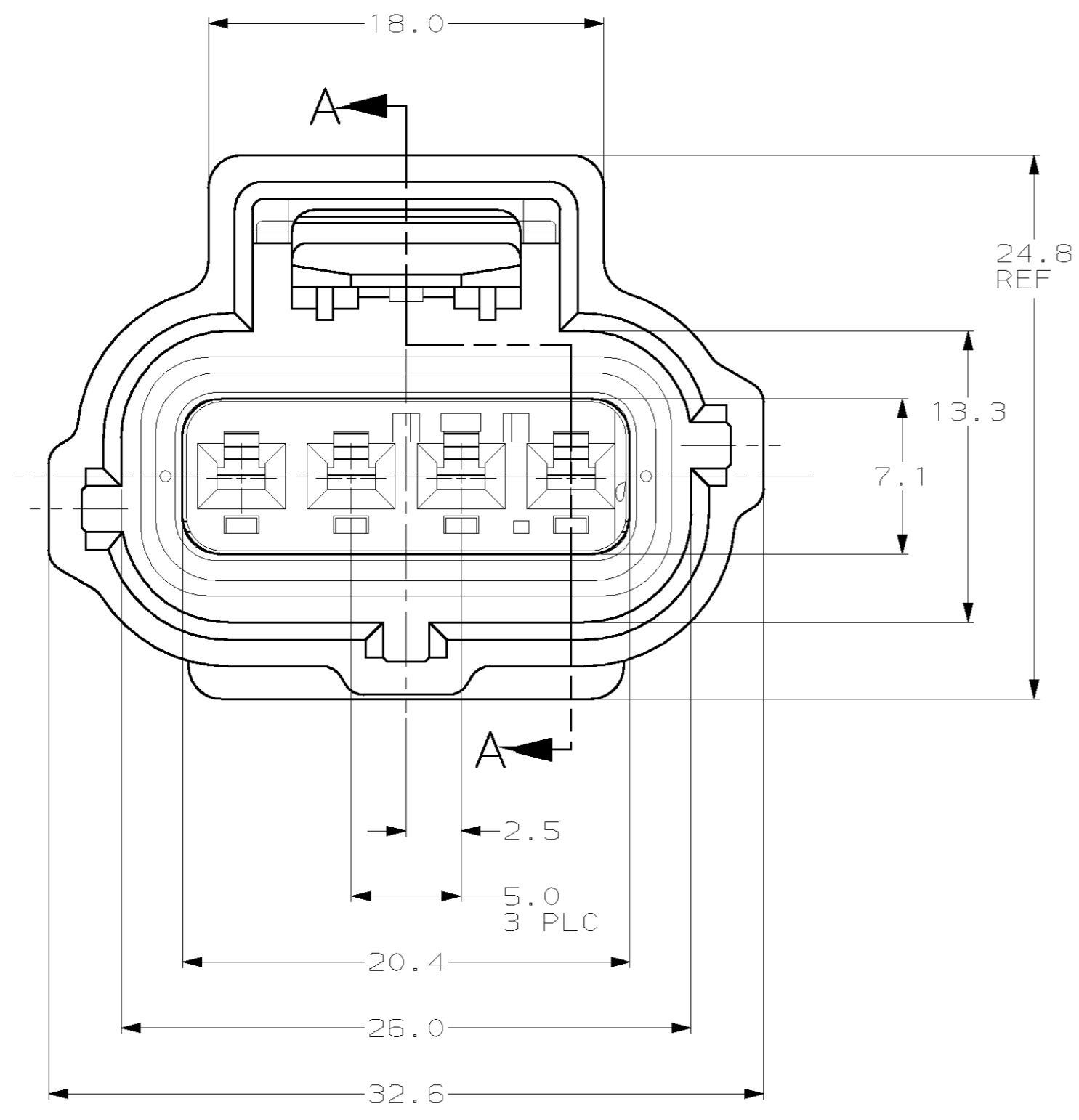
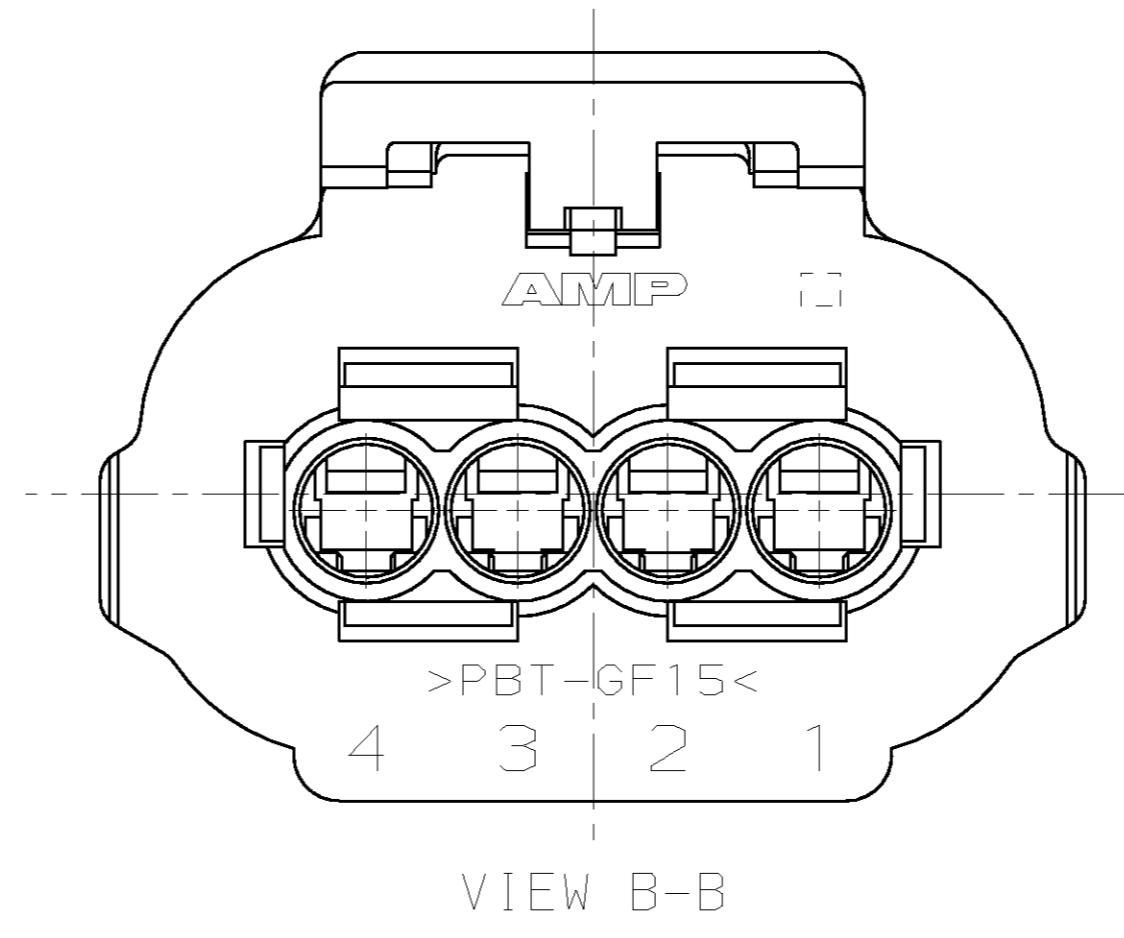
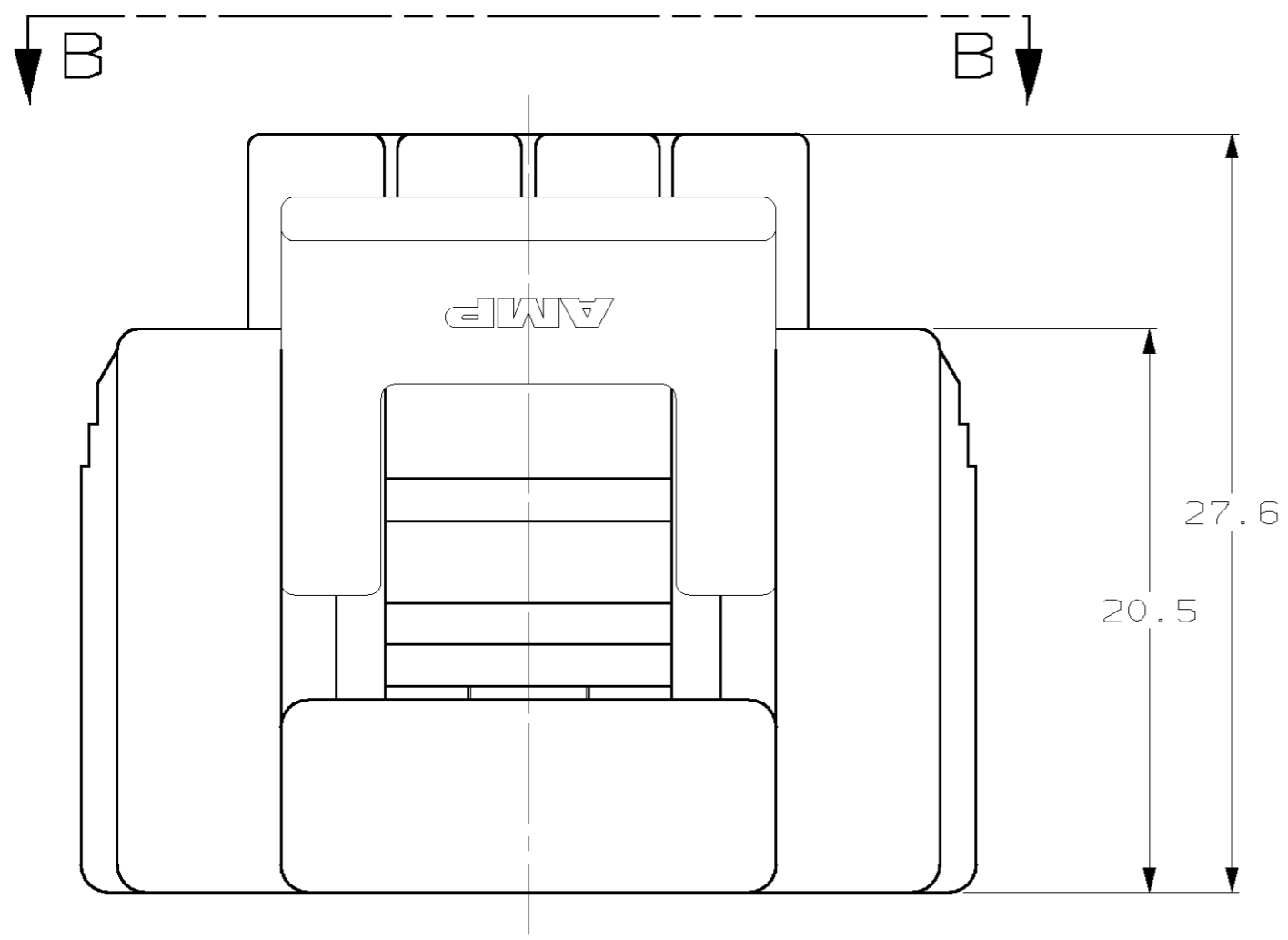
3

2

1

THIS DRAWING IS UNPUBLISHED. RELEASED FOR PUBLICATION .19  
 (C) COPYRIGHT 19 BY AMP INCORPORATED. ALL RIGHTS RESERVED.

LOC		DIST		REVISIONS			
P	LTR	DESCRIPTION	DATE	DWN	APVD		
G	16	0	RELEASED, WAS 95-4072-087-1	05/23/96	KW	CH	
		A	REV PER EC# 0K40-0138-00	7-10-00	PC	GI	



SECTION A-A

184276-1  
 PART NUMBER

<small>THIS DRAWING IS A CONTROLLED DOCUMENT FOR AMP INCORPORATED. IT IS SUBJECT TO CHANGE AND THE CONTROLLING ENGINEERING ORGANIZATION SHOULD BE CONTACTED FOR THE LATEST REVISION.</small>		DWN	K. WISE	05/23/96	AMP Incorporated Harrisburg, PA 17105-3608
DIMENSIONS: mm		CHK	C. HYRB	05/30/96	
<small>TOLERANCES UNLESS OTHERWISE SPECIFIED:</small>		APVD	C. HYRB	05/30/96	NAME
0 PLC ±- 1 PLC ±- 2 PLC ±0.3 3 PLC ±- 4 PLC ±- ANGLES ±- FINISH ±1°		PRODUCT SPEC	1 X 4 PLG ASY KEY D-C3 W/CPA		
MATERIAL -		APPLICATION SPEC	SIZE A2		
		WEIGHT -	CAGE CODE	00779	DRAWING NO. C-184276
		CUSTOMER DRAWING	SCALE	4:1	SHEET 1 OF 1 REV A

184276

A