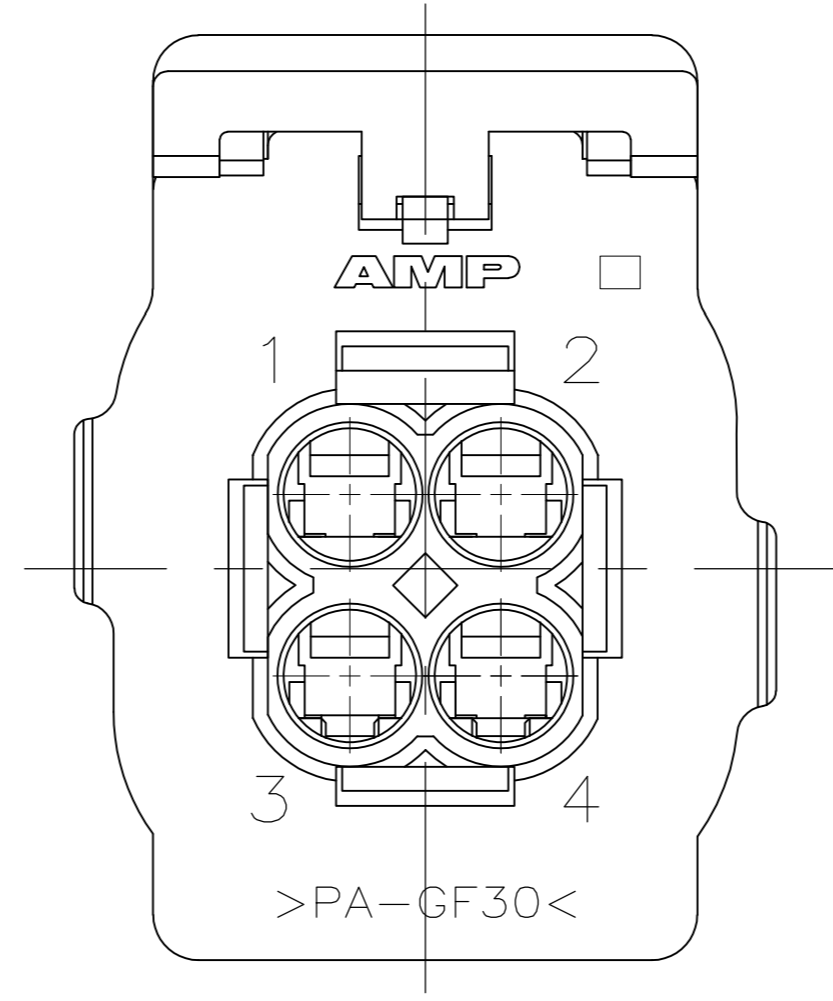
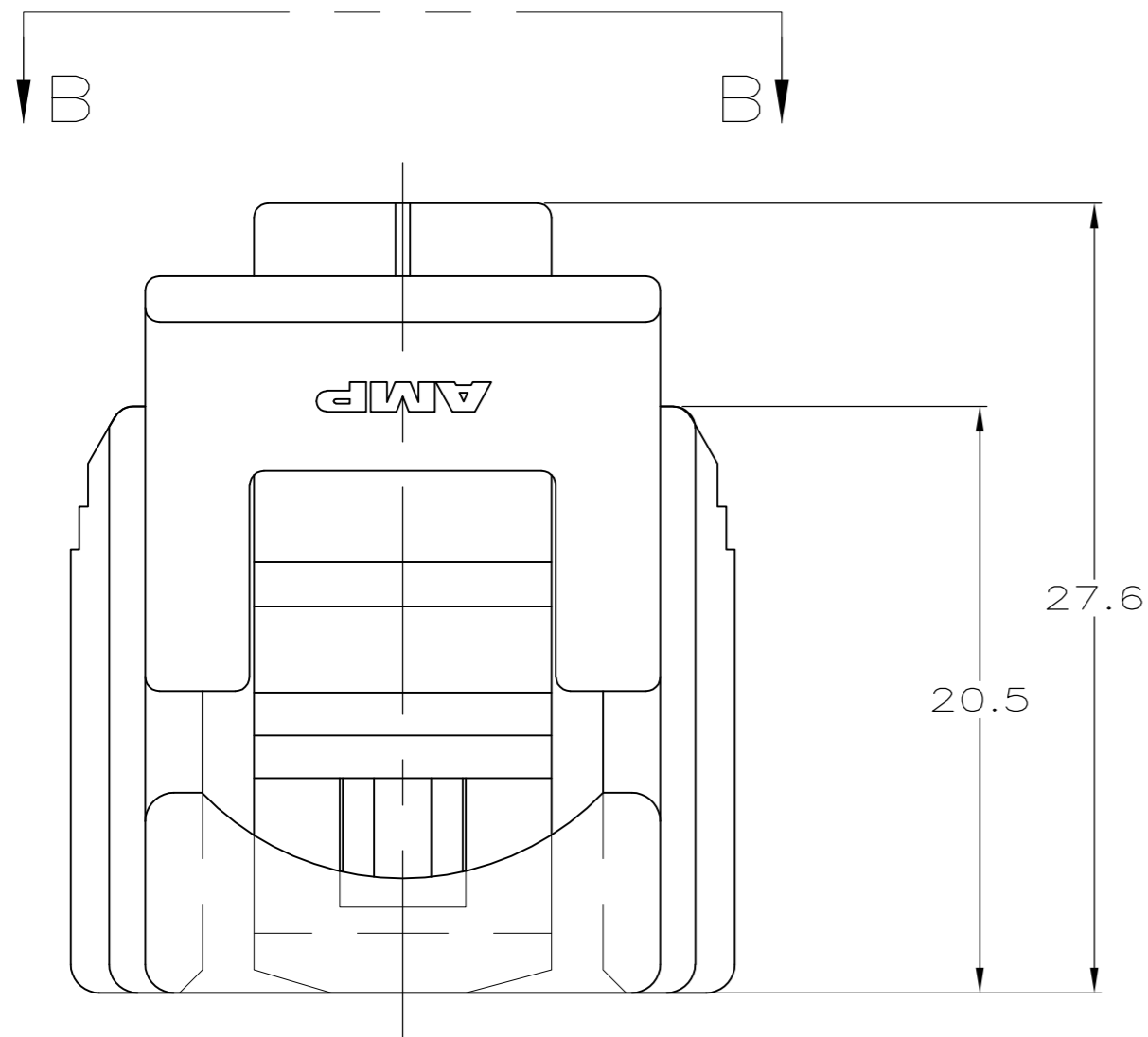
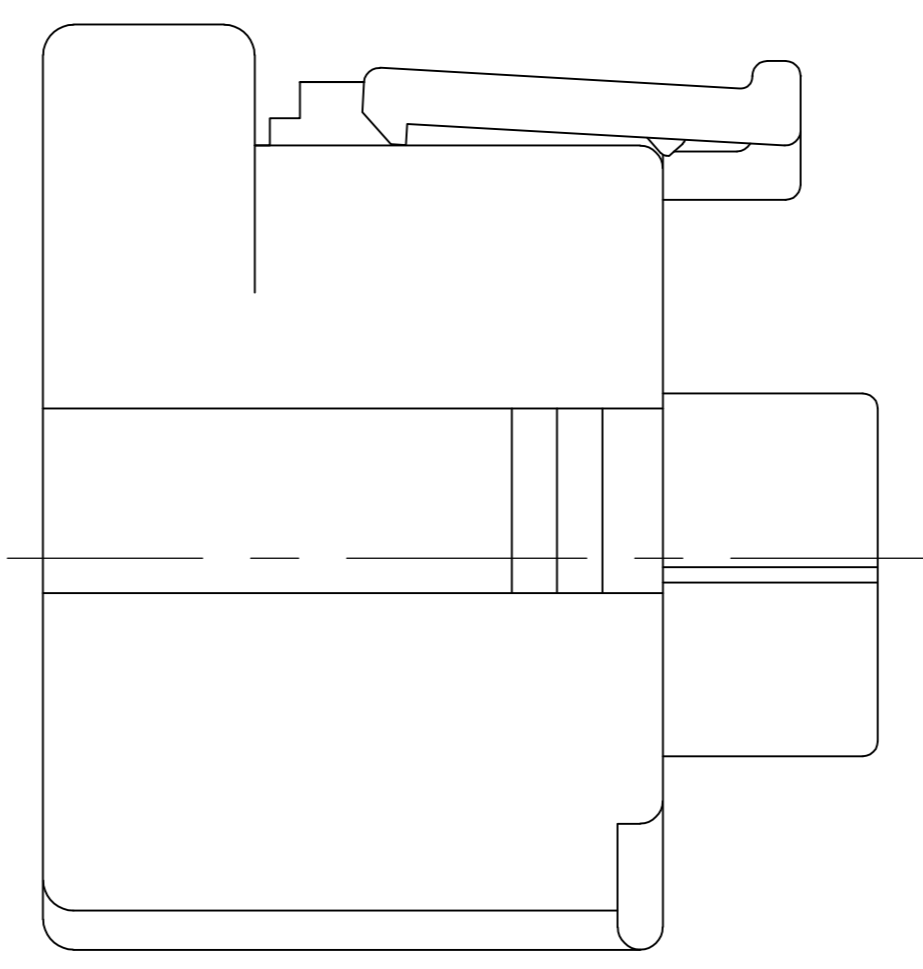
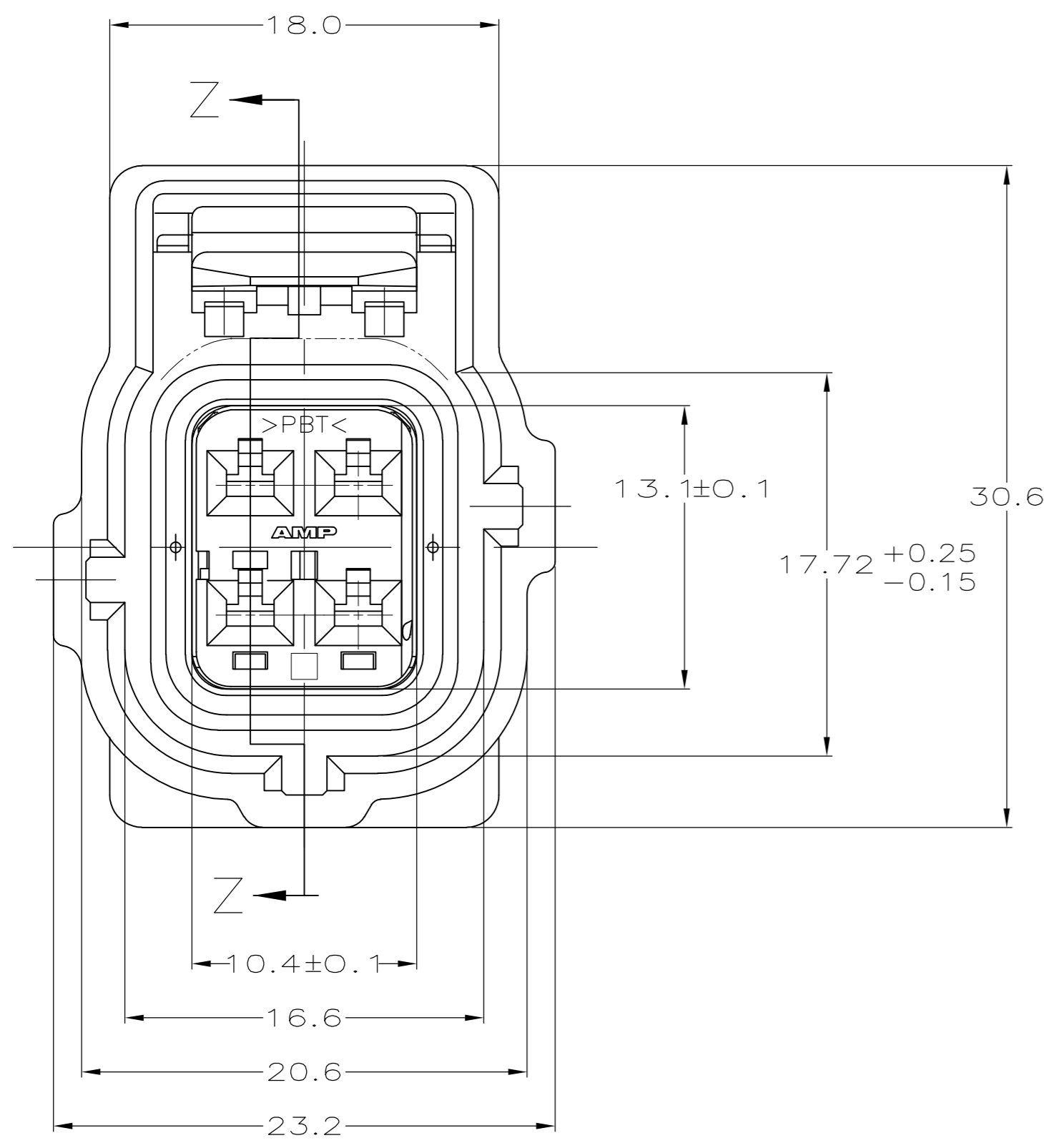


THIS DRAWING IS UNPUBLISHED. RELEASED FOR PUBLICATION
 © COPYRIGHT BY TYCO ELECTRONICS CORPORATION. ALL INTERNATIONAL RIGHTS RESERVED.

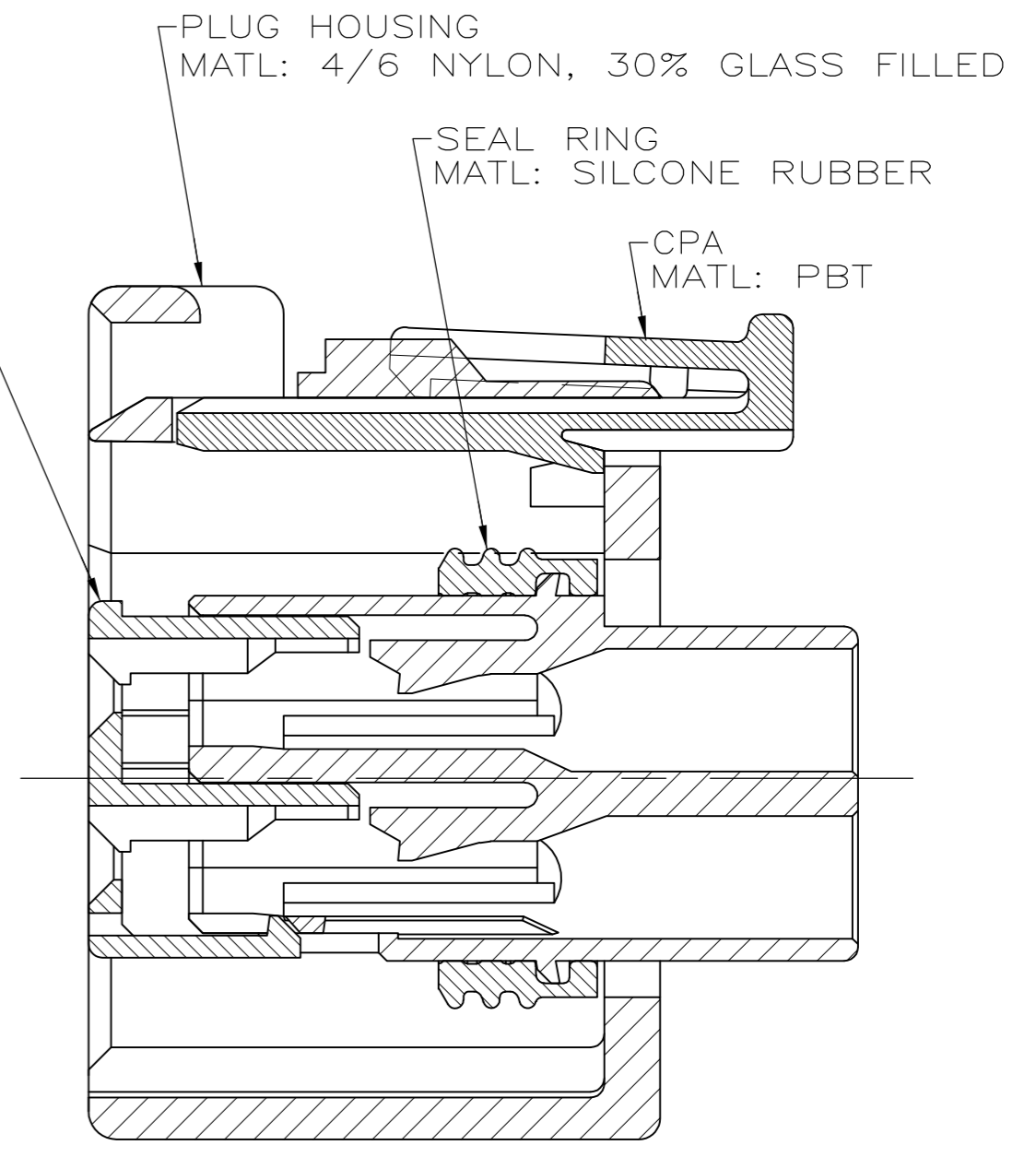
LOC	DIST	REVISIONS			
P	LTR	DESCRIPTION	DATE	DWN	APVD
GE	16	L	REVISED PER ECO-09-008507	09APR2009	DD MB



VIEW B-B



DBL LOCK PLATE
 MATL: PBT,
 15% GLASS FILLED



SECTION Z-Z
 SCALE 4:1

BLACK	184250-1
PLUG COLOR	PART NUMBER

THIS DRAWING IS A CONTROLLED DOCUMENT.		DWN	K LYTLE	04/19/96	 Tyco Electronics Corporation Harrisburg, PA 17105-3608
DIMENSIONS: mm		CHK	CT HYRB	04/26/96	
TOLERANCES UNLESS OTHERWISE SPECIFIED:		APVD	CT HYRB	04/26/96	
0 PLC ± - 1 PLC ± 0.3 2 PLC ± 0.15 3 PLC ± - 4 PLC ± - ANGLES ± - FINISH -		PRODUCT SPEC	NAME		
MATERIAL		APPLICATION SPEC	2 X 2 PLG ASY KEY B-C4 W/CPA		RESTRICTED TO
-		WEIGHT	-	SIZE	A2
-		CUSTOMER DRAWING	SCALE	4:1	SHEET 1 of 1
-		CAGE CODE		00779	REV L
-		DRAWING NO		C=184250	