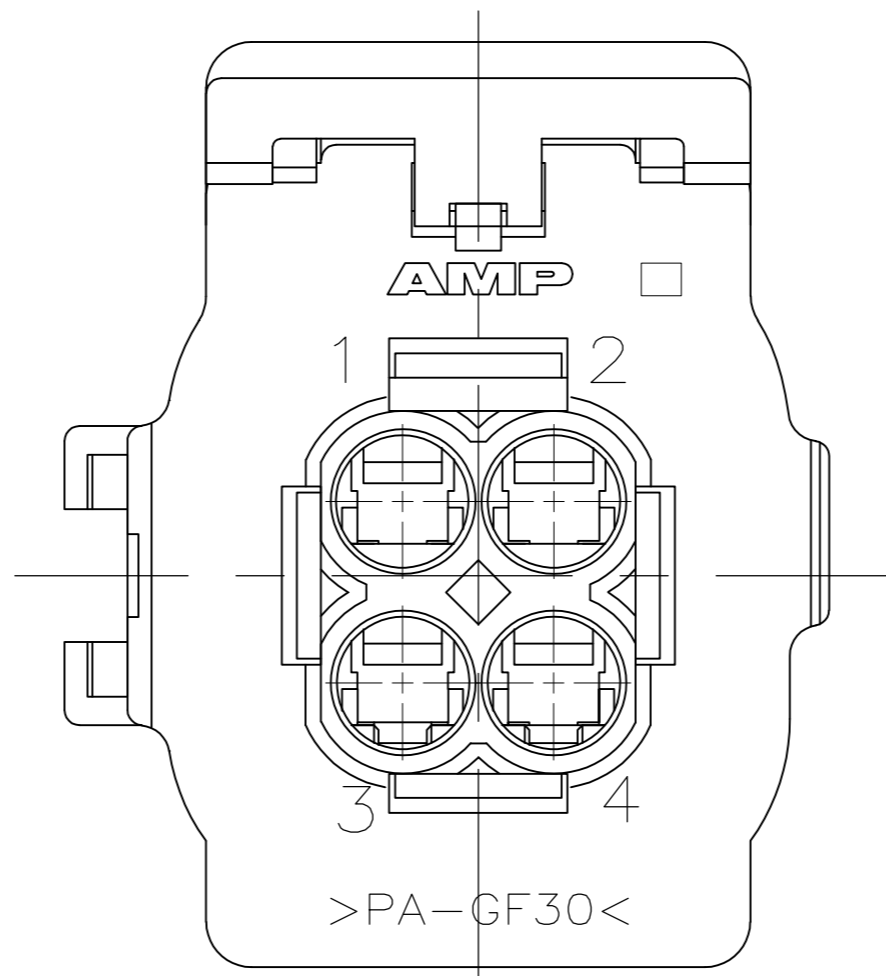
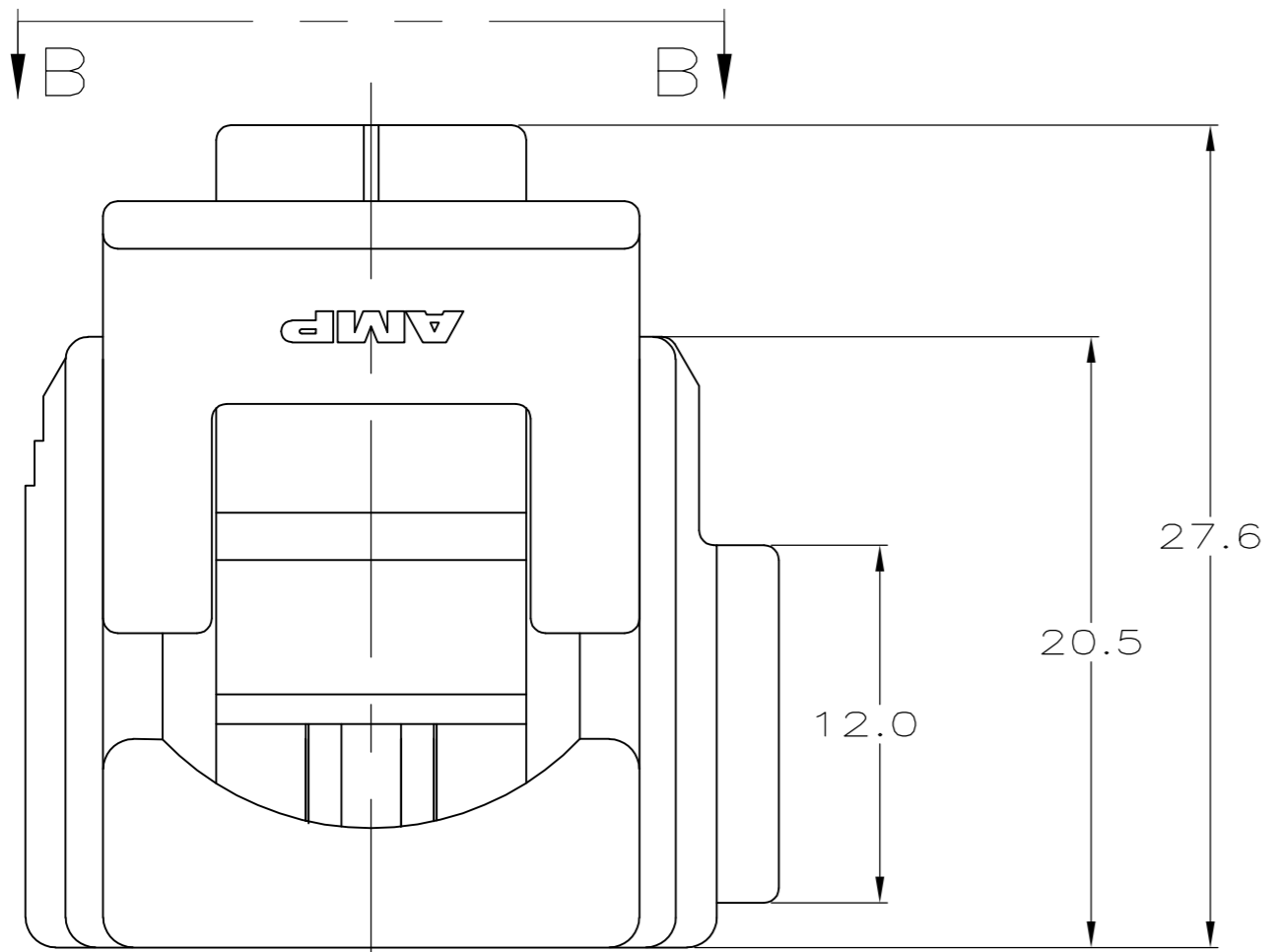
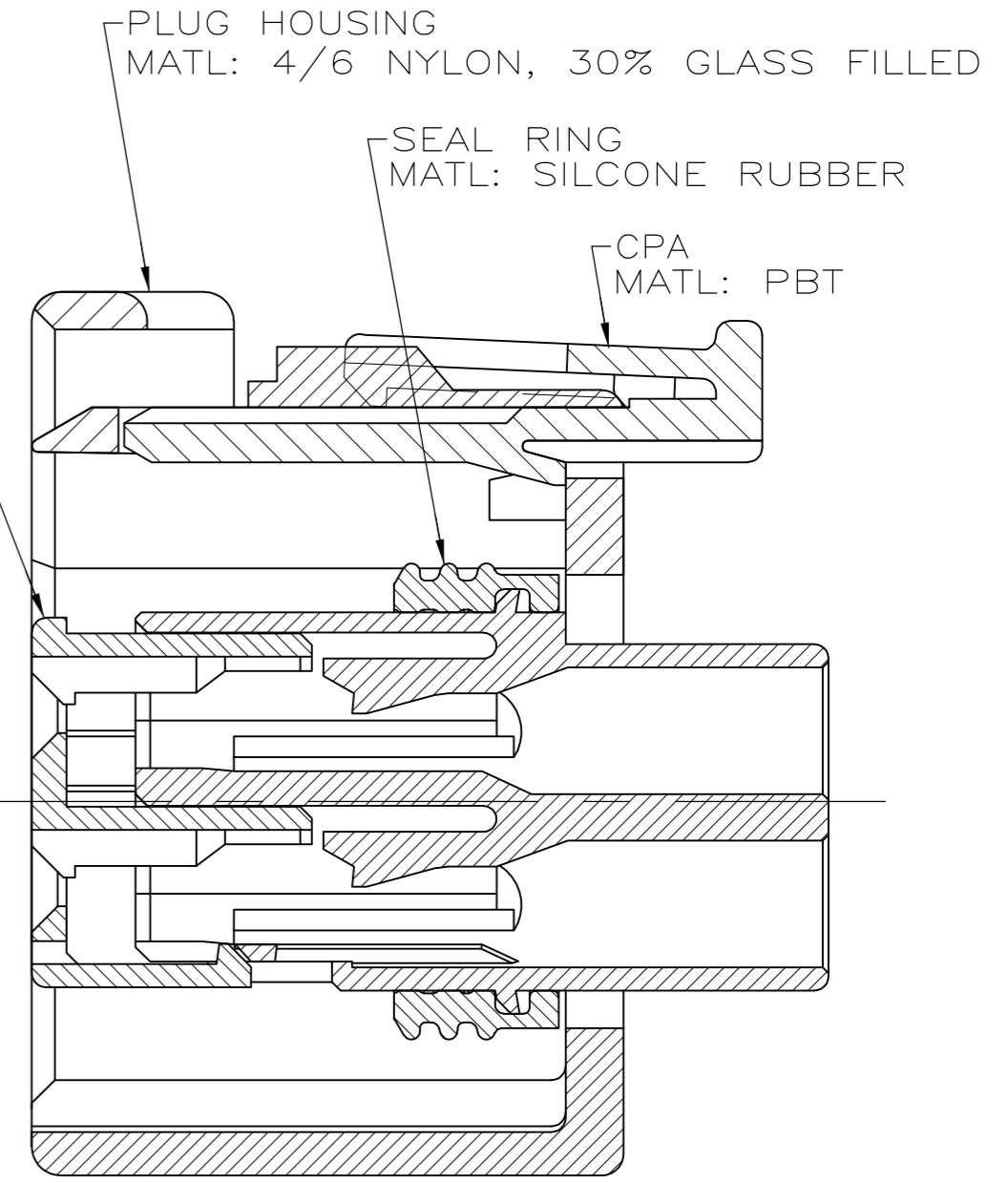
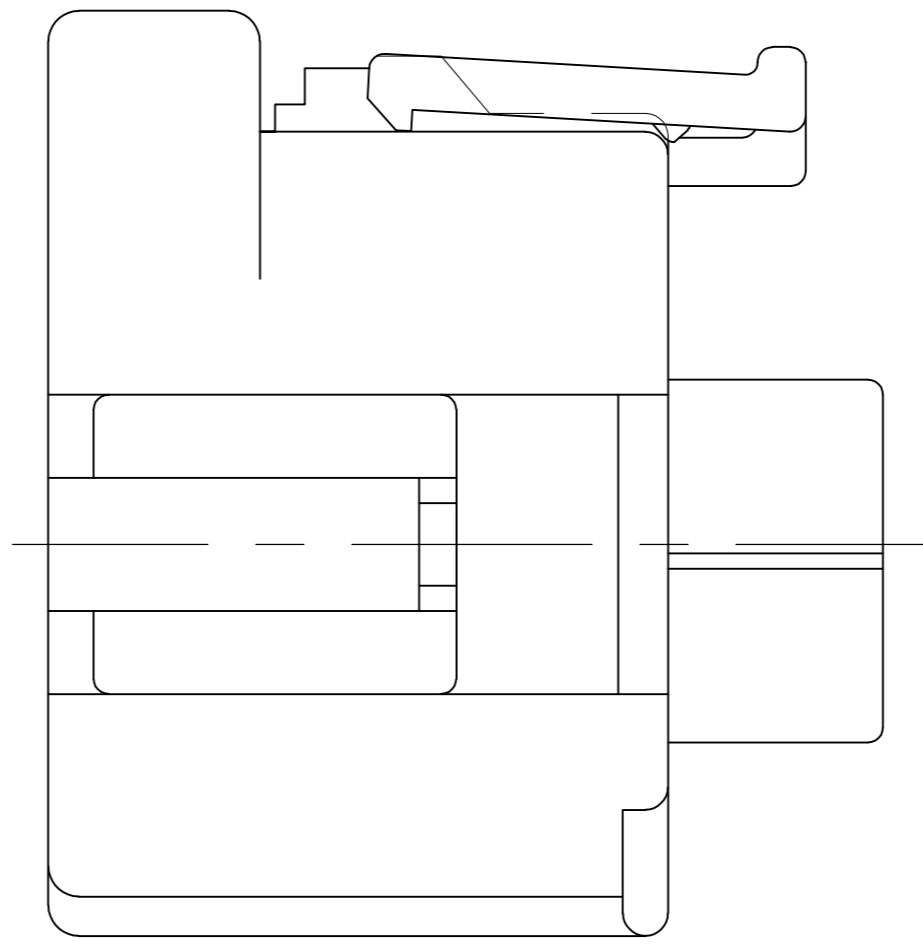


THIS DRAWING IS UNPUBLISHED. RELEASED FOR PUBLICATION  
 © COPYRIGHT BY TYCO ELECTRONICS CORPORATION. ALL INTERNATIONAL RIGHTS RESERVED.

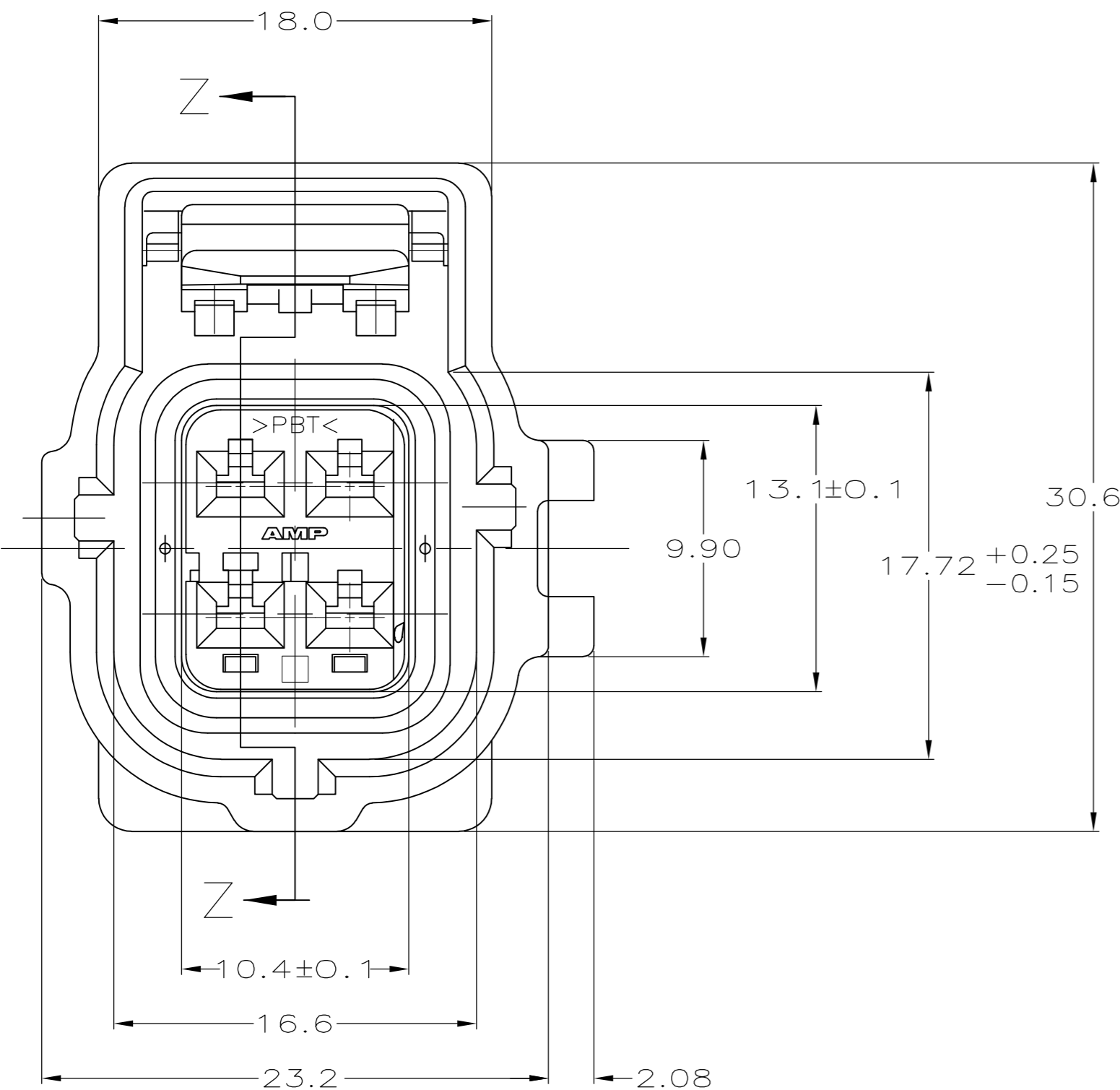
LOC	DIST	REVISIONS			
P	LTR	DESCRIPTION	DATE	DWN	APVD
GE	00	M	REVISED PER ECO-09-008507	09APR2009	DD MB



VIEW B-B DBL LOCK PLATE  
 MATL: PBT, 15% GLASS FILLED



SECTION Z-Z  
 SCALE 4:1



THIS DRAWING IS A CONTROLLED DOCUMENT.		DWN K LYTLE 04/18/96	Tyco Electronics Corporation Harrisburg, PA 17105-3608	
DIMENSIONS: mm		CHK CT HYRB 04/26/96	NAME	
TOLERANCES UNLESS OTHERWISE SPECIFIED:		APVD CT HYRB 04/26/96	2 X 2 PLG ASY KEY A-C4 W/MULT	
0 PLC ± -		PRODUCT SPEC	SIZE A2	CAGE CODE 00779
1 PLC ± 0.3		APPLICATION SPEC	DRAWING NO C=184244	RESTRICTED TO
2 PLC ± 0.15		WEIGHT	SCALE 4:1	SHEET 1 of 1
3 PLC ± -		MATERIAL	REV M	
4 PLC ± -		FINISH		
ANGLES ± -				
CUSTOMER DRAWING				