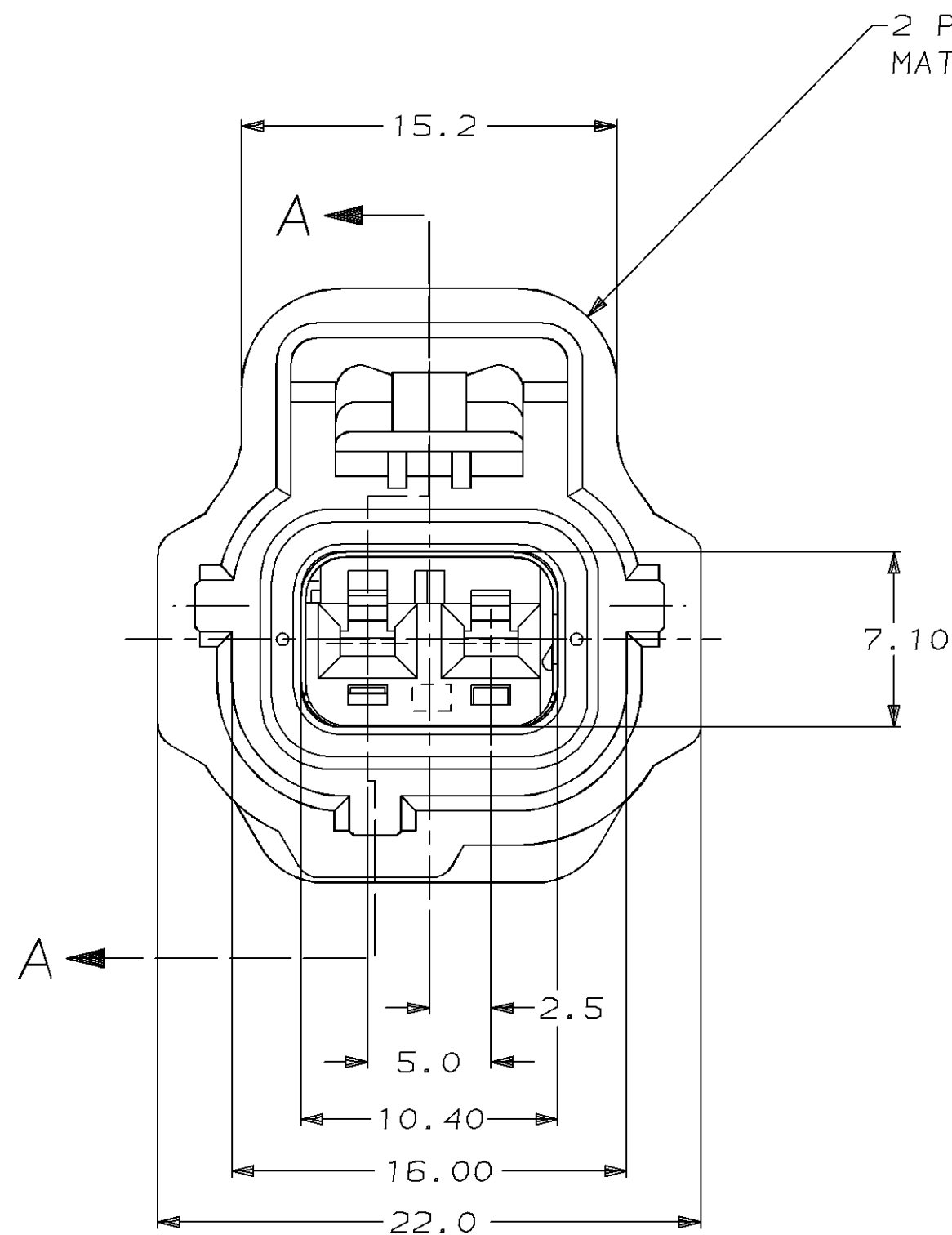
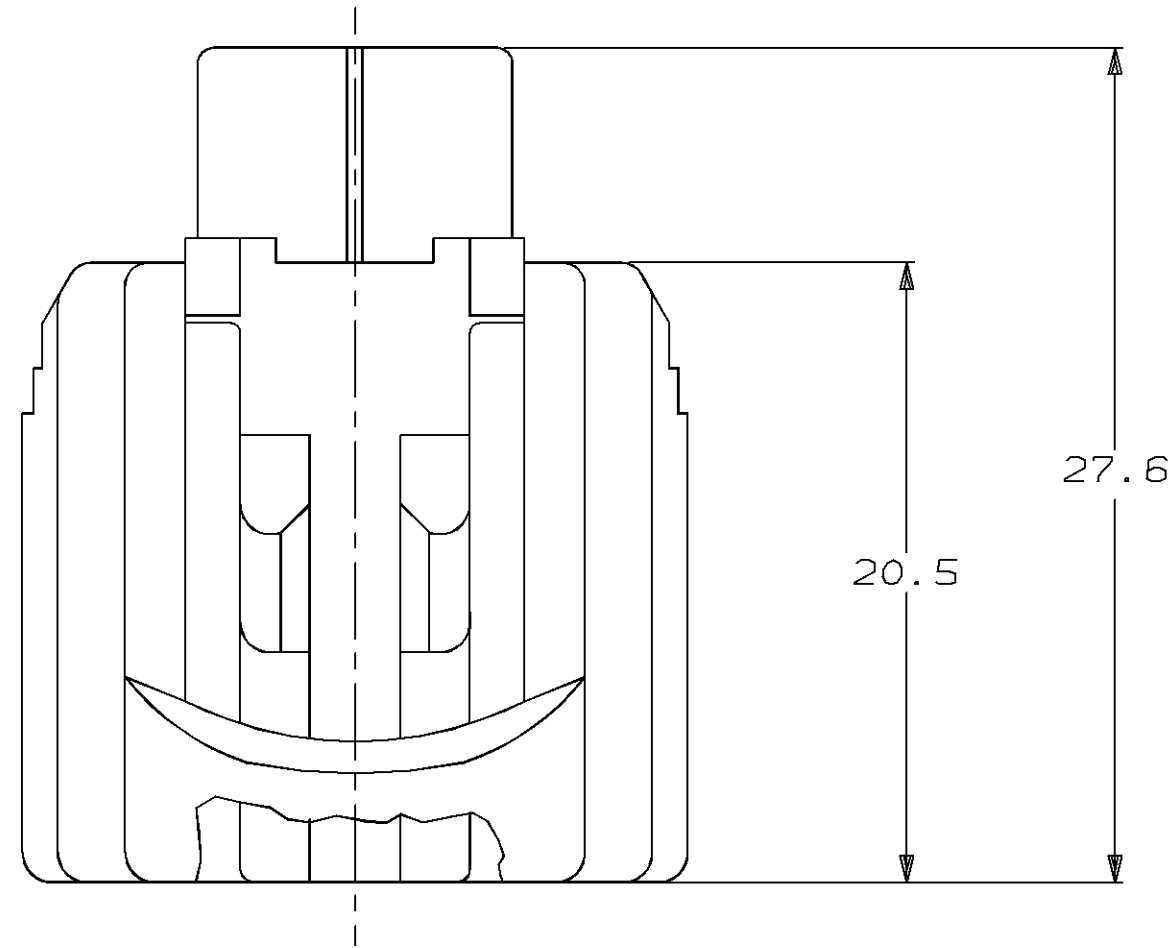


THIS DRAWING IS UNPUBLISHED. RELEASED FOR PUBLICATION
 © COPYRIGHT 19 BY AMP INCORPORATED. ALL RIGHTS RESERVED.

| LOC | DIST | REVISIONS | | | |
|-----|------|-------------|-----------------------------|----------|-------|
| P | LTR | DESCRIPTION | DATE | DWN | APVD |
| G | 16 | 0 | RELEASED, WAS 95-4072-99-10 | - | - |
| | | A | REV PER ECN 0K50-0003-96 | 08/14/96 | KW JK |

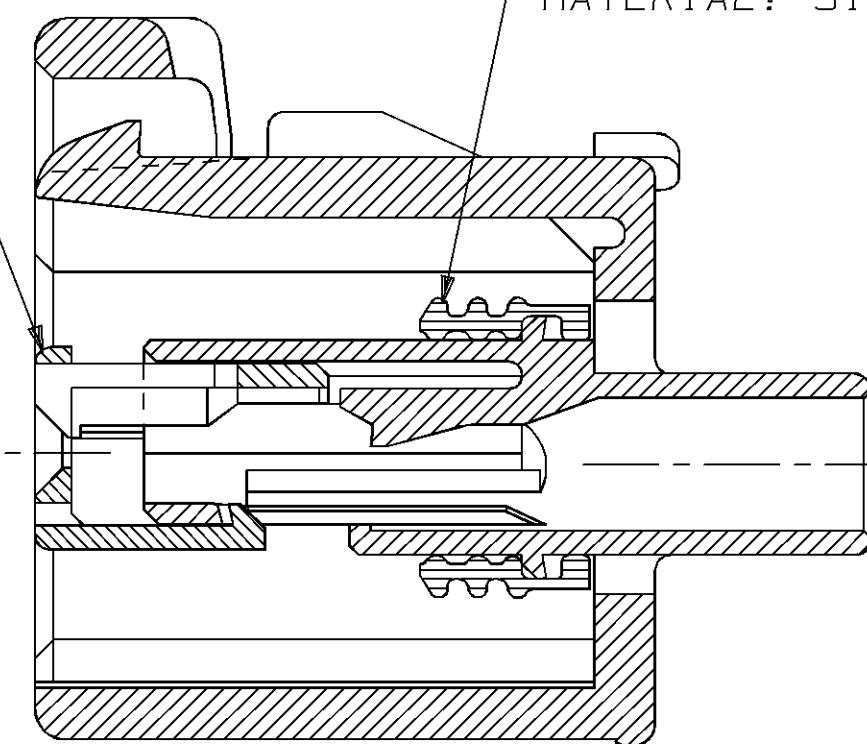


KEYING TYPE L

2 POSN PLUG
 MATERIAL: 4/6 NYLON, 30% GLASS FILLED

2 POSN. DOUBLE LOCK PLATE
 MATERIAL: PBT, UNFILLED

SEAL RING
 MATERIAL: SILICONE RUBBER



SECTION A-A

| | | | | | |
|--|--|------------------|-------------|---|----------|
| <small>THIS DRAWING IS A CONTROLLED DOCUMENT FOR AMP INCORPORATED. IT IS SUBJECT TO CHANGE AND THE CONTROLLING ENGINEERING ORGANIZATION SHOULD BE CONTACTED FOR THE LATEST REVISION.</small> | | DWN | 01/05/96 | BLACK | 184230-1 |
| <small>DIMENSIONS:</small> mm | | CHK | 01/11/96 | PLUG COLOR | PART NO |
| <small>TOLERANCES UNLESS OTHERWISE SPECIFIED:</small> 0 PLC ±- 1 PLC ±0.30 2 PLC ±0.15 3 PLC ±- 4 PLC ±- ANGLES ±1° FINISH - | | APVD | 01/11/96 | AMP Incorporated Harrisburg, PA 17105-3608 | |
| <small>MATERIAL</small> - | | NAME | EJ OSWANDEL | 2 POSITION PLUG ASSY. KEYING TYPE L | |
| <small>PRODUCT SPEC</small> - | | APPLICATION SPEC | - | SIZE | A2 |
| <small>WEIGHT</small> - | | SCALE | 4:1 | CAGE CODE | 00779 |
| <small>CUSTOMER DRAWING</small> | | DRAWING NO | C=184230 | SHEET | 1 OF 1 |
| | | REV | A | | |

184230

B

A