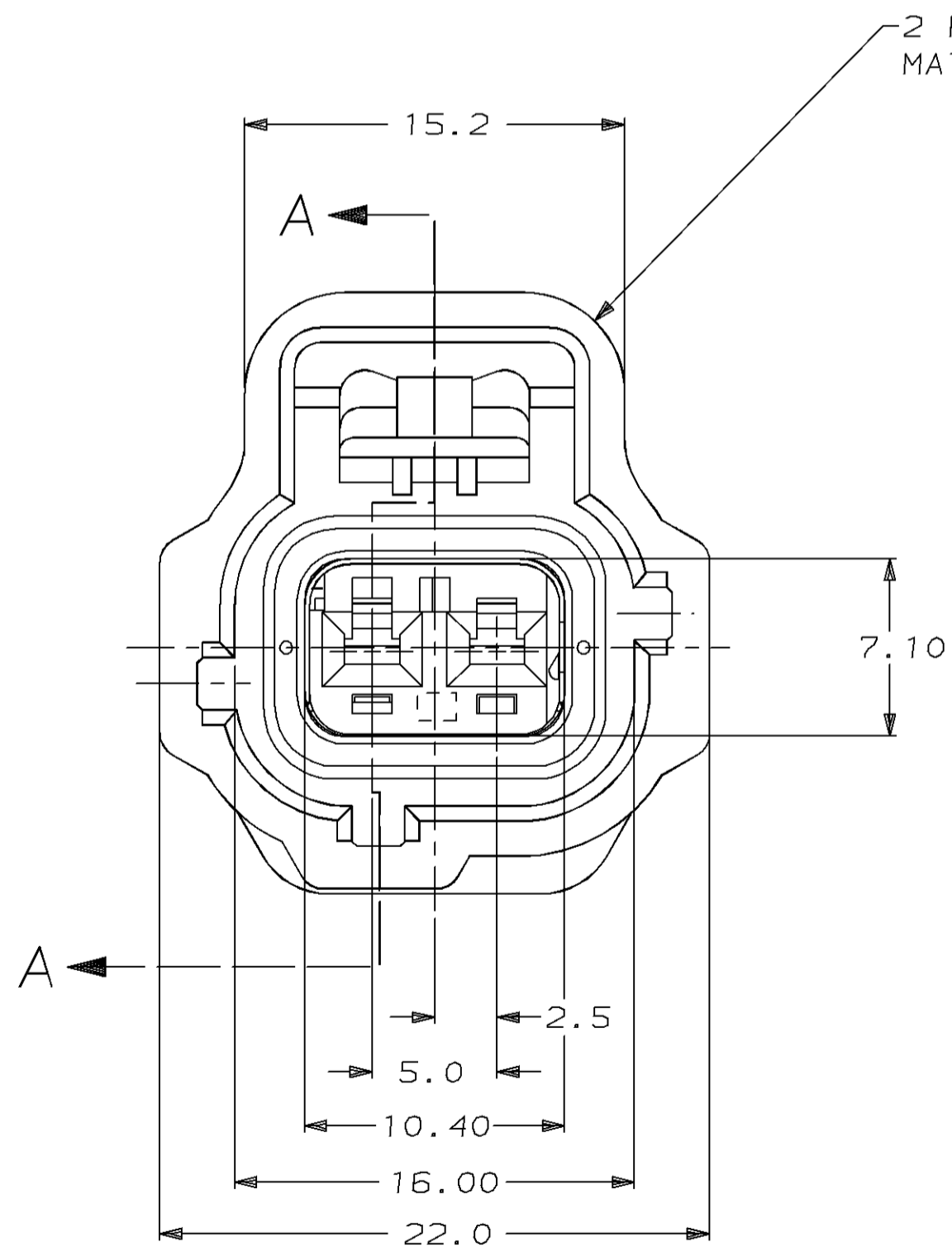
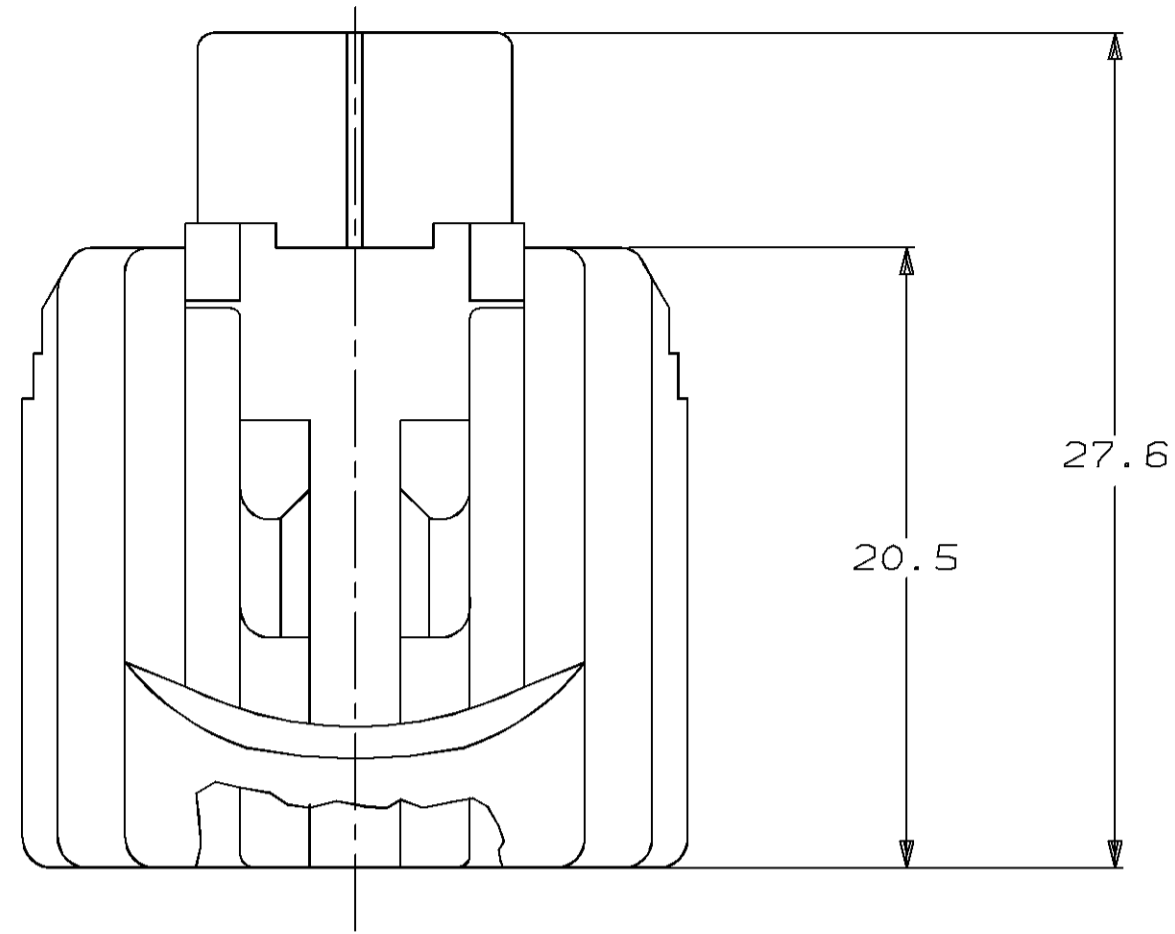


THIS DRAWING IS UNPUBLISHED. RELEASED FOR PUBLICATION
 © COPYRIGHT 19 BY AMP INCORPORATED. ALL RIGHTS RESERVED.

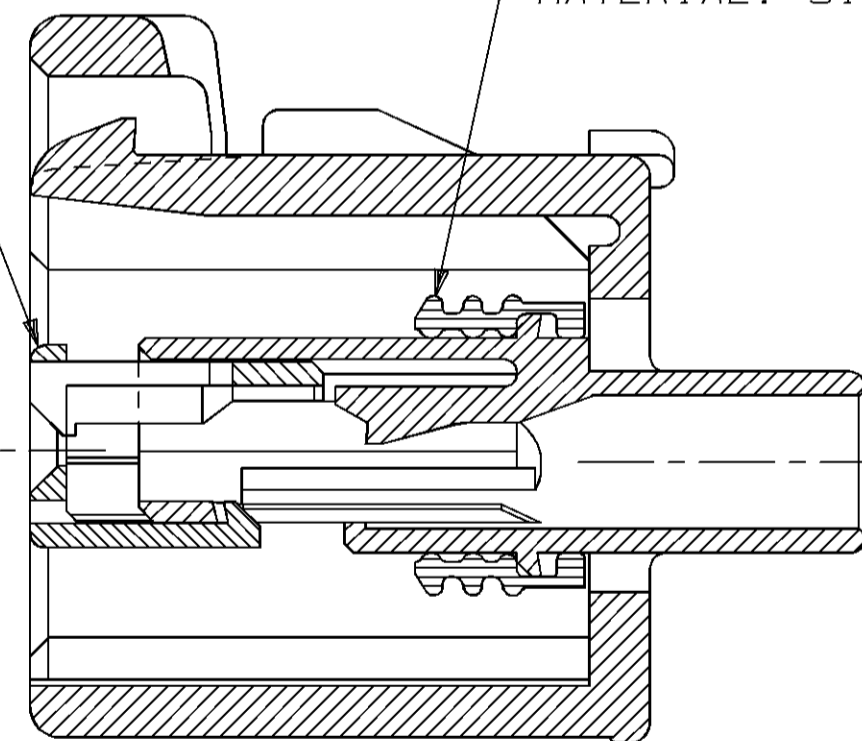
LOC		DIST		REVISIONS			
P	LTR	DESCRIPTION	DATE	DWN	APVD		
G	16	0	RELEASED, WAS 95-4072-99-9	-	-		
		A	REV PER ECN 0K50-0003-96	08/14/96	KW JK		



2 POSN PLUG
 MATERIAL: 4/6 NYLON, 30% GLASS FILLED

2 POSN. DOUBLE LOCK PLATE
 MATERIAL: PBT, UNFILLED

SEAL RING
 MATERIAL: SILICONE RUBBER



SECTION A-A

KEYING TYPE K

<small>THIS DRAWING IS A CONTROLLED DOCUMENT FOR AMP INCORPORATED. IT IS SUBJECT TO CHANGE AND THE CONTROLLING ENGINEERING ORGANIZATION SHOULD BE CONTACTED FOR THE LATEST REVISION.</small>		DWN	KD LYTLE	01/05/96
DIMENSIONS:		CHK	EJ OSWANDEL	01/11/96
mm	TOLERANCES UNLESS OTHERWISE SPECIFIED:	APVD	EJ OSWANDEL	01/11/96
	0 PLC ±-	PRODUCT SPEC	-	
	1 PLC ±0.30	APPLICATION SPEC	-	
	2 PLC ±0.15	WEIGHT	-	
	3 PLC ±-	CUSTOMER DRAWING	-	
	4 PLC ±-	SCALE	4:1	
MATERIAL	FINISH	SHEET	OF 1	
-	-	REV	A	

BLACK	184228-1
PLUG COLOR	PART NO
AMP AMP Incorporated Harrisburg, PA 17105-3608	
2 POSITION PLUG ASSY. KEYING TYPE K	
SIZE	DRAWING NO
A2	©=184228
CAGE CODE	00779