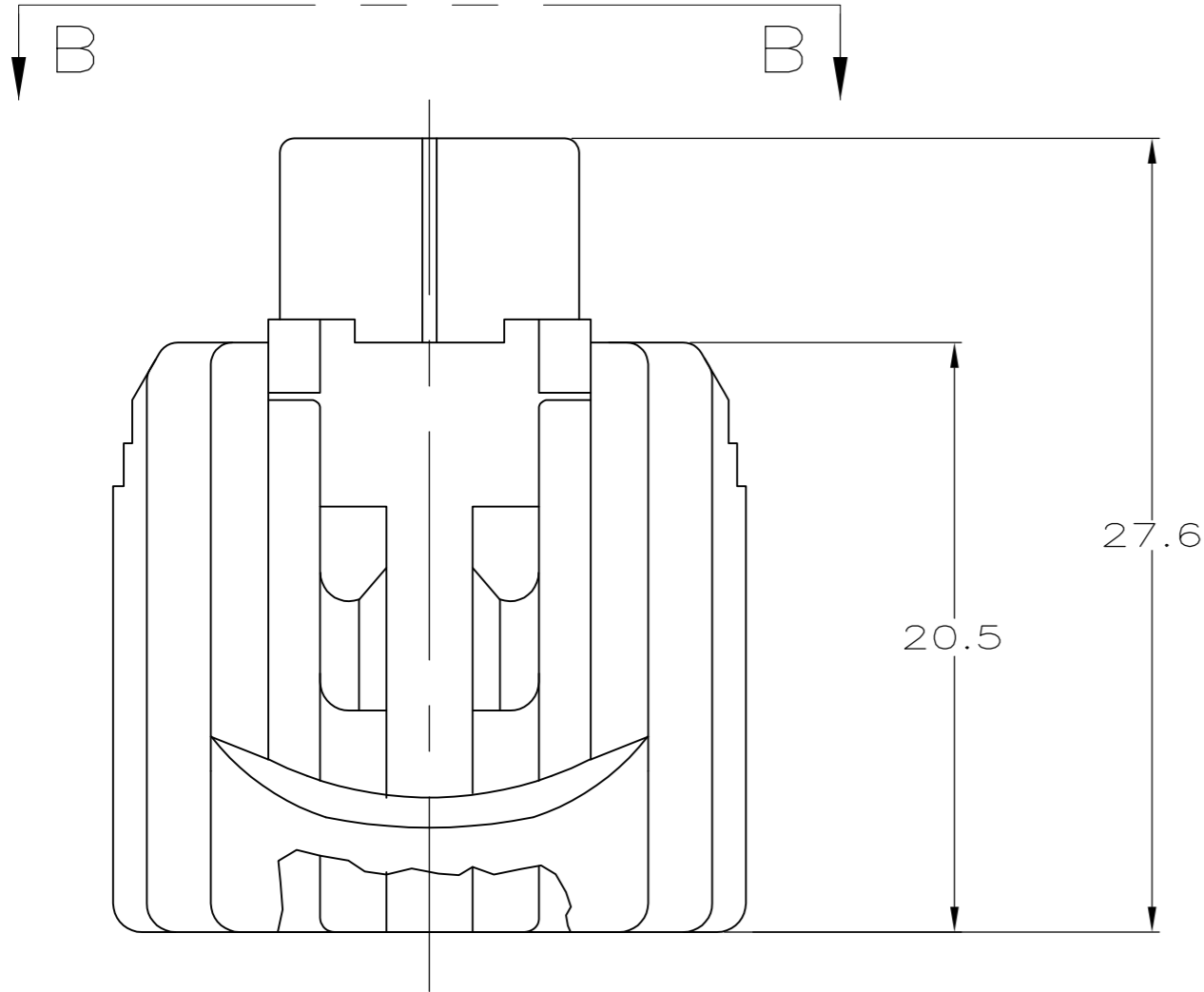


THIS DRAWING IS UNPUBLISHED. RELEASED FOR PUBLICATION
 © COPYRIGHT - By - ALL RIGHTS RESERVED.

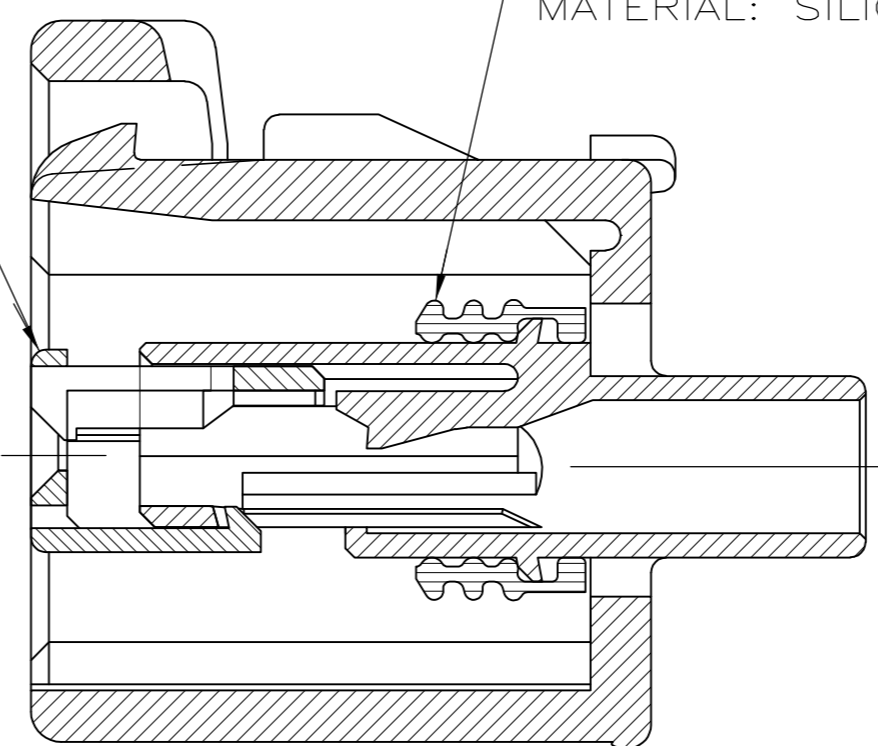
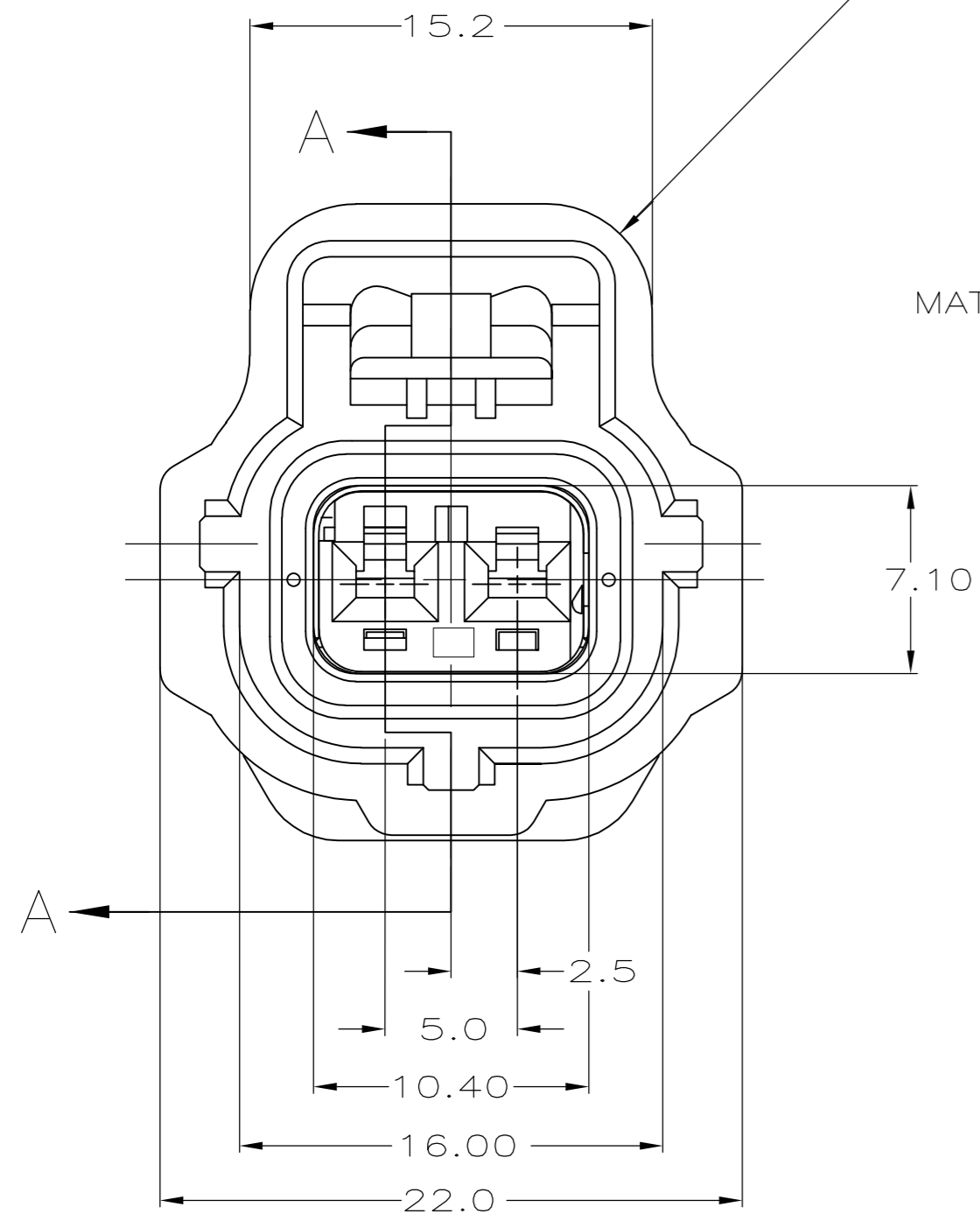
LOC		DIST		REVISIONS			
P	LTR	DESCRIPTION		DATE	DWN	APVD	
G	16	B1	REVISED PER ECO-14-015182		08OCT2014	DD	MB



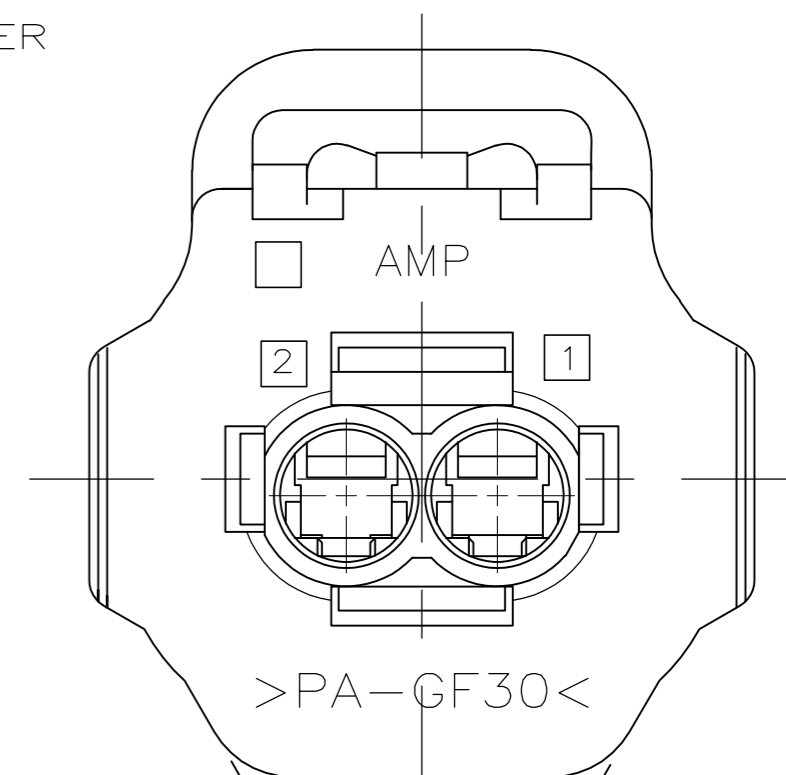
2 POSN PLUG
 MATERIAL: 4/6 NYLON, 30% GLASS FILLED

2 POSN. DOUBLE LOCK PLATE
 MATERIAL: PBT, 15% GLASS FILLED

SEAL RING
 MATERIAL: SILICONE RUBBER



SECTION A-A



VIEW B-B

KEYING TYPE A

THIS DRAWING IS A CONTROLLED DOCUMENT.		DWN	KD LYTLE	01/05/96
DIMENSIONS:		CHK	EJ OSWANDEL	01/11/96
mm	TOLERANCES UNLESS OTHERWISE SPECIFIED:	APVD	EJ OSWANDEL	01/11/96
	0 PLC ± -	PRODUCT SPEC		
	1 PLC ± 0.30	APPLICATION SPEC		
	2 PLC ± 0.15			
	3 PLC ± -	WEIGHT	-	
	4 PLC ± -	CUSTOMER DRAWING		
	ANGLES ± 1°	SCALE	4:1	SHEET 1 of 1
MATERIAL	FINISH			REV B1

NATURAL	184212-2
BLACK	184212-1
PLUG COLOR	PART NO
TE TE Connectivity	
NAME 1 X 2 PLUG ASSEMBLY KEY A-C4	
SIZE A2	CAGE CODE 00779
DRAWING NO C=184212	RESTRICTED TO -