

4

3

2

1

THIS DRAWING IS UNPUBLISHED.

RELEASED FOR PUBLICATION

,19

© COPYRIGHT 19

BY AMP INCORPORATED. ALL RIGHTS RESERVED.

LOC

DIST

REVISIONS

G

16

P

LTR

DESCRIPTION

DATE

DWN

APVD

O

INITIAL RELEASE

02/14/96

KW

JK

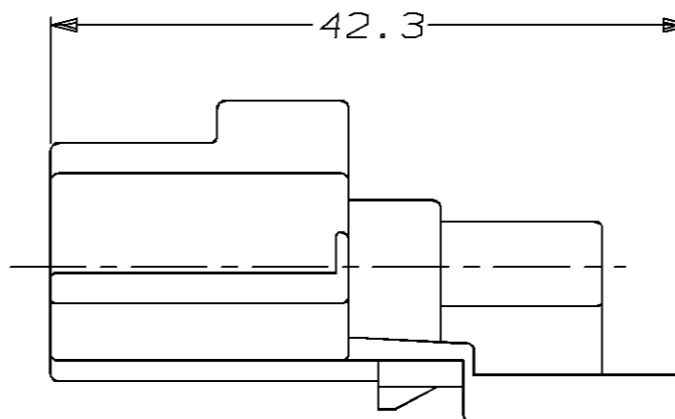
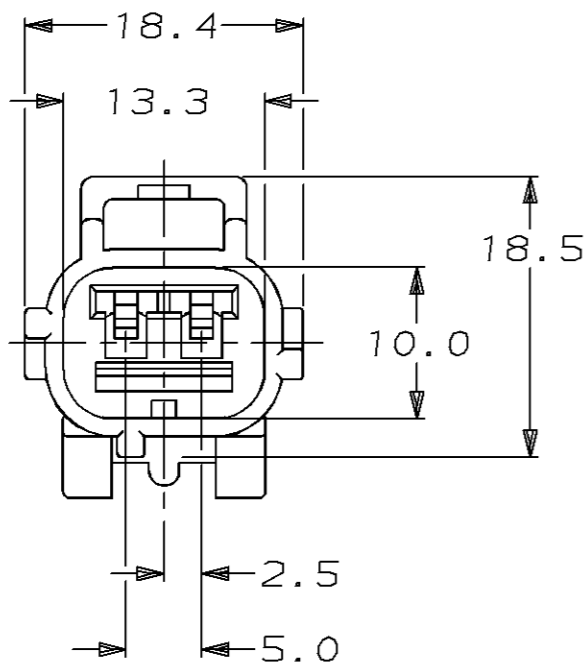
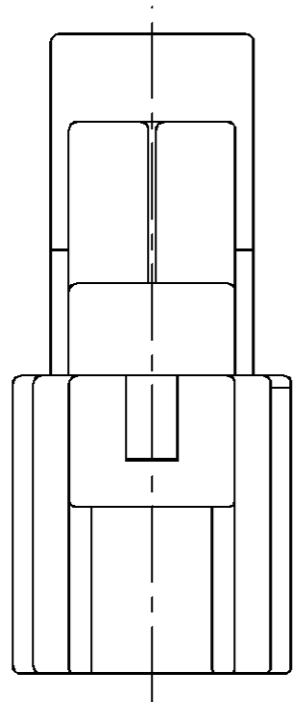
A

REV PER ECN #OKSO-0014-96

09/20/96

KW

JK



184168-1
PART NUMBER

<small>THIS DRAWING IS A CONTROLLED DOCUMENT FOR AMP INCORPORATED. IT IS SUBJECT TO CHANGE AND THE CONTROLLING ENGINEERING ORGANIZATION SHOULD BE CONTACTED FOR THE LATEST REVISION.</small>		DWN	K. WISE	02/14/96	AMP Incorporated Harrisburg, PA 17105-3608
DIMENSIONS:		CHK	J. KUNKLE	03/08/96	
mm		APVD	J. KUNKLE	03/08/96	
		PRODUCT SPEC	NAME		
TOLERANCES UNLESS OTHERWISE SPECIFIED: 0 PLC ±- 1 PLC ±0.3 2 PLC ±- 3 PLC ±- 4 PLC ±- ANGLES ±- FINISH BLACK		APPLICATION SPEC	CAP HSG, SSC, 2 POSN F KEY		
MATERIAL		WEIGHT	SIZE		CAGE CODE
PBT, 15% GLASS FILLED		-	A3		00779
		CUSTOMER DRAWING	DRAWING NO		©-184168
			SCALE	SHEET	REV
			2:1	1 OF 1	A