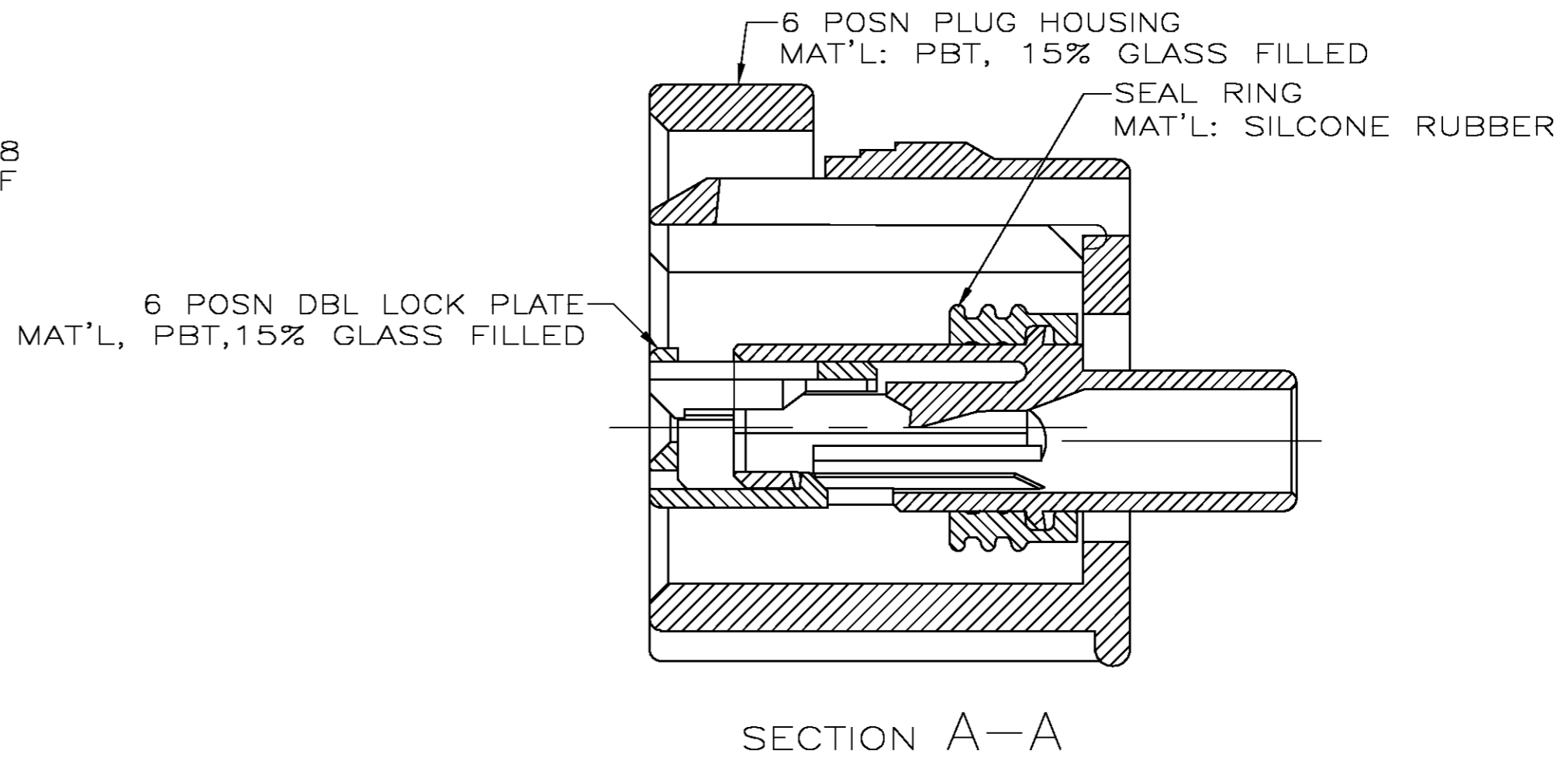
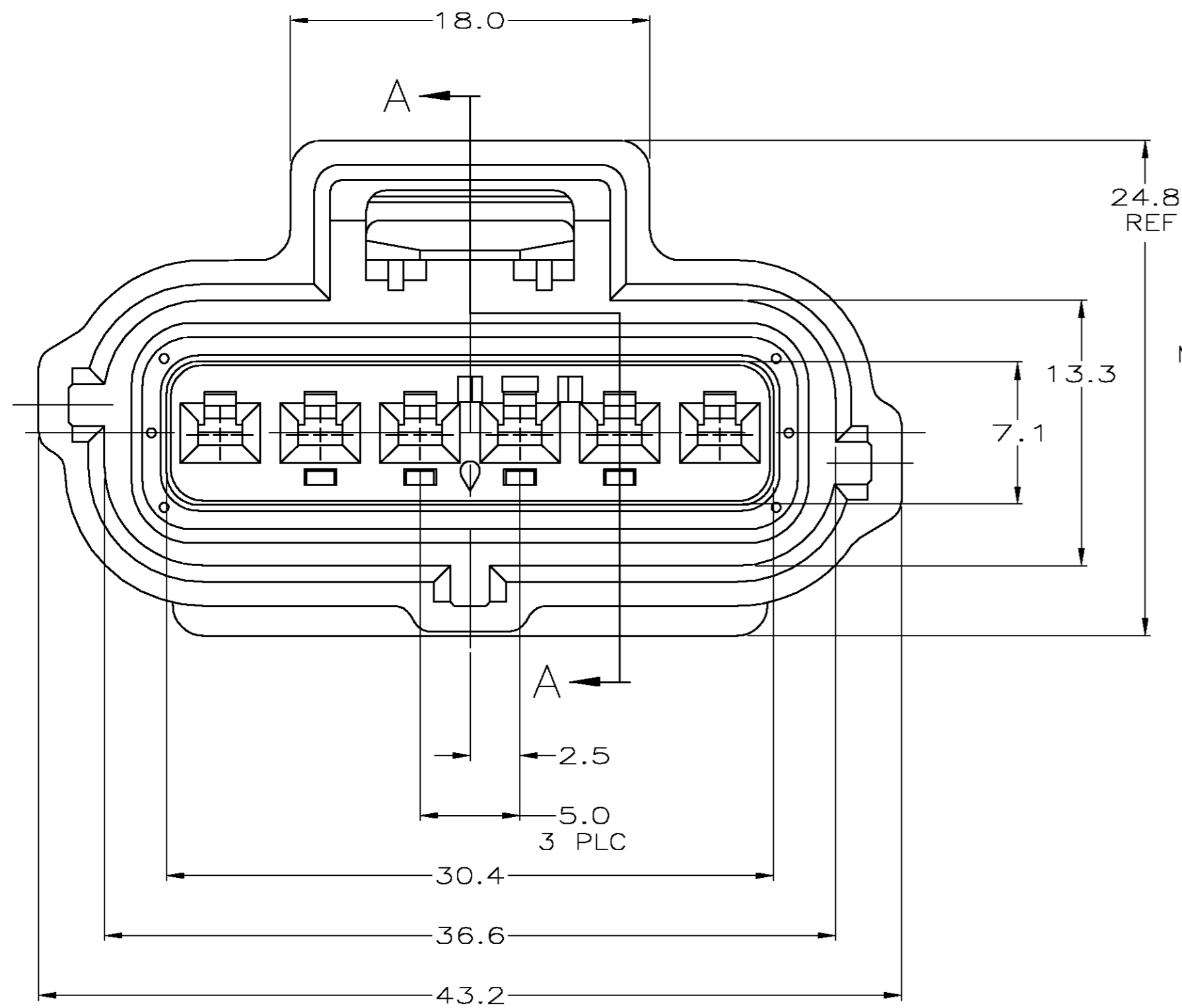
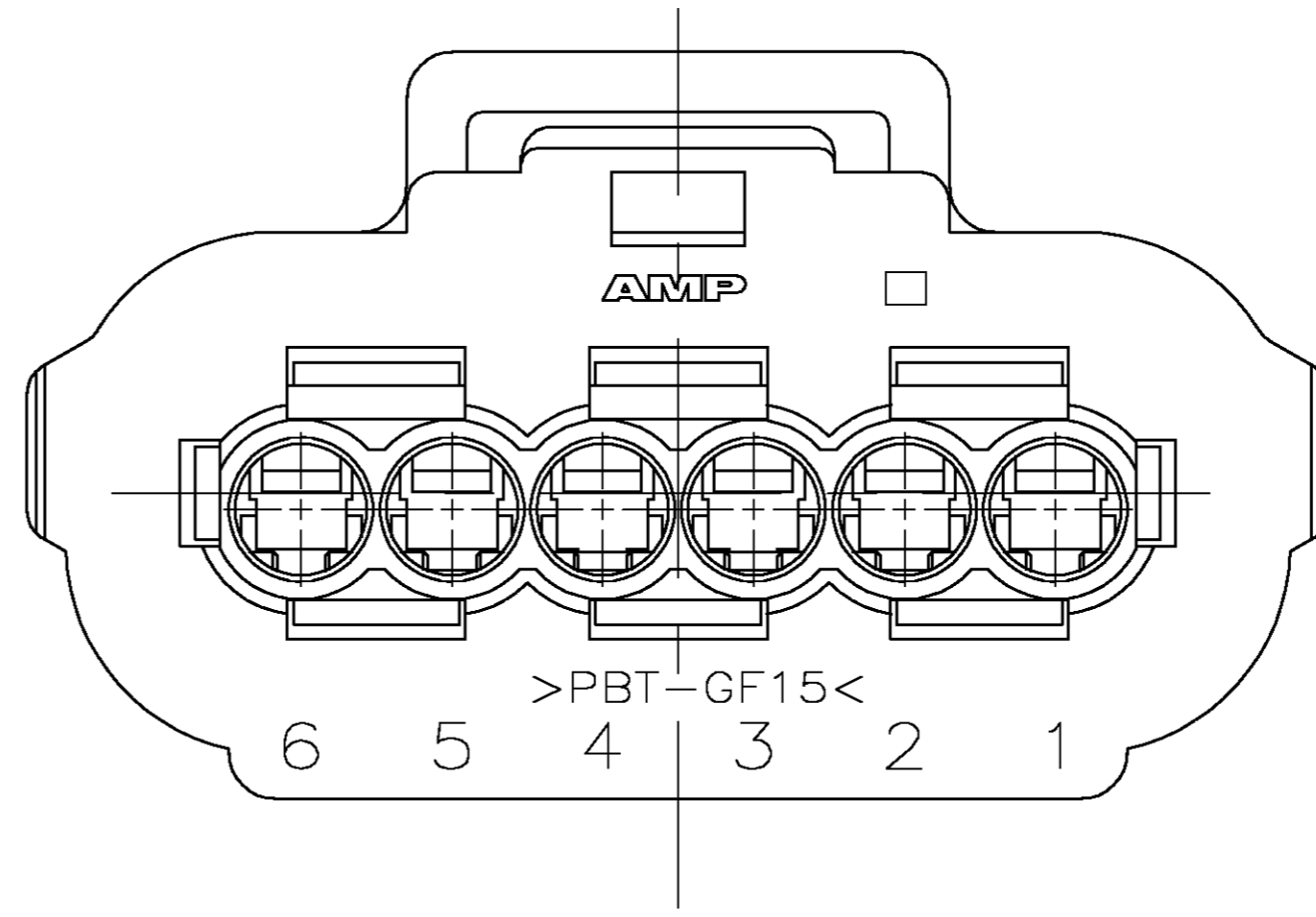
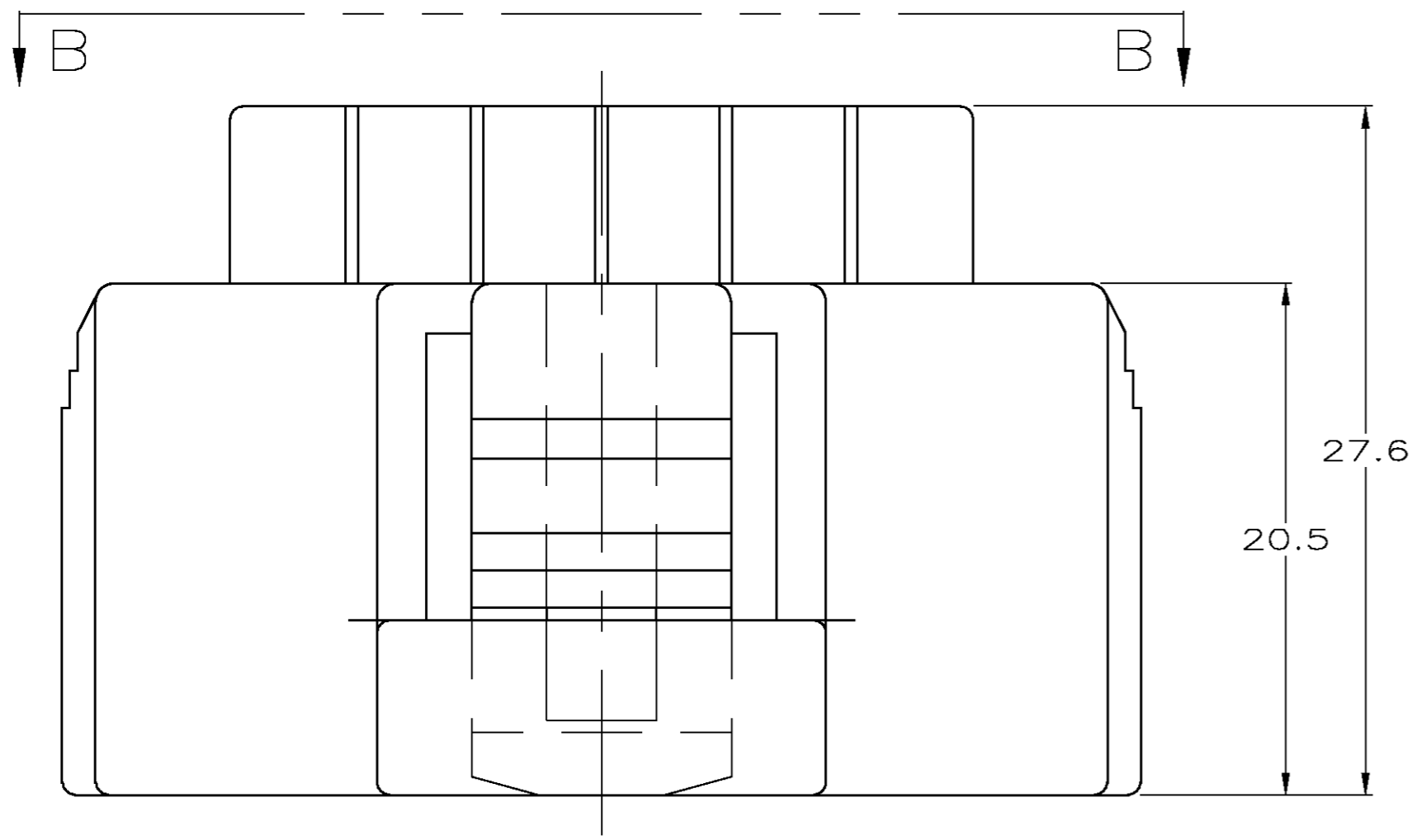


THIS DRAWING IS UNPUBLISHED. RELEASED FOR PUBLICATION
 © COPYRIGHT BY TYCO ELECTRONICS CORPORATION. ALL RIGHTS RESERVED.

LOC		DIST		REVISIONS			
P	LTR	DESCRIPTION	DATE	DWN	APVD		
G	16	B	EC 0K40-0177-04	12AUG04	JRB	KLC	



184126-1
PART NUMBER

THIS DRAWING IS A CONTROLLED DOCUMENT.		DWN	KD LYTLE	3/29/96	 Tyco Electronics Corporation Harrisburg, Pa 17105-3608
DIMENSIONS: mm		CHK	CT HYRB	4/4/96	
TOLERANCES UNLESS OTHERWISE SPECIFIED:		APVD	CT HYRB	4/4/96	
0 PLC ± - 1 PLC ± - 2 PLC ± 0.3 3 PLC ± - 4 PLC ± - ANGLES ±' - FINISH -		PRODUCT SPEC	NAME		
MATERIAL		APPLICATION SPEC		1 X 6 PLG ASY KEY C-C3	
		WEIGHT	A2 00779 C=184126		RESTRICTED TO
		CUSTOMER DRAWING		SCALE	4:1
				SHEET	1 OF 1
				REV	B