

4

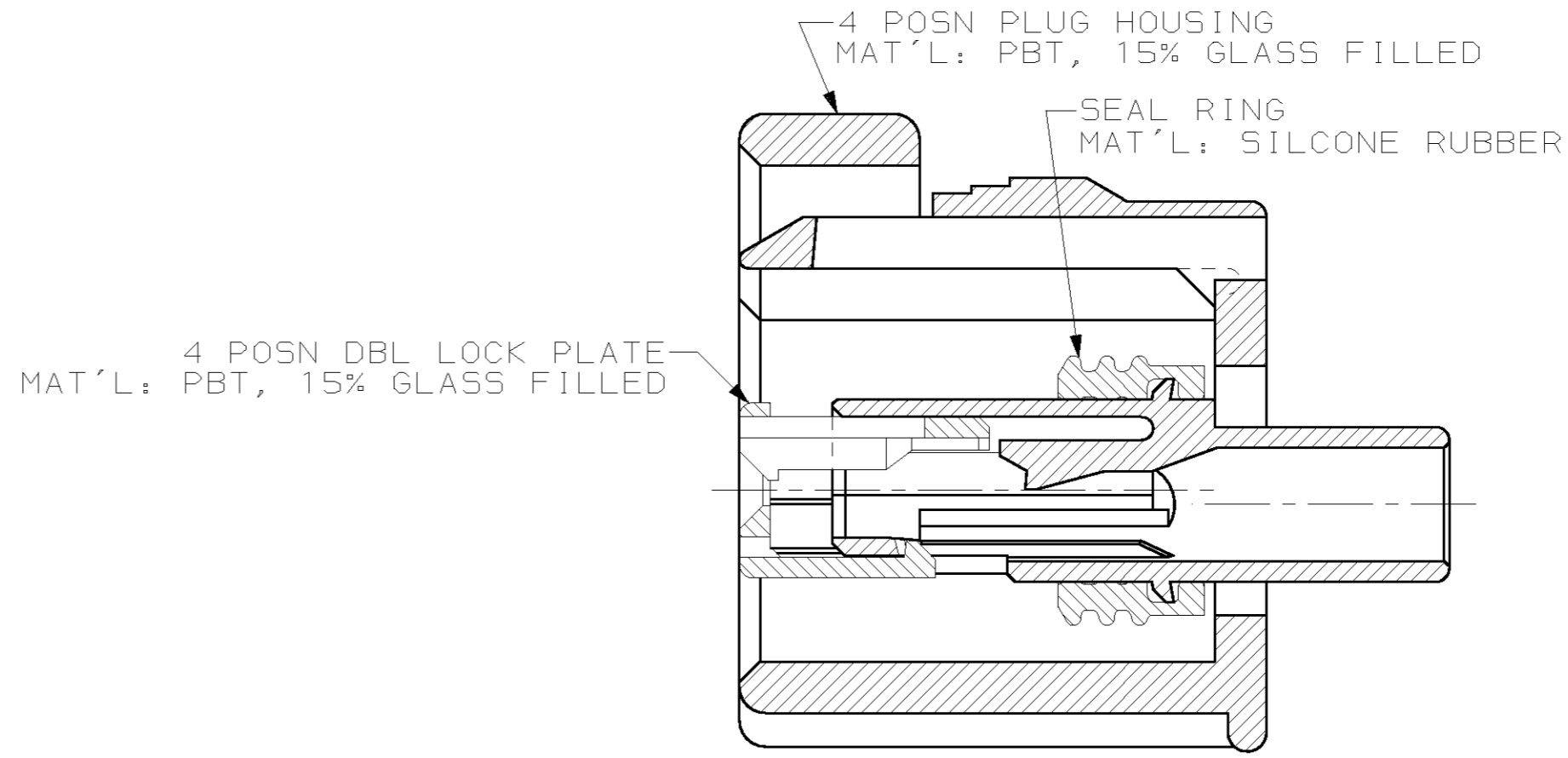
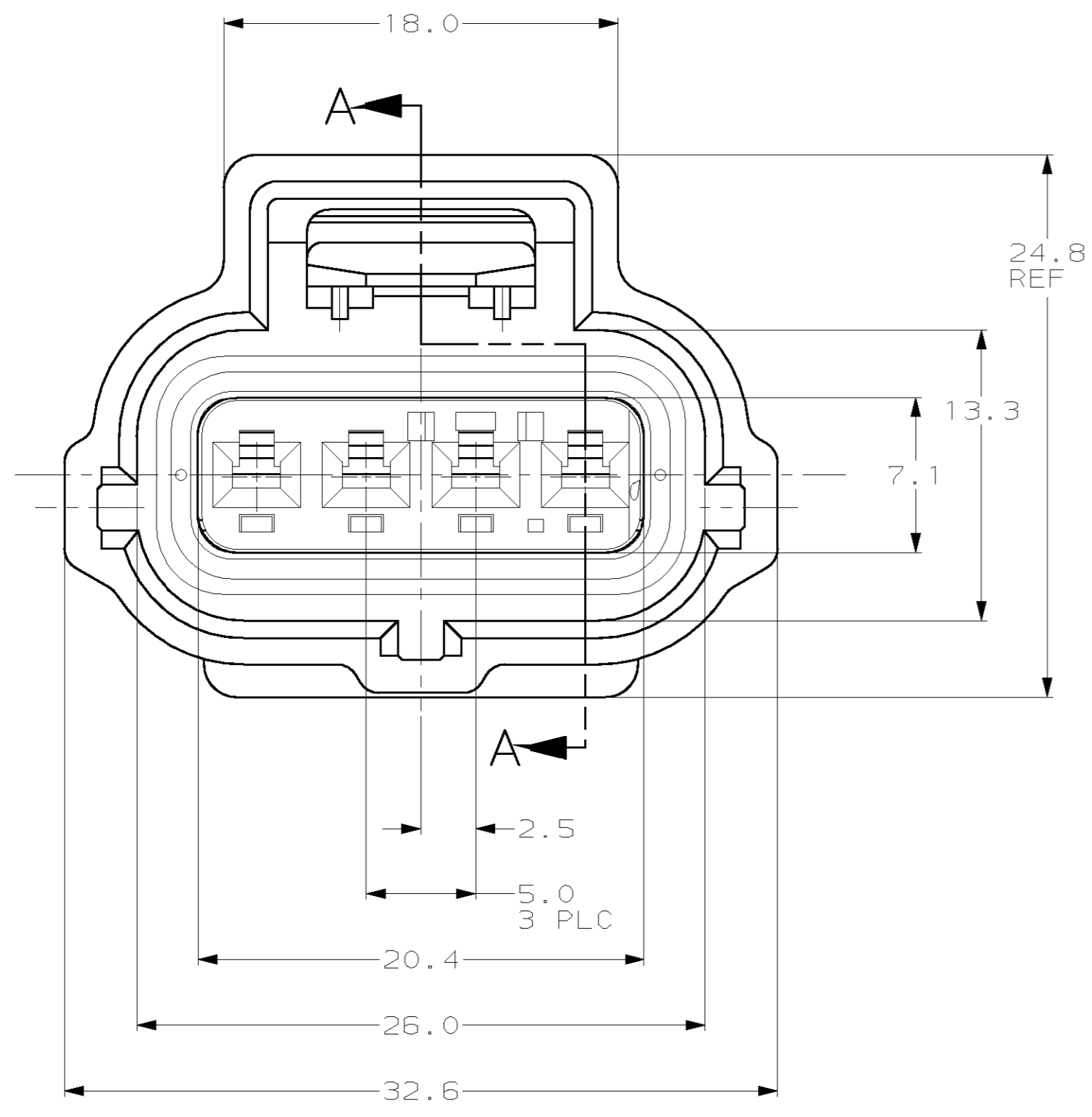
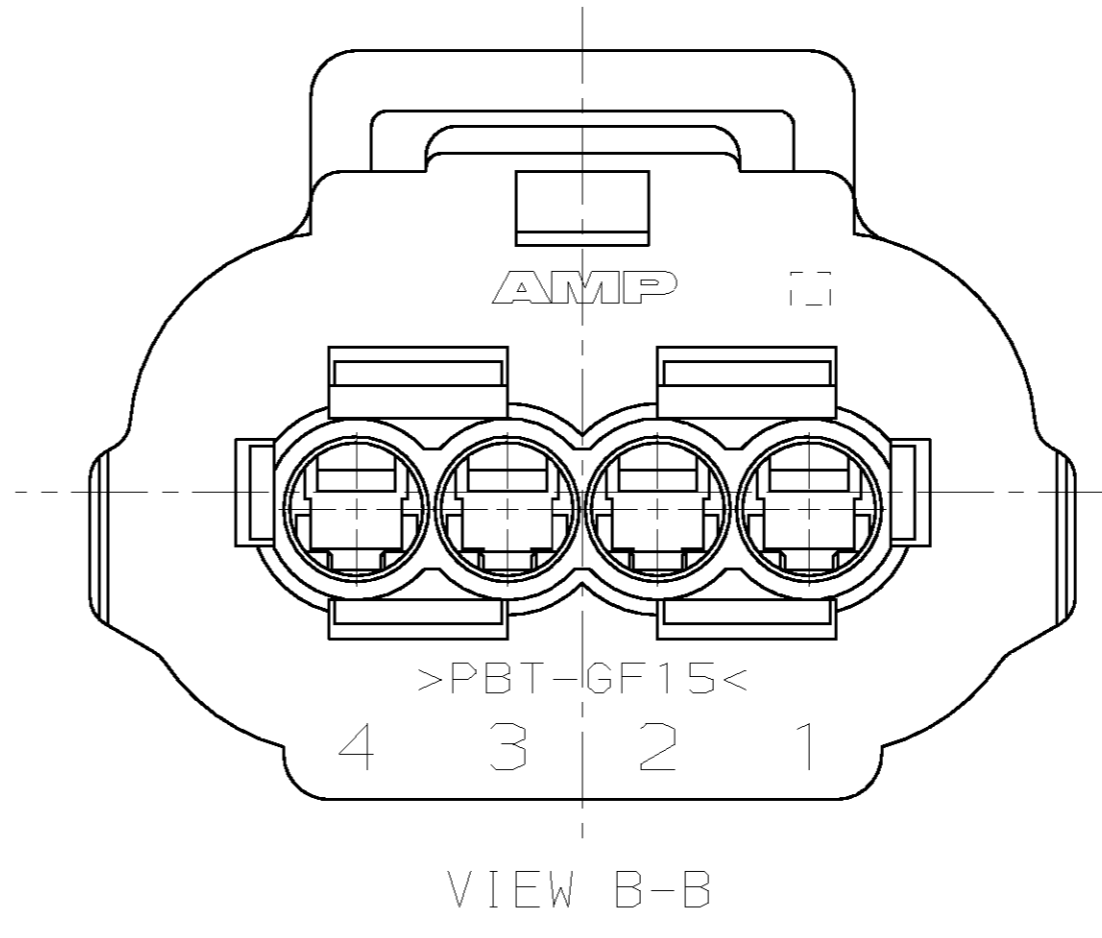
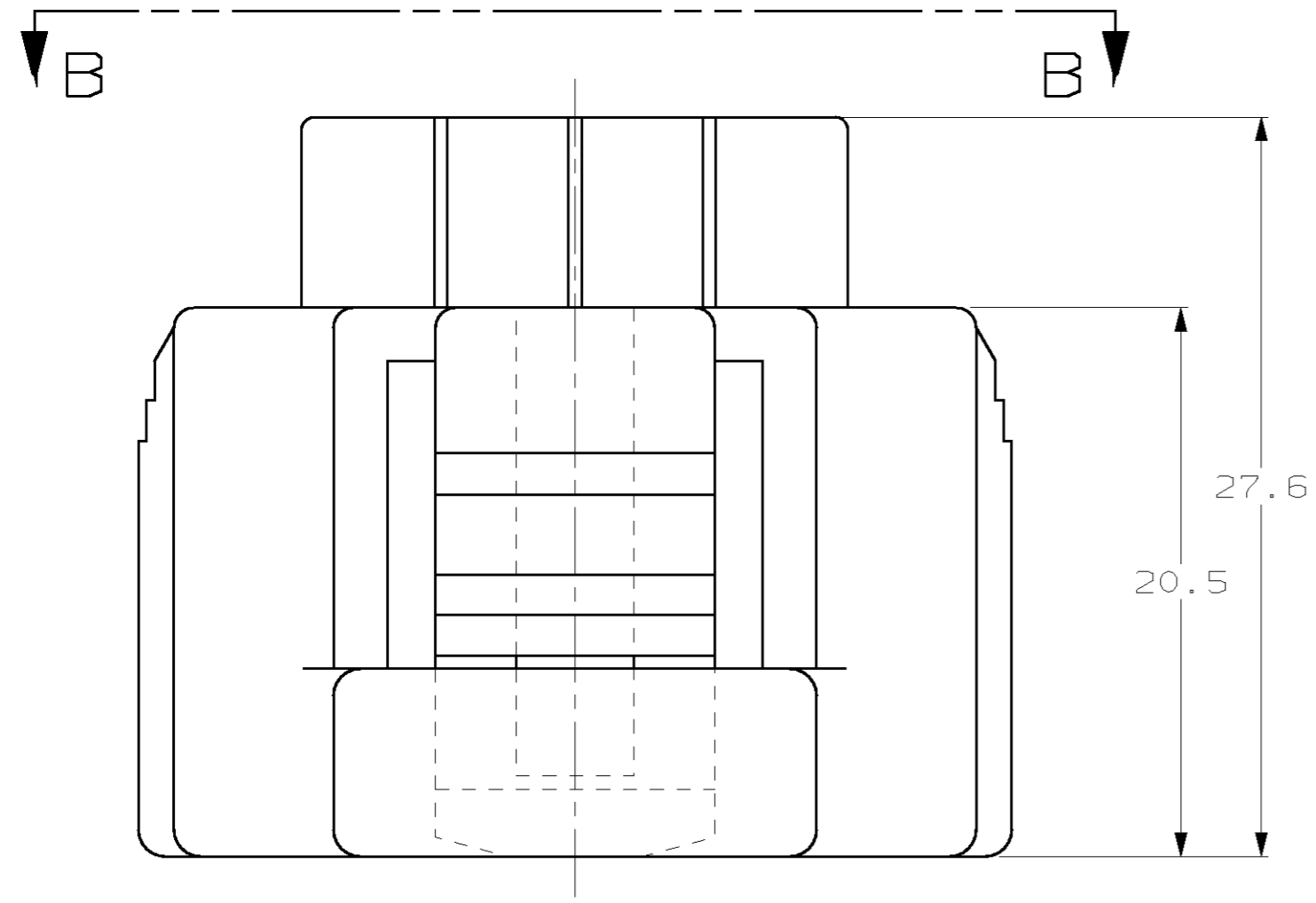
3

2

1

THIS DRAWING IS UNPUBLISHED. RELEASED FOR PUBLICATION .19  
 (C) COPYRIGHT 19 BY AMP INCORPORATED. ALL RIGHTS RESERVED.

LOC		DIST		REVISIONS			
P	LTR	DESCRIPTION	DATE	DWN	APVD		
G	16	0	RELEASED, WAS 92-4072-2329-1	10/31/94	KW	-	
		A	REV/ECN 0720-0543-95	3/21/95	KL	-	
		B	REV ECN 0720-0768-95	10/09/95	KL	JK	
		C	REV PER EC# 0K40-0138-00	6-28-00	PC	GI	



SECTION A-A

184046-1  
 PART NUMBER

<small>THIS DRAWING IS A CONTROLLED DOCUMENT FOR AMP INCORPORATED. IT IS SUBJECT TO CHANGE AND THE CONTROLLING ENGINEERING ORGANIZATION SHOULD BE CONTACTED FOR THE LATEST REVISION.</small>		DWN K. WISE 10/31/94	AMP Incorporated Harrisburg, PA 17105-3608
DIMENSIONS: mm		CHK C. HYRB 11/07/94	
TOLERANCES UNLESS OTHERWISE SPECIFIED: 0 PLC ±- 1 PLC ±- 2 PLC ±0.3 3 PLC ±- 4 PLC ±- ANGLES ±1° FINISH -		APVD -	NAME -
MATERIAL -		PRODUCT SPEC -	1 X 4 PLG ASY KEY A-C3
		APPLICATION SPEC -	SIZE A2
		WEIGHT -	CAGE CODE 00779
		CUSTOMER DRAWING	DRAWING NO. C-184046
		SCALE 4:1	SHEET 1 OF 1
			REV C

184046

B

A