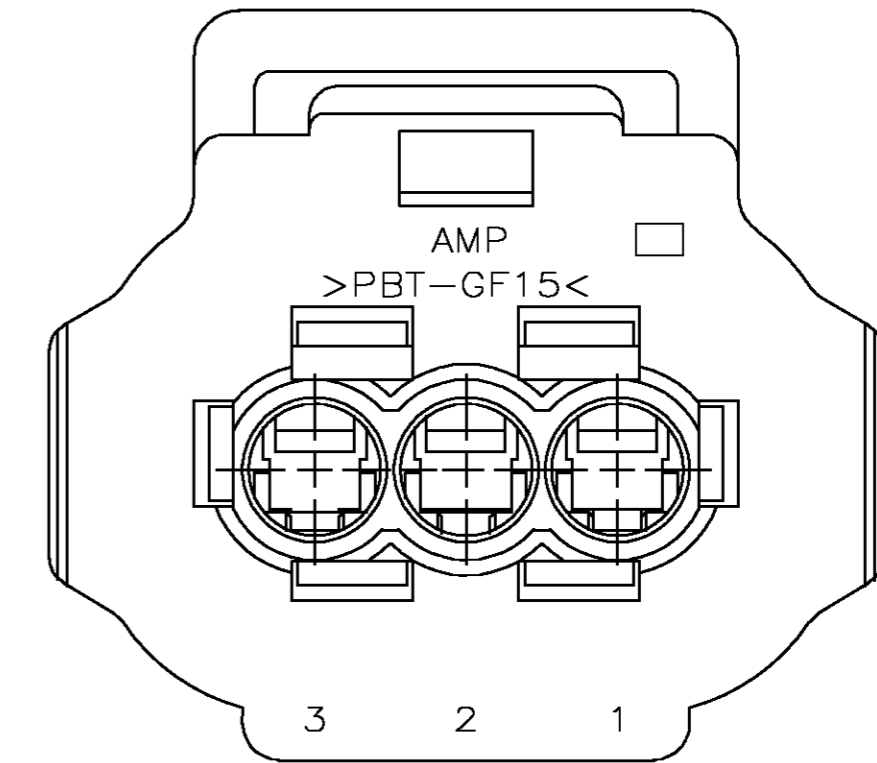
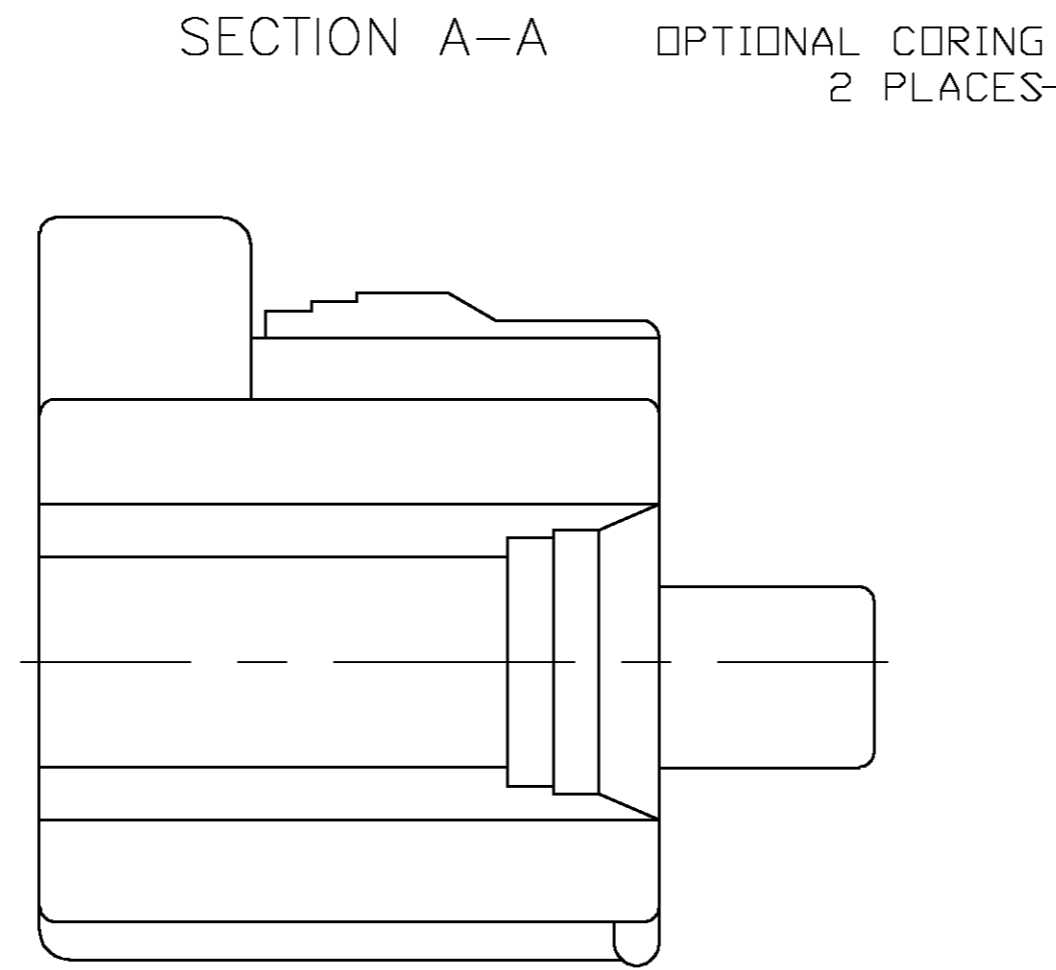
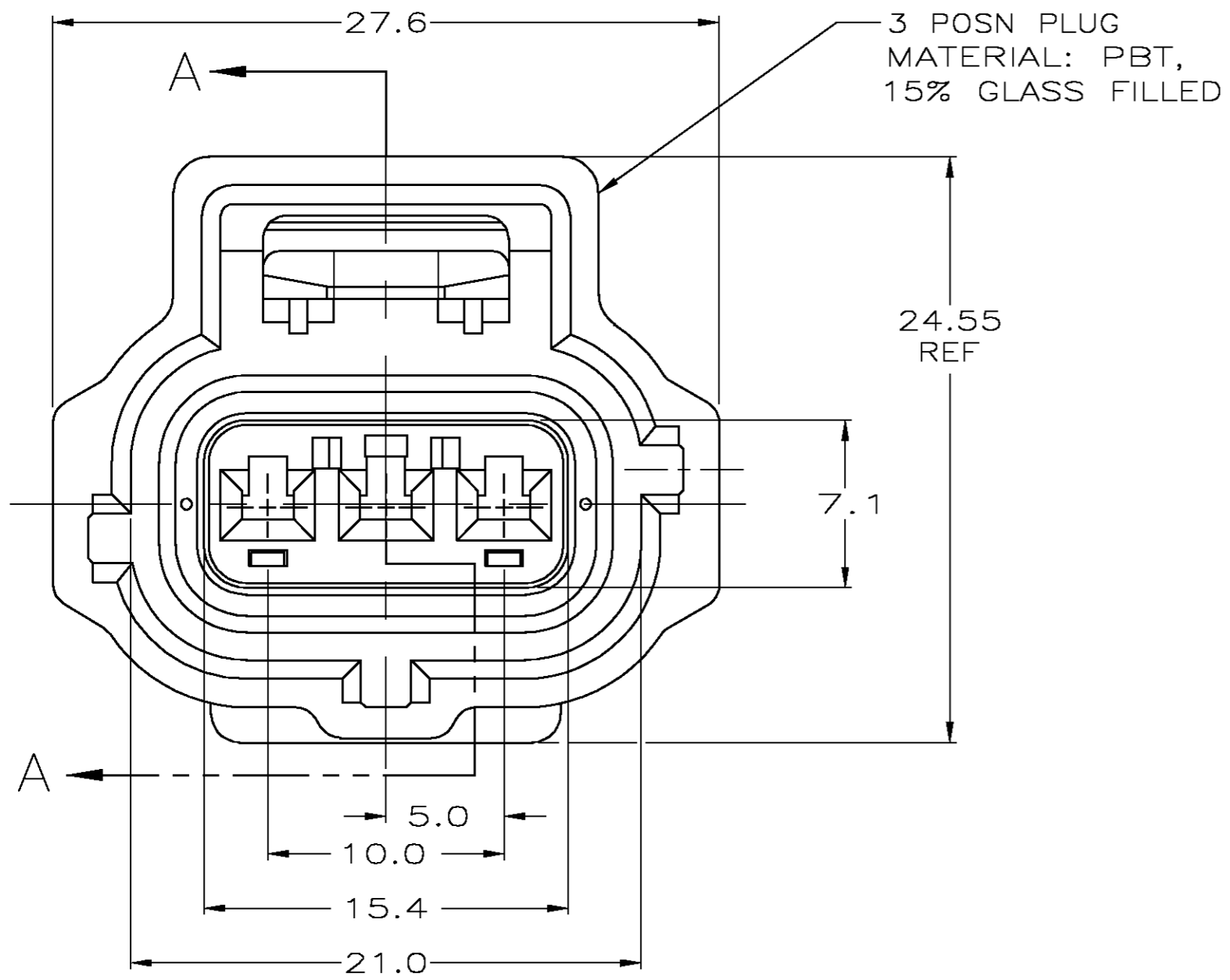
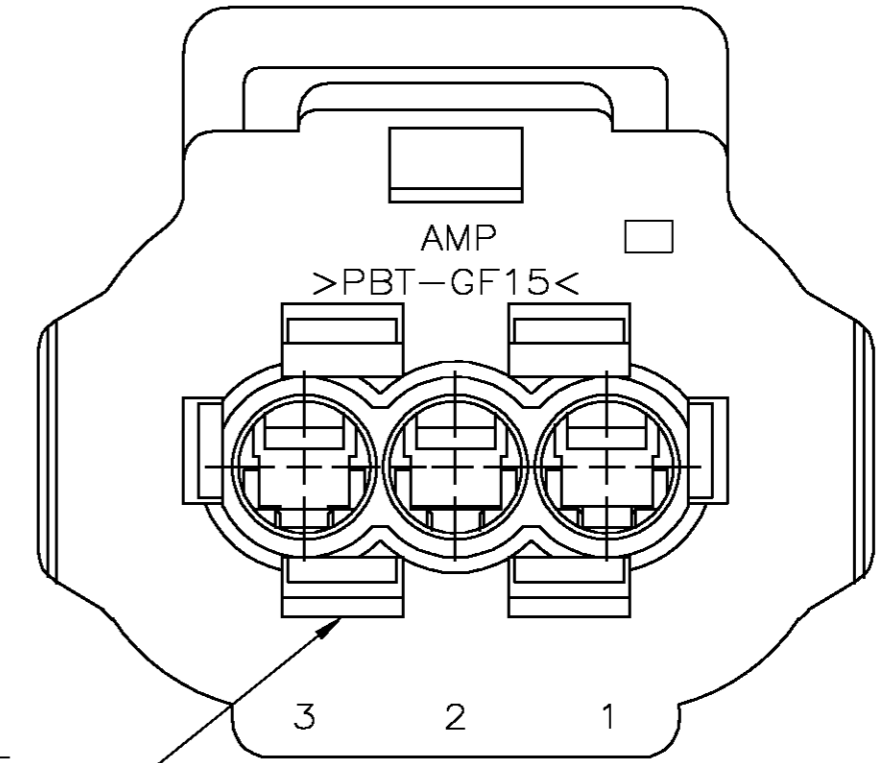
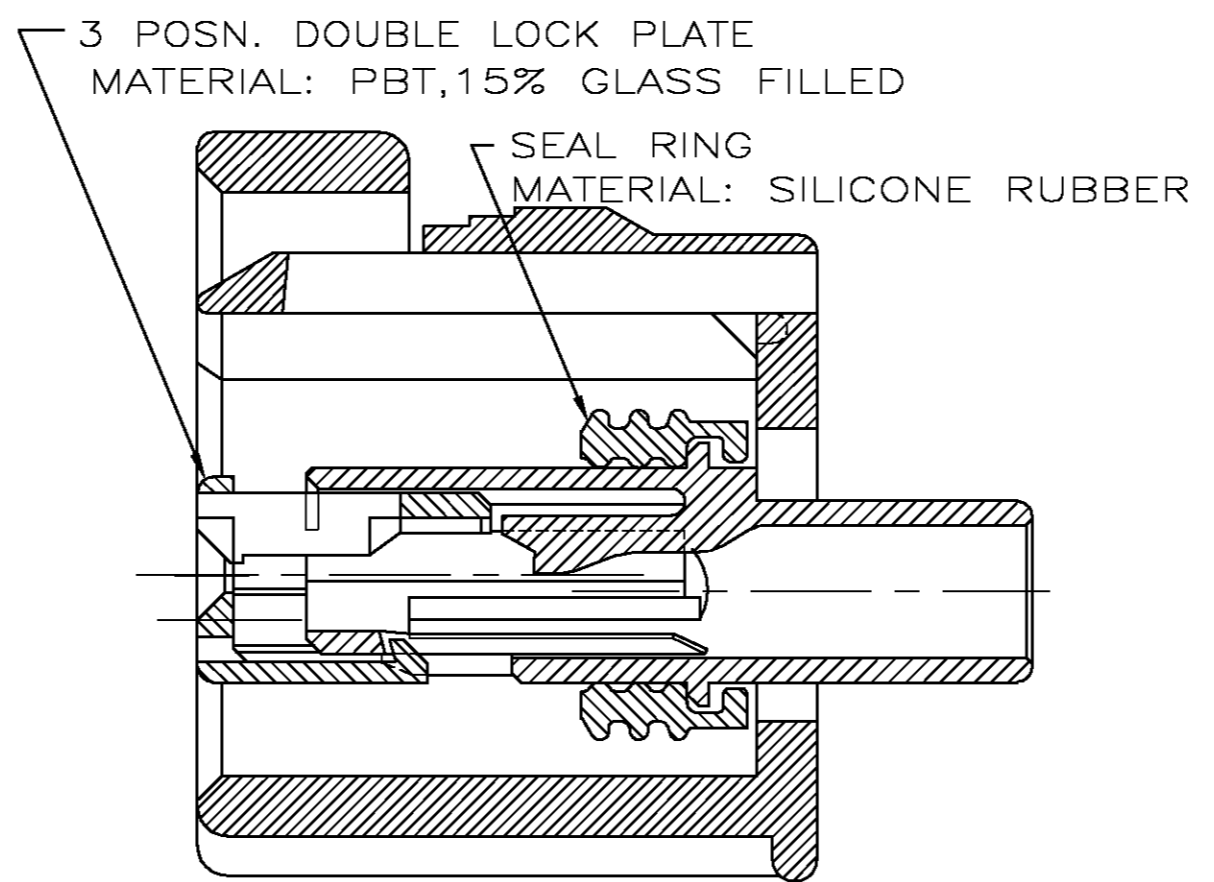
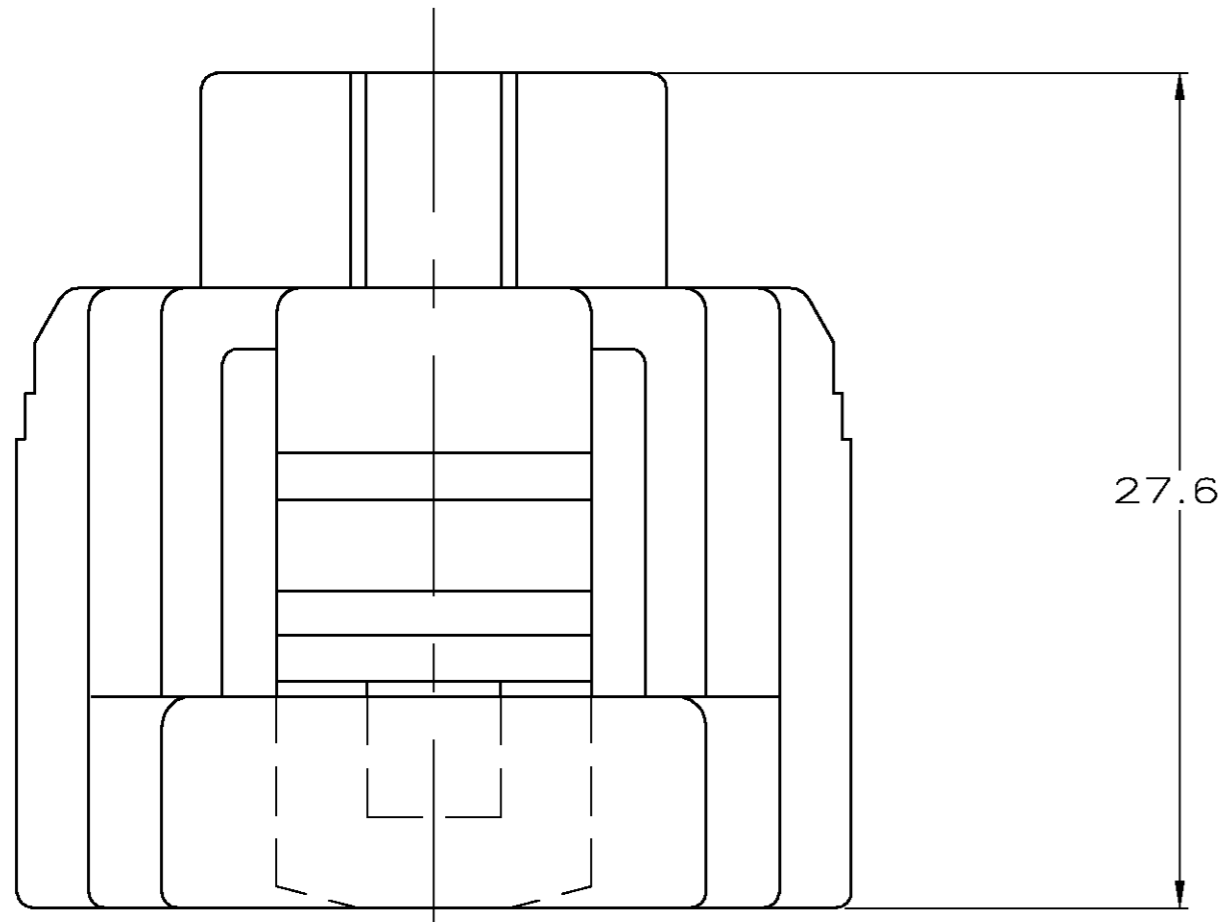


THIS DRAWING IS UNPUBLISHED. RELEASED FOR PUBLICATION
 © COPYRIGHT BY TYCO ELECTRONICS CORPORATION. ALL RIGHTS RESERVED.

LOC		DIST		REVISIONS			
P	LTR	DESCRIPTION	DATE	DWN	APVD		
GE	00	E	REVISED PER EC OK40-0387-04	19NOV2004	DLD	KLK	



184038-1
PART NO

THIS DRAWING IS A CONTROLLED DOCUMENT.		DWN	KD LYTLE	12/8/94	 Tyco Electronics Corporation Harrisburg, PA 17105-3608						
DIMENSIONS: MM		CHK	JP KUNKLE	12/9/94							
TOLERANCES UNLESS OTHERWISE SPECIFIED:		APVD	JP KUNKLE	12/9/94							
0 PLC ± - 1 PLC ± 0.3 2 PLC ± 0.3 3 PLC ± - 4 PLC ± - ANGLES ± 1° FINISH -		NAME		PRODUCT SPEC							
MATERIAL AS NOTED		WEIGHT		-	APPLICATION SPEC						
		SIZE		A2	CAGE CODE	00779	DRAWING NO	C=184038	RESTRICTED TO	-	
		CUSTOMER DRAWING		SCALE	4:1	SHEET	1	OF	1	REV	E

184038

A