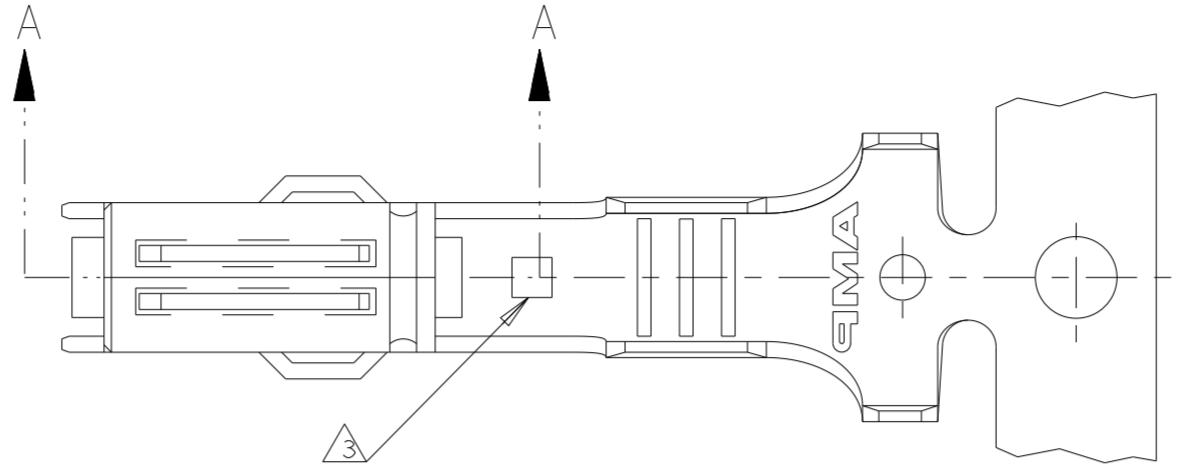
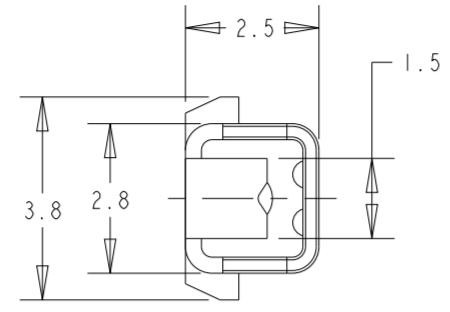


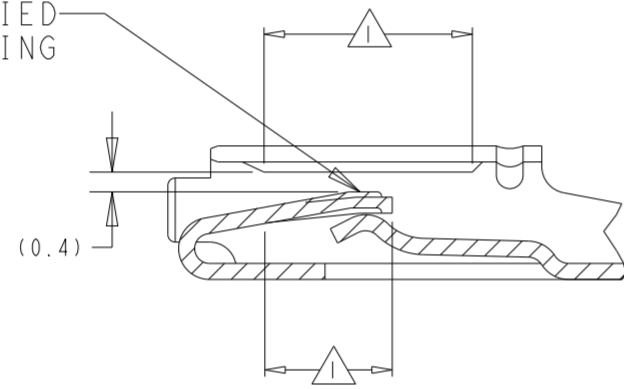
THIS DRAWING IS UNPUBLISHED. RELEASED FOR PUBLICATION
 © COPYRIGHT - BY - ALL RIGHTS RESERVED.

REVISIONS				
P	LTR	DESCRIPTION	DATE	APVD
H5		REVISED PER ECO-16-011163	08SEP2016	DD AH
H6		REVISED PER ECO-17-014752	11OCT2017	JMS AH
W		REVISED PER ECO-21-002133	15APR2021	SM AH
W1		REV PER ECN-24-271487	20JUN2024	SMR CL

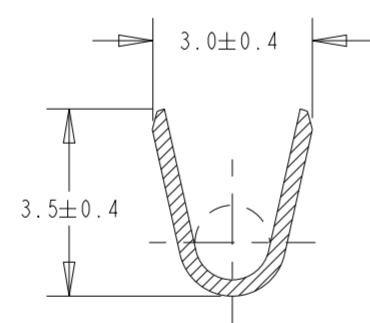
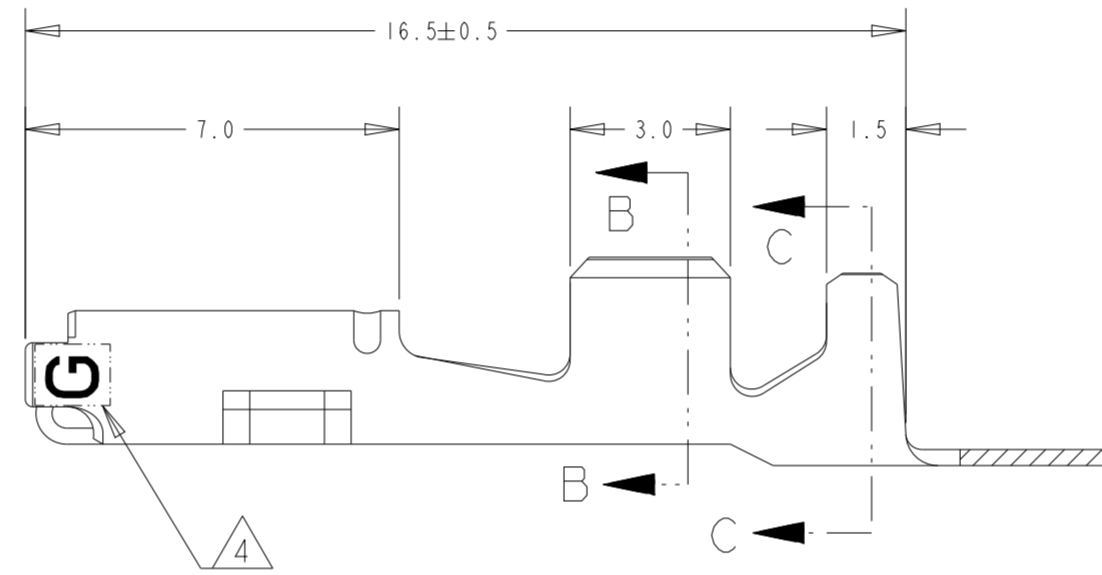


- 1 0.00076 MINIMUM THICK GOLD PLATE OVER 0.0013 MINIMUM NICKEL PLATE.
- 2 0.0008 MINIMUM THICK PRE-TIN.
- 3 0.75 x 0.75 DIE IDENTIFICATION MARK.
- 4 FOR GOLD PLATED PART ONLY - AT LEAST ONE "G" INDICATOR MUST BE VISIBLE IN THIS LOCATION ON EITHER SIDE INDICATING GOLD PLATED CONTACT
- 5 0.00038 MINIMUM THICK GOLD PLATE OVER 0.0013 MINIMUM NICKEL PLATE.

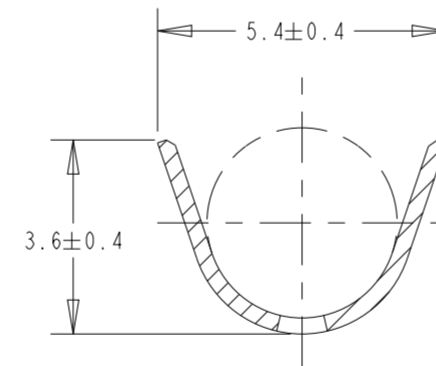
GOLD PLATING IDENTIFIED IS ON TOP SPRING



SECTION A-A



SECTION B-B



SECTION C-C

5	1.2 - 2.7	AVS 0.5 - 2.0mm ² (#20 - #14 AWG)	1-184030-1
2	1.2 - 2.7	AVS 0.5 - 2.0mm ² (#20 - #14 AWG)	184030-3
1	1.2 - 2.7	AVS 0.5 - 2.0mm ² (#20 - #14 AWG)	184030-1
FINISH		INSULATION DIA	WIRE RANGE
PART NUMBER			

THIS DRAWING IS A CONTROLLED DOCUMENT.

DWN	KD LYLE	7/07/94	TE Connectivity CONTACT, RECEPTACLE, .070 TYPE
CHK	JP KUNKLE	7/26/94	
APVD	JP KUNKLE	7/26/94	
NAME			
DIMENSIONS: mm TOLERANCES UNLESS OTHERWISE SPECIFIED: 0 PLC ± 1 PLC ±0.3 2 PLC ±0.3 3 PLC ± 4 PLC ± ANGLES ± FINISH ±			PRODUCT SPEC APPLICATION SPEC WEIGHT CUSTOMER DRAWING
MATERIAL PHOS BRZ (0.3 THK)			SIZE A200779 DRAWING NO C-184030 RESTRICTED TO SCALE 10:1 SHEET 1 OF 1 REV W1