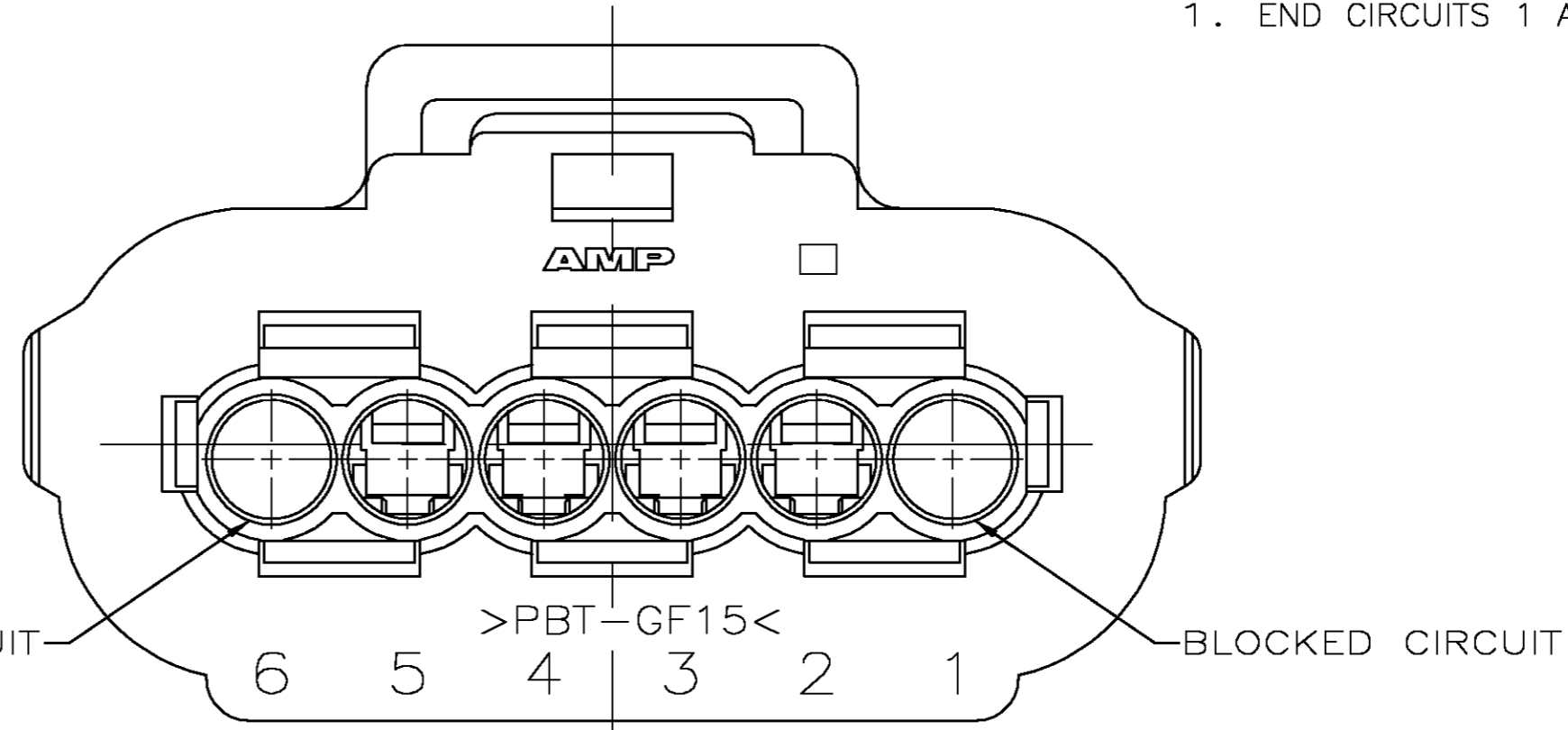
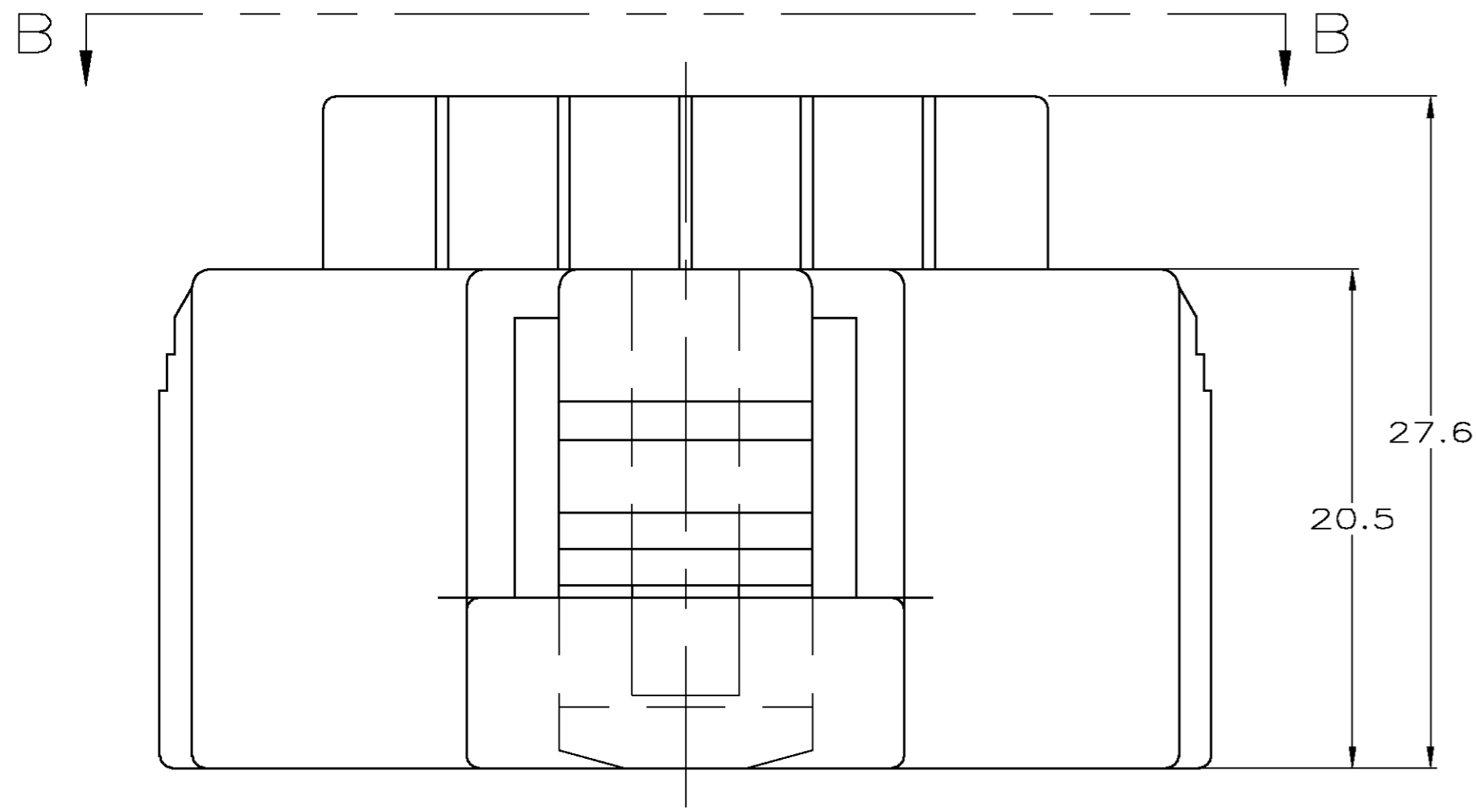
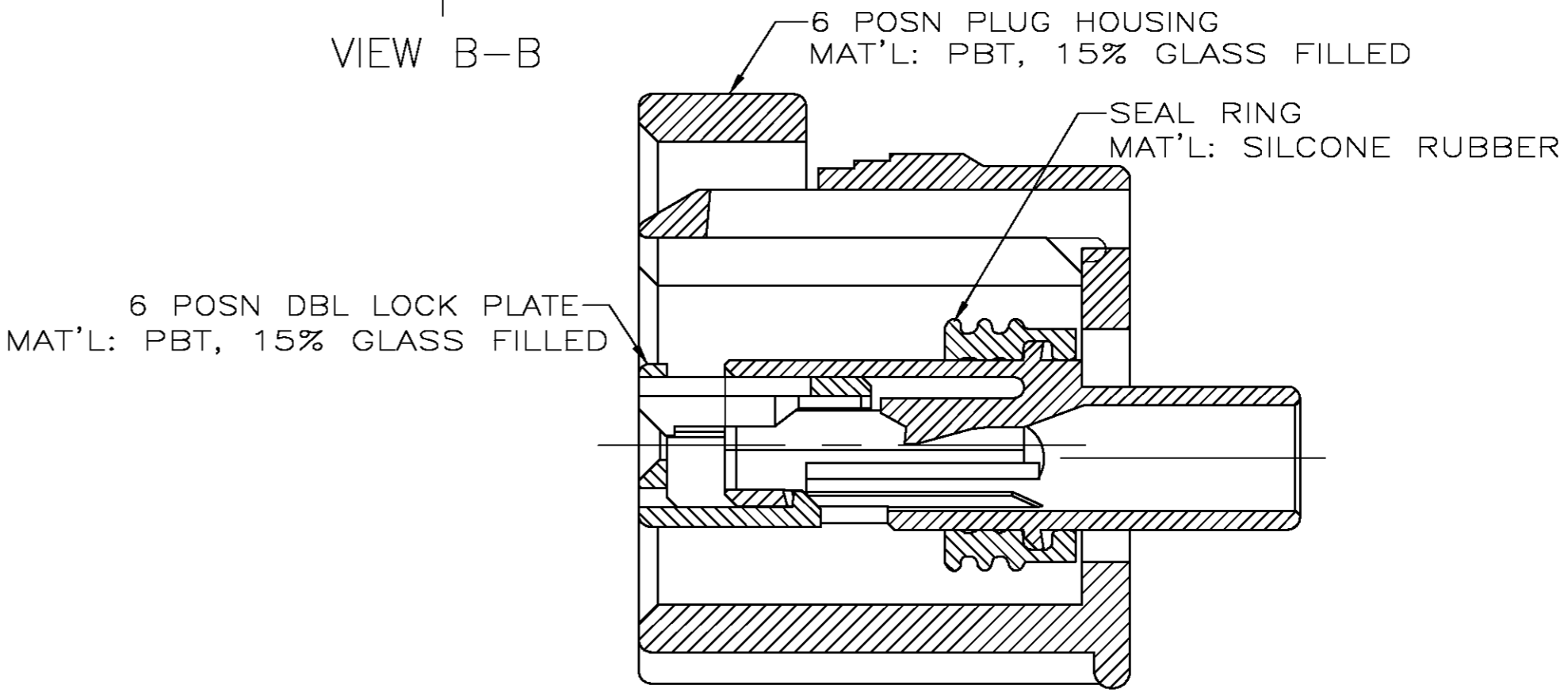
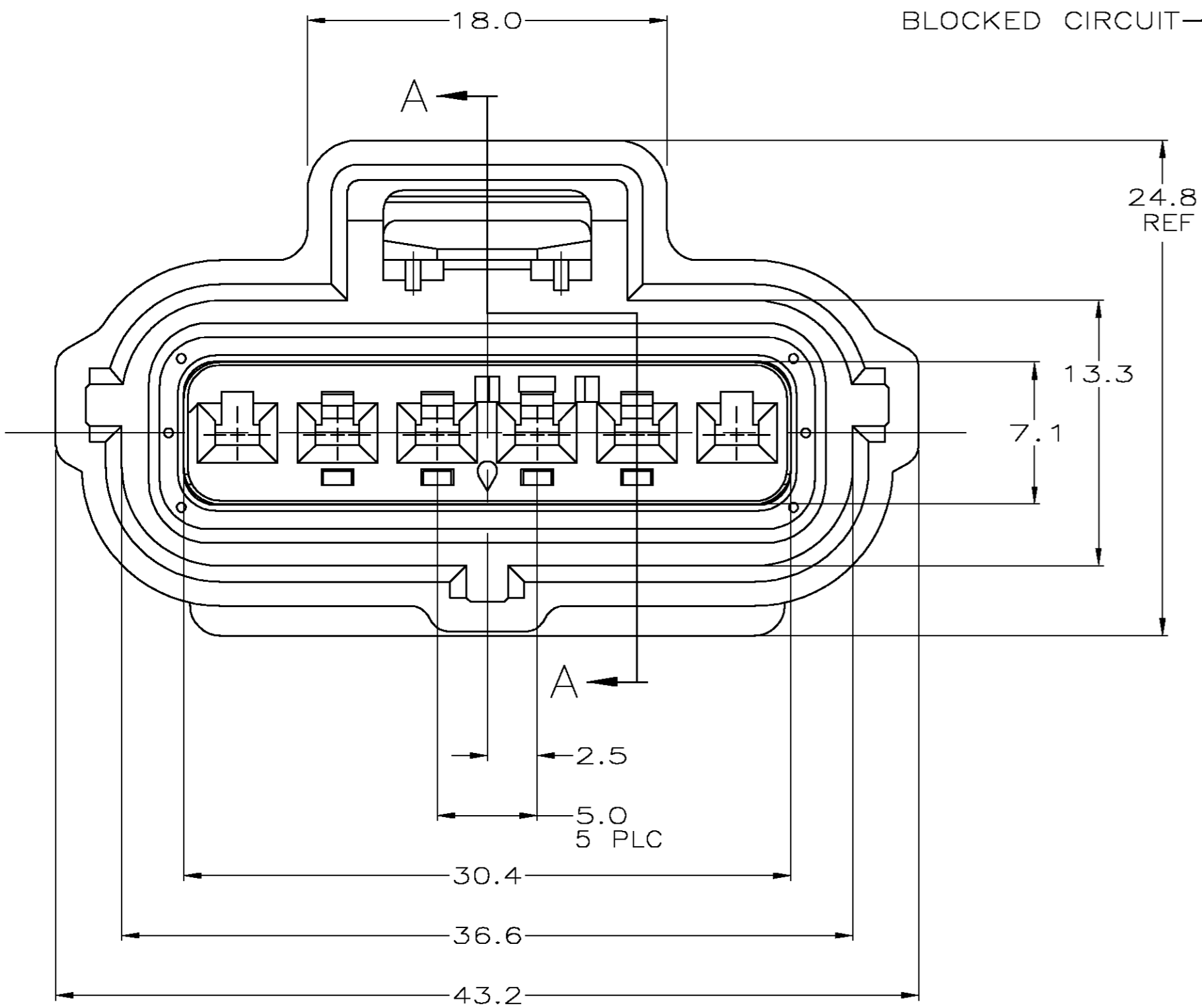


THIS DRAWING IS UNPUBLISHED. RELEASED FOR PUBLICATION
 © COPYRIGHT BY TYCO ELECTRONICS CORPORATION. ALL RIGHTS RESERVED.

LOC		DIST		REVISIONS					
G		16		P	LTR	DESCRIPTION	DATE	DWN	APVD
				G		EC 0K40-0177-04	12AUG04	JRB	KLC



NOTES:
 1. END CIRCUITS 1 AND 6 ARE BLOCKED.



184026-1
 PART NUMBER

THIS DRAWING IS A CONTROLLED DOCUMENT.		DWN	K.WISE	02/08/95	 Tyco Electronics Corporation Harrisburg, Pa 17105-3608
DIMENSIONS: mm		CHK	C.HYRB	02/10/95	
TOLERANCES UNLESS OTHERWISE SPECIFIED:		APVD	J.KUNKLE	02/10/95	
0 PLC ± - 1 PLC ± - 2 PLC ± 0.3 3 PLC ± - 4 PLC ± - ANGLES ±' - FINISH -		PRODUCT SPEC	NAME		
MATERIAL		APPLICATION SPEC	1 X 6 B PLG ASY KEY A-C3		
		WEIGHT	A2 00779		RESTRICTED TO
		CUSTOMER DRAWING	SCALE	4:1	SHEET 1 OF 1
			DRAWING NO	C=184026	REV G