

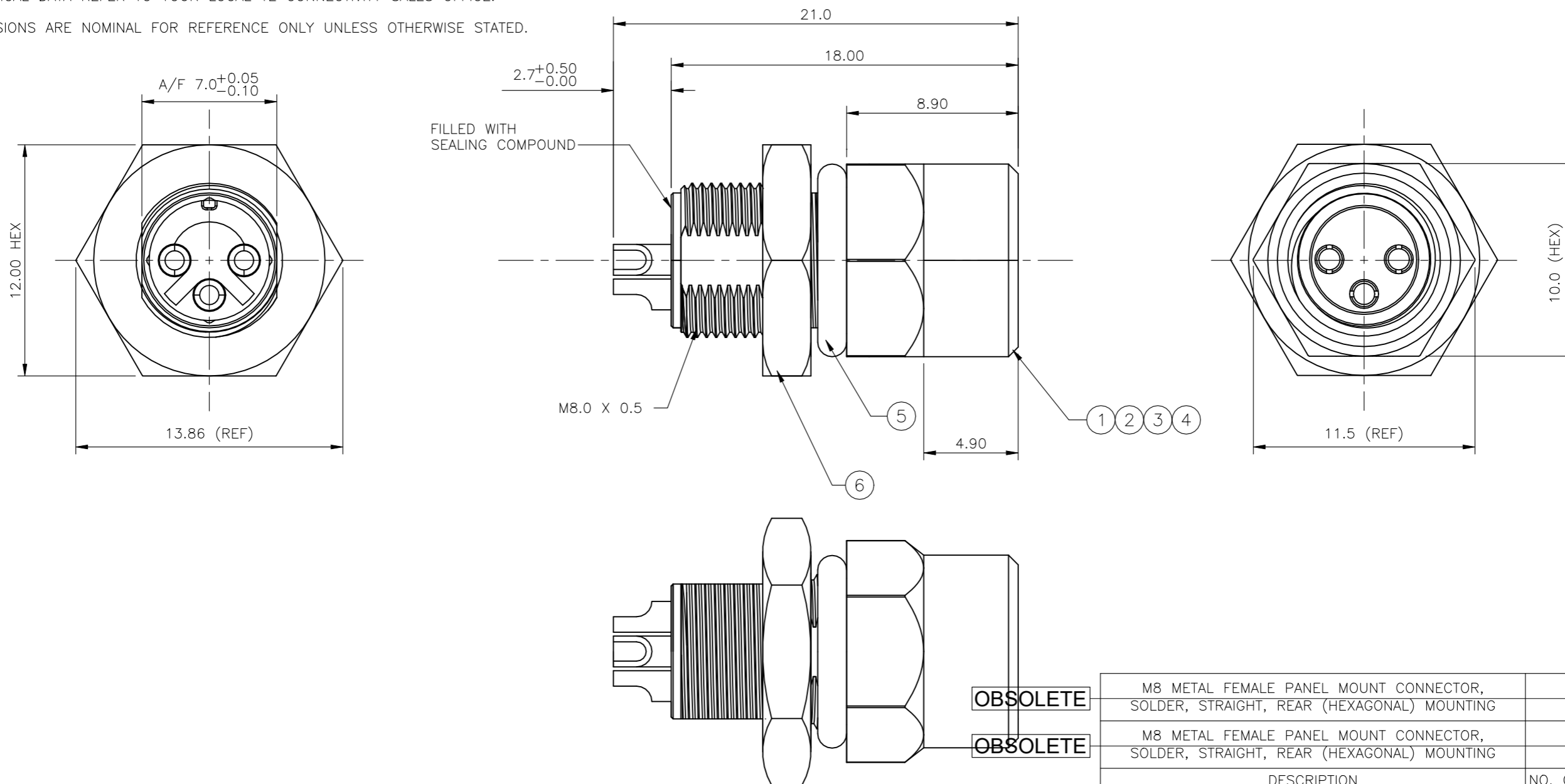
REVISIONS

NOTES:

- 1. ELECTRICAL DATA: CONTACT RESISTANCE: 10 mOhm MAX
INSULATION RESISTANCE: 100 MOhm MIN at 500VDC
CURRENT RATING: 5 AMPS (FOR 3, 4 AND 5 POSITIONS) AND 2 AMPS (FOR 8 POSITION ONLY)
BREAKDOWN VOLTAGE: 500 VAC MIN PER MINUTE
- 2. ENVIRONMENTAL: OPERATING TEMPERATURE: -25°C TO +90°C
SEALING REQUIREMENTS: IP67
- 3. PROD SPEC: 108-3641
- 4. PACKAGING: 107-3334
- 5. FOR TECHNICAL DATA REFER TO YOUR LOCAL TE CONNECTIVITY SALES OFFICE.
- 6. ALL DIMENSIONS ARE NOMINAL FOR REFERENCE ONLY UNLESS OTHERWISE STATED.

P	LTR	DESCRIPTION	DATE	DWN	APVD
	D2	ECR-22-148170	07MAY2024	BP	CW

ITEM	DESCRIPTION	MATERIAL	FINISH/COLOUR	QUANTITY / ITEM	
				-1	-2
1	CONNECTOR HOUSING	GF NYLON	BLACK	1	1
2	SOCKET CONTACT	BRASS	0.15µm GOLD OVER NICKEL	3	4
3	CONNECTOR BODY	ZINC DIE CAST	2.5µm NICKEL PLATED	1	1
4	'O' RING	VITON	GREEN	1	1
5	'O' RING	EPDM	BLACK	1	1
6	SCREW NUT	BRASS	2.5µm NICKEL PLATED	1	1



OBSOLETE	M8 METAL FEMALE PANEL MOUNT CONNECTOR, SOLDER, STRAIGHT, REAR (HEXAGONAL) MOUNTING	4	1838839-2
OBSOLETE	M8 METAL FEMALE PANEL MOUNT CONNECTOR, SOLDER, STRAIGHT, REAR (HEXAGONAL) MOUNTING	3	1838839-1
	DESCRIPTION	NO. OF POS	PART NUMBER

OBSOLETE

THIS DRAWING IS A CONTROLLED DOCUMENT.

DWN	A. Morey	21FEB07	STE TE Connectivity Ltd.		
CHK	F. Wheeler-King	22FEB07			
APVD	F. Wheeler-King	22FEB07			
PRODUCT SPEC	NAME M8 METAL FEMALE PANEL MOUNT CONN, SOLDER, STRAIGHT, REAR (HEXAGONAL) MOUNTING				
APPLICATION SPEC	-				
WEIGHT	-	SIZE	CAGE CODE	DRAWING NO	RESTRICTED TO
		A3	00779	C-1838839	-
CUSTOMER DRAWING				SCALE	SHEET
				NTS	1 OF 2
				REV	D2

REVISIONS

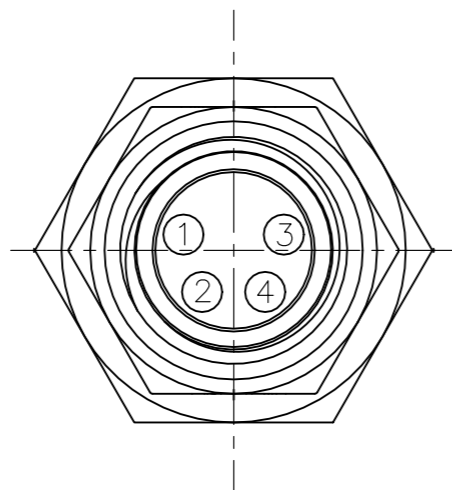
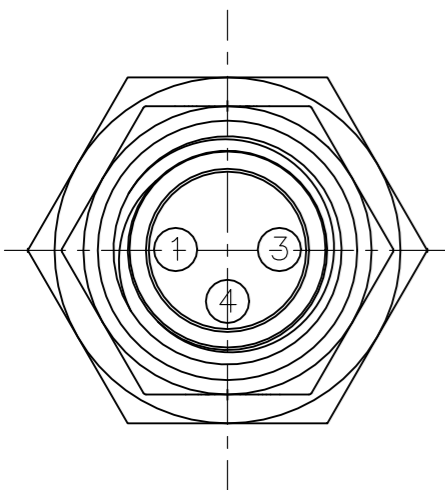
P	LTR	DESCRIPTION	DATE	DWN	APVD
-	-	SEE SHEET 1	-	-	-

1838839-1

1838839-2

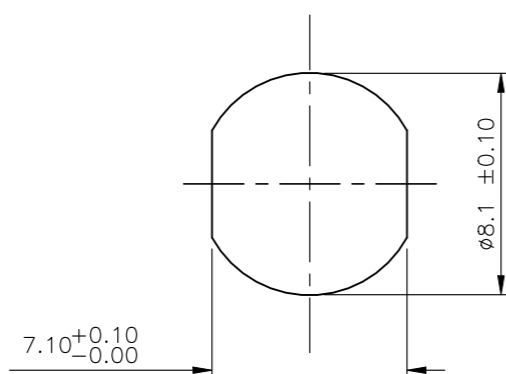
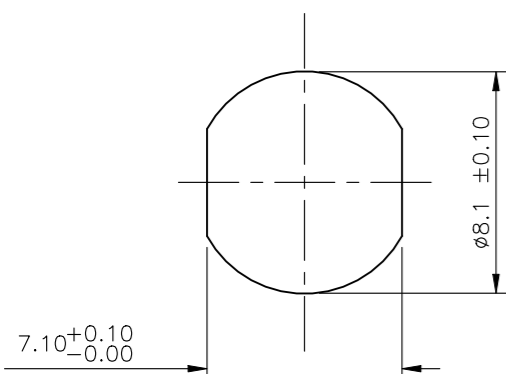
PIN ASSIGNMENTS
FRONT VIEW

PIN ASSIGNMENTS
FRONT VIEW



RECOMMENDED PANEL CUT-OUT
(MAX PANEL THICKNESS 4.5mm)

RECOMMENDED PANEL CUT-OUT
(MAX PANEL THICKNESS 4.5mm)



THIS DRAWING IS A CONTROLLED DOCUMENT.

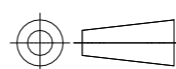
DWN	A. Morey	21FEB07
CHK	F. Wheeler-King	22FEB07
APVD	F. Wheeler-King	22FEB07



DIMENSIONS:

mm

TOLERANCES UNLESS OTHERWISE SPECIFIED:



0 PLC	± -
1 PLC	± -
2 PLC	± -
3 PLC	± -
4 PLC	± -
ANGLES	± -

MATERIAL

FINISH

WEIGHT

CUSTOMER DRAWING

NAME
M8 METAL FEMALE PANEL MOUNT CONN,
SOLDER, STRAIGHT, REAR (HEXAGONAL) MOUNTING

SIZE	CAGE CODE	DRAWING NO	RESTRICTED TO
A3	00779	C-1838839	-

SCALE	SHEET	REV
NTS	2 OF 2	D2