

THIS DRAWING IS UNPUBLISHED. RELEASED FOR PUBLICATION AUG ,2005.

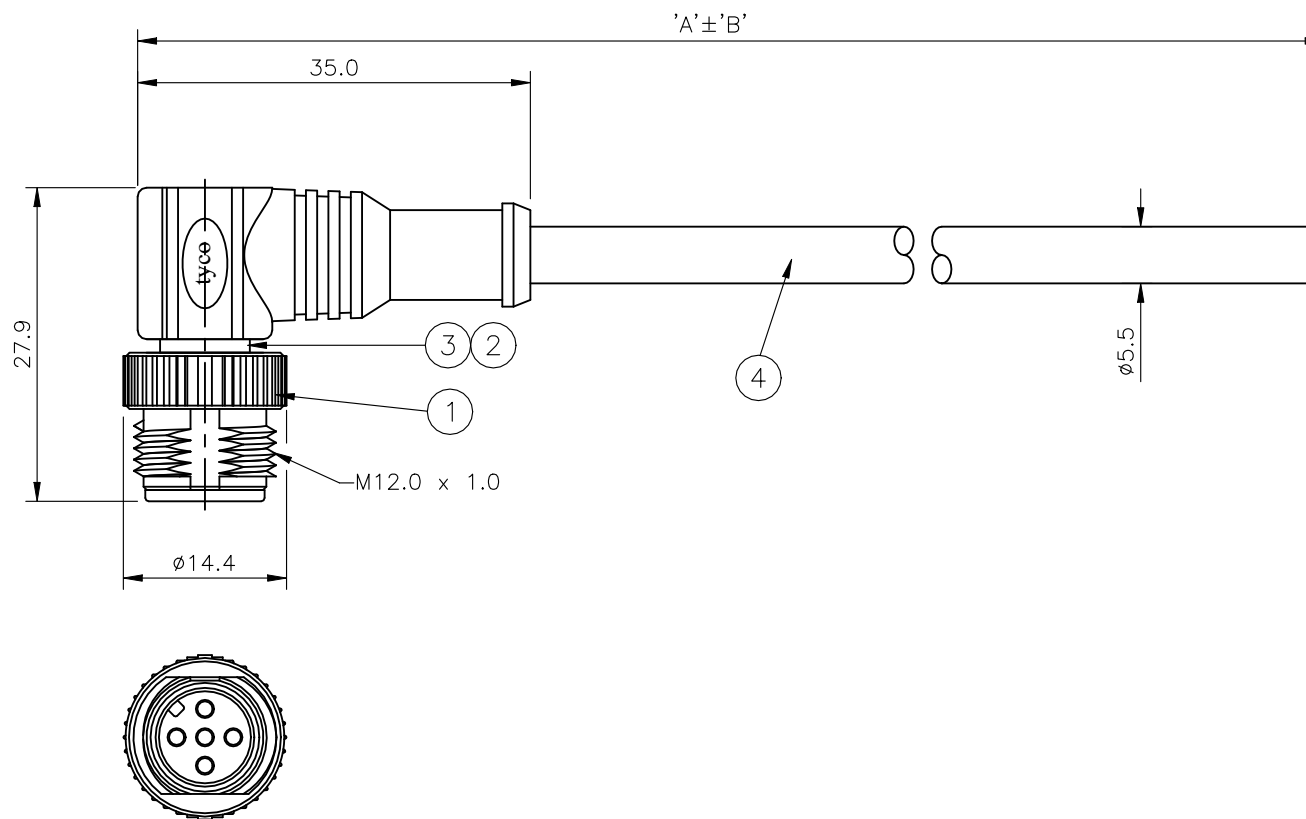
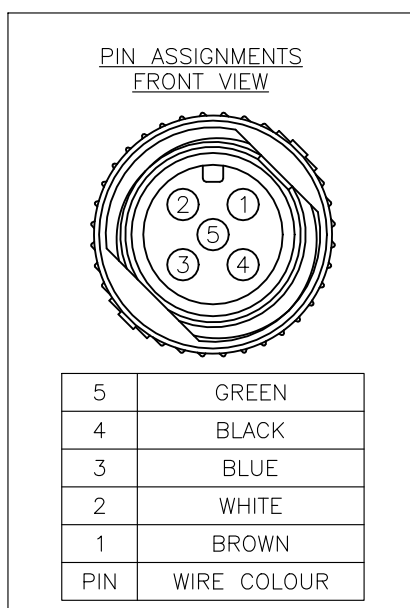
© COPYRIGHT 2005 BY TYCO ELECTRONICS CORPORATION. ALL RIGHTS RESERVED.

LOC	DIST	REVISIONS			
P	LTR	DESCRIPTION	DATE	DWN	APVD
E	B	B1	ECR-22-151172	07MAY2024	BP CW

NOTES:

- ELECTRICAL DATA: CONTACT RESISTANCE: 10 mOhm MAX
INSULATION RESISTANCE: 100 MOhm MIN at 500VDC
CURRENT RATING: 5 AMPS
BREAKDOWN VOLTAGE: 500 VAC MIN PER MINUTE
- ENVIRONMENTAL: OPERATING TEMPERATURE: -20°C TO +80°C
SEALING REQUIREMENTS: IP67
- PROD SPEC: 108-3641
- PACKAGING: 107-3334
- FOR TECHNICAL DATA REFER TO YOUR LOCAL TYCO ELECTRONICS SALES OFFICE
- ALL DIMENSIONS ARE NOMINAL FOR REFERENCE ONLY UNLESS OTHERWISE STATED

ITEM	DESCRIPTION	MATERIAL	FINISH/COLOUR	QTY
1	SCREW NUT	ZINC DIE CAST	2.5µm NICKEL PLATED	1
2	CONNECTOR BODY	POLYURETHANE	BLACK	1
3	PIN CONTACT	BRASS	0.15µm GOLD PLATED OVER NICKEL	5
4	5 CORE CABLE (CORES 22AWG TO UL2464)	PVC JACKET UV RESISTANT	BLACK	1



	10000	500 mm	M12 RIGHT ANGLED MALE CONNECTOR 10.0m CABLE	1838252-5
	7000	350 mm	M12 RIGHT ANGLED MALE CONNECTOR 7.0m CABLE	1838252-4
OBSOLETE	5000	250 mm	M12 RIGHT ANGLED MALE CONNECTOR 5.0m CABLE	1838252-3
	3000	150 mm	M12 RIGHT ANGLED MALE CONNECTOR 3.0m CABLE	1838252-2
	2000	100 mm	M12 RIGHT ANGLED MALE CONNECTOR 2.0m CABLE	1838252-1
	DIM A	TOL 'B'	DESCRIPTION	PART NUMBER

THIS DRAWING IS A CONTROLLED DOCUMENT.		DWN H M RAGHAVENDRA 22AUG05	Tyco Electronics Corporation Bideford, UK, EX39 4HE	
DIMENSIONS: mm		CHK F.WHEELER-KING 15DEC05	NAME M12 RIGHT ANGLED MALE CONNECTOR 5 POSITION, PVC CABLE	
TOLERANCES UNLESS OTHERWISE SPECIFIED:		APVD F.WHEELER-KING 15DEC05	PRODUCT SPEC	
0 PLC ± - 1 PLC ± - 2 PLC ± - 3 PLC ± - 4 PLC ± - ANGLES ± -		APPLICATION SPEC		
MATERIAL		WEIGHT	SIZE A3	CAGE CODE 00779
FINISH		DRAWING NO G-1838252		RESTRICTED TO
CUSTOMER DRAWING			SCALE NTS	SHEET 1 OF 1
			REV B1	