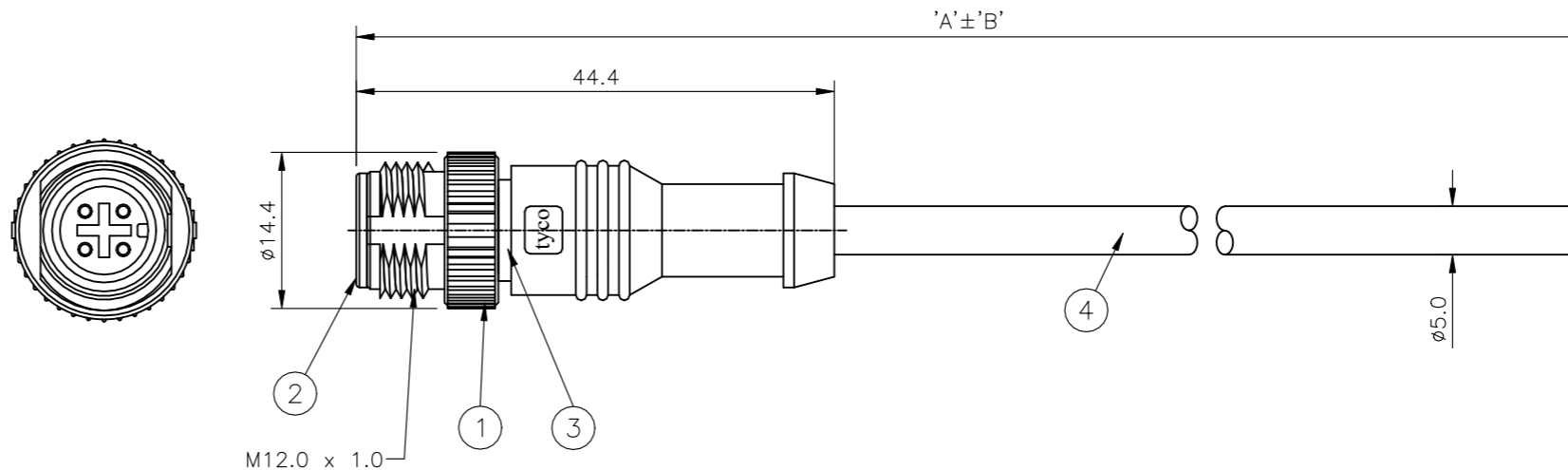
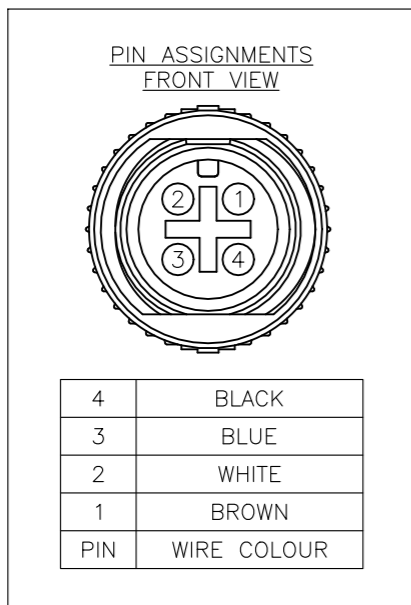


P	LTR	DESCRIPTION	DATE	DWN	APVD
	A3	ECR-22-148170	07MAY2024	BP	CW

NOTES:

- ELECTRICAL DATA: CONTACT RESISTANCE: 10 mOhm MAX  
INSULATION RESISTANCE: 100 MOhm MIN at 500VDC  
CURRENT RATING: 5 AMPS  
BREAKDOWN VOLTAGE: 500 VAC MIN PER MINUTE
- ENVIRONMENTAL: OPERATING TEMPERATURE: -20°C TO +80°C  
SEALING REQUIREMENTS: IP67
- PROD SPEC: 108-3641
- PACKAGING: 107-3334
- FOR TECHNICAL DATA REFER TO YOUR LOCAL TE CONNECTIVITY SALES OFFICE
- ALL DIMENSIONS ARE NOMINAL FOR REFERENCE ONLY UNLESS OTHERWISE STATED

ITEM	DESCRIPTION	MATERIAL	FINISH/COLOUR	QTY
1	SCREW NUT	ZINC DIE CAST	2.5µm NICKEL PLATED	1
2	CONNECTOR BODY	POLYURETHANE	BLACK	1
3	PIN CONTACT	BRASS	0.15µm GOLD PLATED OVER NICKEL	4
4	3 CORE CABLE (CORES 22AWG TO UL2464)	PVC JACKET UV RESISTANT	BLACK	1



OBSOLETE	10000	500mm	M12 STRAIGHT MALE CONNECTOR 10.0m CABLE	1838238-5
OBSOLETE	7000	350mm	M12 STRAIGHT MALE CONNECTOR 7.0m CABLE	1838238-4
OBSOLETE	5000	250mm	M12 STRAIGHT MALE CONNECTOR 5.0m CABLE	1838238-3
OBSOLETE	3000	150mm	M12 STRAIGHT MALE CONNECTOR 3.0m CABLE	1838238-2
OBSOLETE	2000	100mm	M12 STRAIGHT MALE CONNECTOR 2.0m CABLE	1838238-1

**OBSOLETE**

THIS DRAWING IS A CONTROLLED DOCUMENT.		DWN A.Morey 13MAR07	TE Connectivity														
DIMENSIONS: mm		CHK F.Wheeler-King 14MAR07															
TOLERANCES UNLESS OTHERWISE SPECIFIED:		APVD F.Wheeler-King 14MAR07	NAME M12 STRAIGHT MALE CONNECTOR 4 POSITION, PVC CABLE														
<table border="1"> <tbody> <tr> <td>0 PLC</td> <td>± -</td> </tr> <tr> <td>1 PLC</td> <td>± -</td> </tr> <tr> <td>2 PLC</td> <td>± -</td> </tr> <tr> <td>3 PLC</td> <td>± -</td> </tr> <tr> <td>4 PLC</td> <td>± -</td> </tr> <tr> <td>ANGLES</td> <td>± -</td> </tr> </tbody> </table>		0 PLC	± -	1 PLC	± -	2 PLC	± -	3 PLC	± -	4 PLC	± -	ANGLES	± -	PRODUCT SPEC -	DRAWING NO -		
0 PLC	± -																
1 PLC	± -																
2 PLC	± -																
3 PLC	± -																
4 PLC	± -																
ANGLES	± -																
MATERIAL -		FINISH -	APPLICATION SPEC -	SIZE A3	CAGE CODE 00779												
CUSTOMER DRAWING			WEIGHT -	DRAWING NO C-1838238	RESTRICTED TO -												
			SCALE NTS	SHEET 1 OF 1	REV A3												