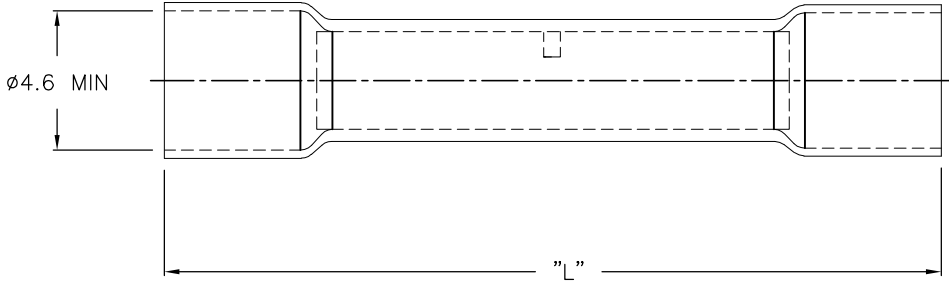


LOC	DIST	REVISIONS					
		P	LTR	DESCRIPTION	DATE	DWN	APVD
			A1	NOMINAL LENGTH DIM ADDED; VENDOR CHANGE	03JUL2012	SP	RP



'L' = 31.5 (NOMINAL)
36.0 MAX

NOTES:

1. MATERIAL: INSULATING TUBE – CROSS LINKED POLYAMIDE
CRIMP SPLICE – COPPER ALLOY ELECTRO TINNED
2. WIRE RANGE: 1.5 – 2.5 mm² [AWG 14– 16]
WIRE INSULATION DIAMETER RANGE : 2.0 – 4.6 mm
3. TEMPERATURE RATING: –55°C TO +125°C
4. PACKAGING:
CARTON BOX CONTAINS 5 BAGS OF 1000 PCS EACH.


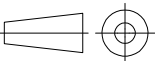
RELEASED FOR PUBLICATION

ALL RIGHTS RESERVED.

THIS DRAWING IS UNPUBLISHED.

© COPYRIGHT – By –

183597-1
PART NUMBER

DIMENSIONS: mm	DWN R.Dopotrlo 28-06-95	MATERIAL SEE NOTE 1	FINISH COLOR – BLUE
	CHK A.Bruni 28-06-95	 TE Connectivity	
TOLERANCES UNLESS OTHERWISE SPECIFIED:	APVD -		
0 PLC ± -	APPLICATION SPEC -	SIZE A4	CAGE CODE 00779
1 PLC ± 0.3	WEIGHT -	DRAWING NO C-183597	RESTRICTED TO -
2 PLC ± -		CUSTOMER DRAWING	
3 PLC ± -		SCALE 4:1	SHEET 1 OF 1
4 PLC ± -			
ANGLES ± 2'			