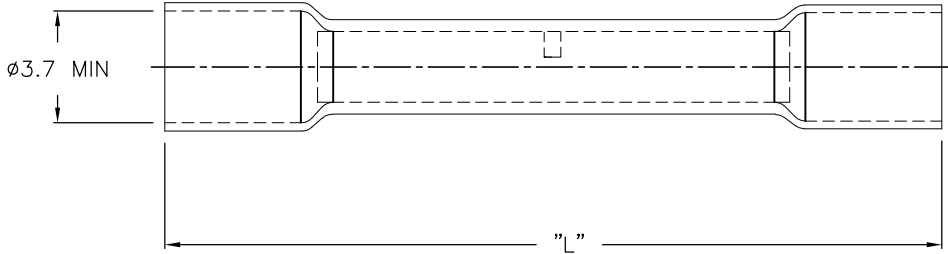


| | | | | | | | |
|-----|------|-----------|-----|------------------------------|-----------|-----|------|
| LOC | DIST | REVISIONS | | | | | |
| | — | P | LTR | DESCRIPTION | DATE | DWN | APVD |
| | | | A2 | P/N ACTIVATED; VENDOR CHANGE | 03JUL2012 | SP | RP |



'L' = 31.5 (NOMINAL)
36.0 MAX

NOTES:

1. MATERIAL: INSULATING TUBE – CROSS LINKED POLYAMIDE
CRIMP SPLICE – COPPER ALLOY ELECTRO TINNED
2. WIRE RANGE: 0.5 – 1.0 mm² [AWG 22– 18]
WIRE INSULATION DIAMETER RANGE : 1.5 – 3.7 mm
3. TEMPERATURE RATING: –55°C TO +125°C
4. PACKAGING:
CARTON BOX CONTAINS 5 BAGS OF 1000 PCS EACH.


RELEASED FOR PUBLICATION

ALL RIGHTS RESERVED.

THIS DRAWING IS UNPUBLISHED.

By -
COPYRIGHT -

| |
|-------------|
| 183596-1 |
| PART NUMBER |

| | | | |
|--|----------------------------|--|-----------------------|
| DIMENSIONS: mm | DWN R.Dopotrlo 28-06-95 | MATERIAL SEE NOTE 1 | FINISH COLOR - RED |
| | CHK A.Bruni 28-06-95 |  TE Connectivity | |
| TOLERANCES UNLESS OTHERWISE SPECIFIED: | APVD — | | |
| 0 PLC ± — | PRODUCT SPEC 108-20154 | SIZE A4 | CAGE CODE 00779 |
| 1 PLC ± 0.3 | APPLICATION SPEC — | DRAWING NO C-183596 | RESTRICTED TO — |
| 2 PLC ± — | | WEIGHT — | SCALE 4:1 |
| 3 PLC ± — | CUSTOMER DRAWING | | REV A2 |
| 4 PLC ± — | | | |
| ANGLES ± 2° | | | |

