

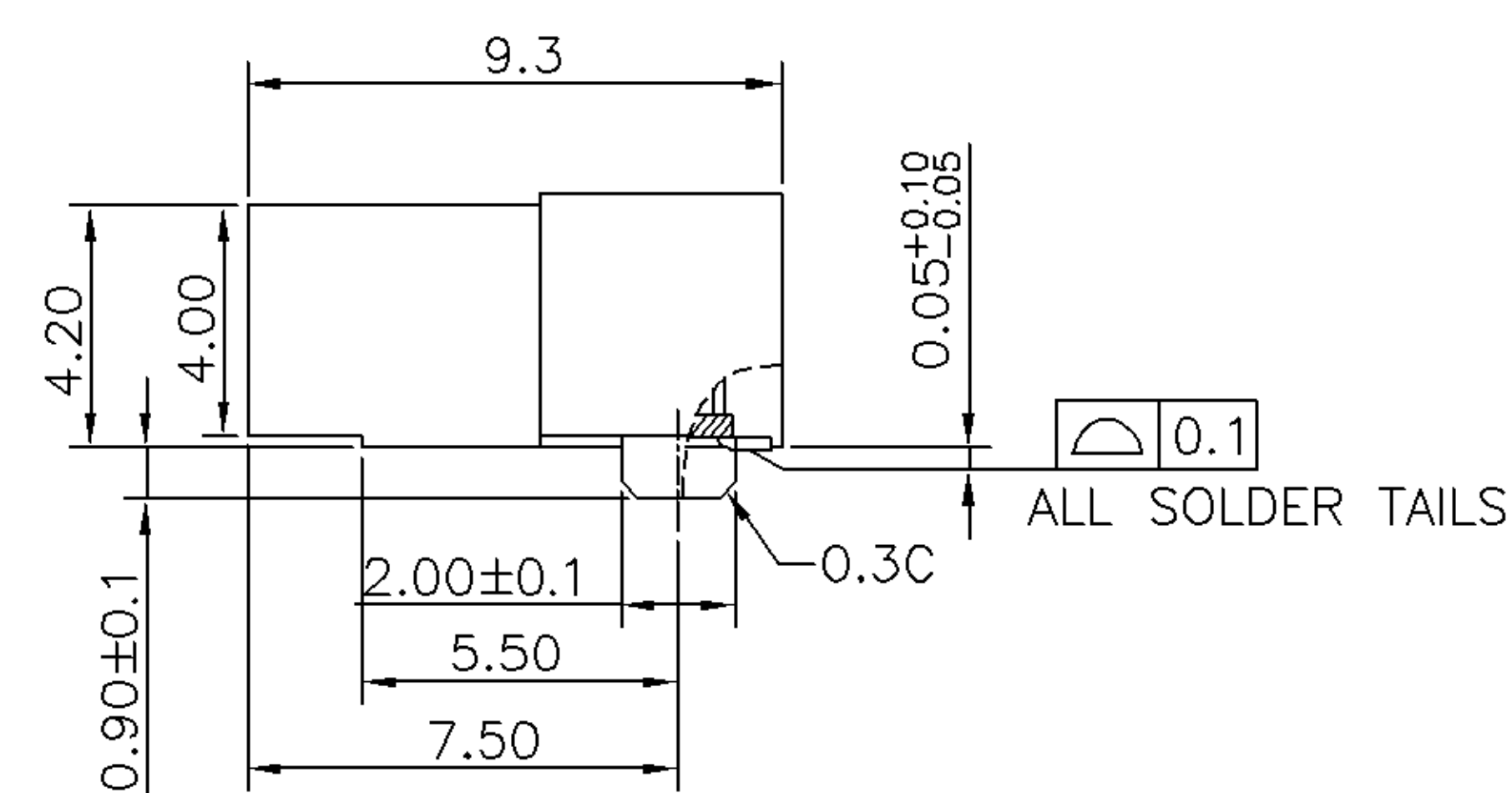
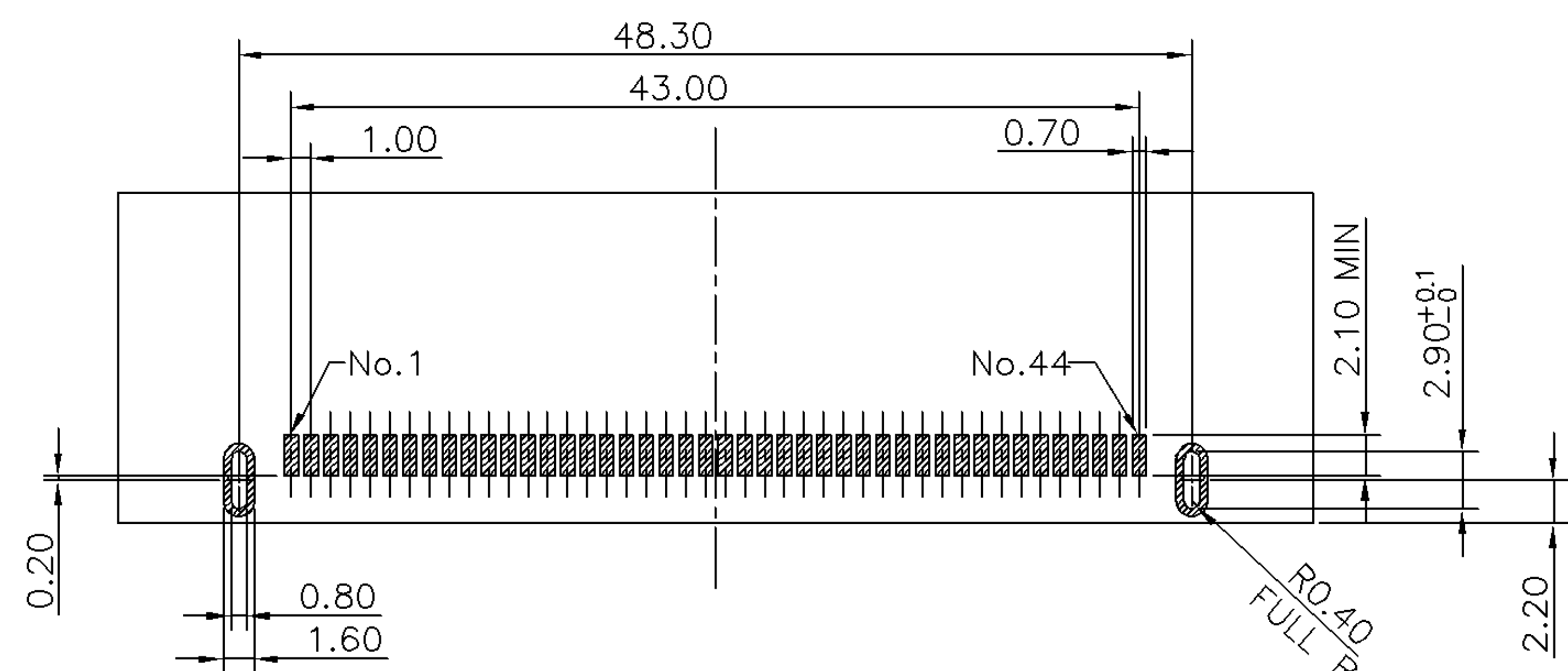
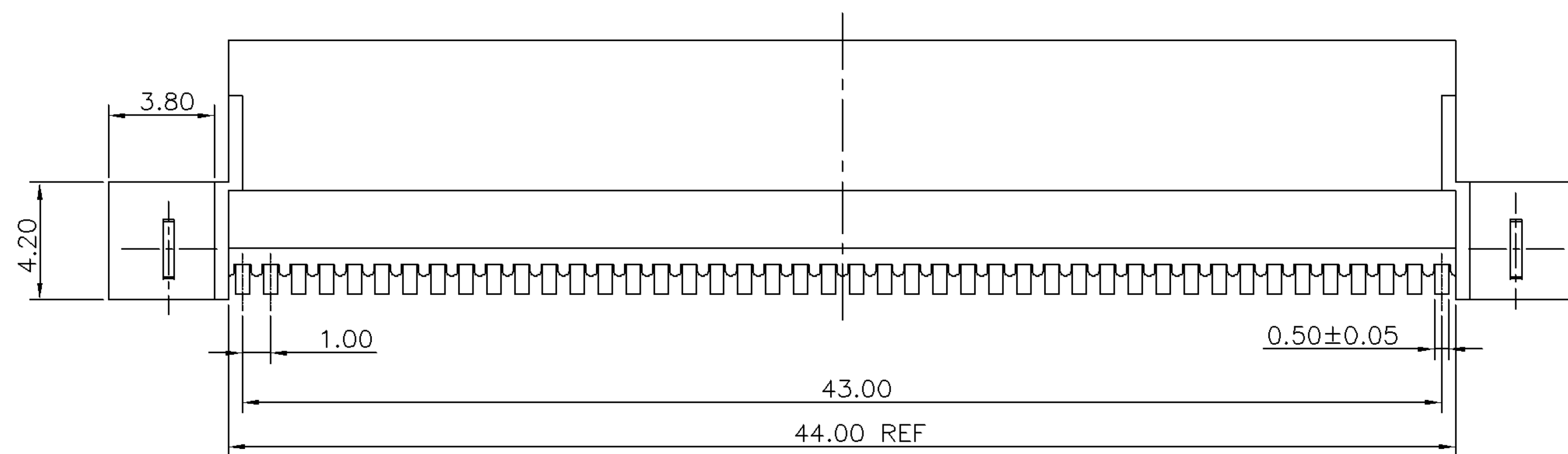
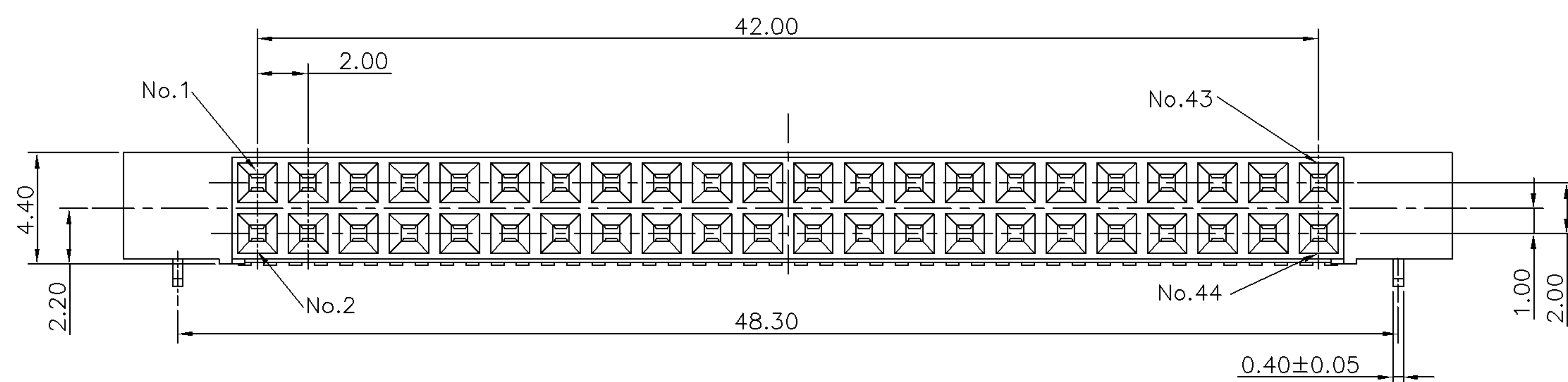
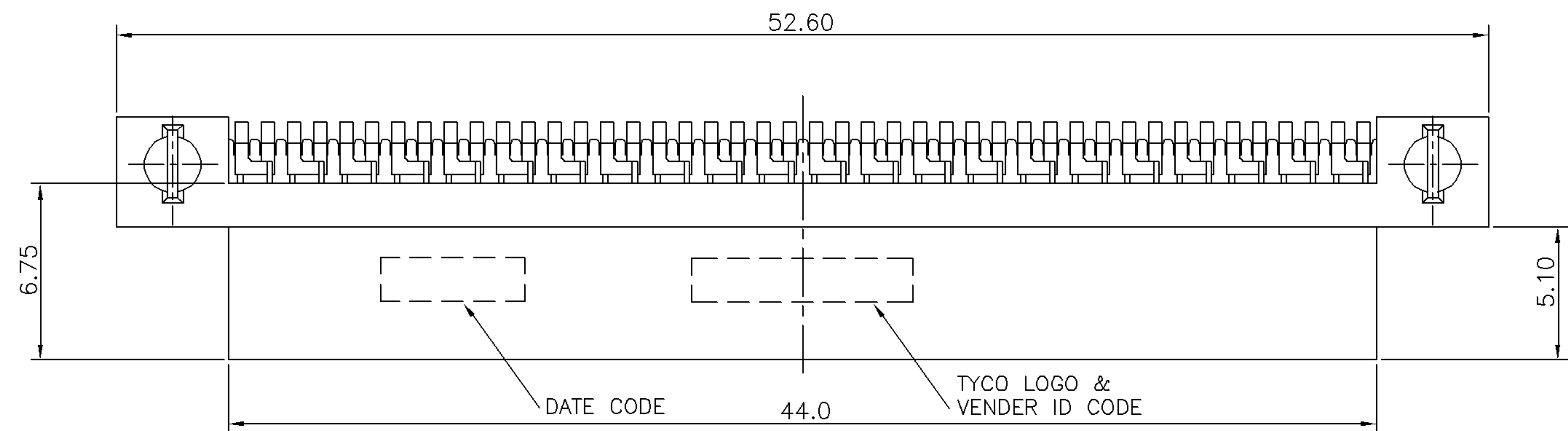
NUMBER  
C-1834810

3RD ANGLE PROJECTION

METRIC

THIS INFORMATION IS CONFIDENTIAL AND IS DISCLOSED TO YOU ON CONDITION THAT NO FURTHER DISCLOSURE IS MADE BY YOU TO OTHER THAN AMP PERSONNEL WITHOUT WRITTEN AUTHORIZATION FROM AMP (TAIWAN) LTD. DIMENSIONS IN MILLIMETERS. DO NOT SCALE PRINT.

PRINT DIST  
DW



NOTES:

1. MATERIAL:
    - 1.1 HOUSING: THERMOPLASTIC, HIGH TEMP., UL94V-0; COLOR:COOL GRAY/10U.
    - 1.2 CONTACTS: PHOSPHOR BRONZE
    - 1.3 BOARDLOCK :BRASS
  2. FINISH:
    - 2.1 CONTACT:
      - 8μ" MIN. GOLD PLATING ON CONTACT AREA,
      - 1.2μ" MIN. GOLD PLATING ON SOLDER TAIL,
      - 50μ" MIN. NICKEL UNDERPLATING OVERALL.
    - 2.2 BOARDLOCK:
      - 80μ" MIN. MATTE TIN PLATING,
      - 50μ" MIN. NICKEL UNDERPLATING OVERALL.
  3. REFLOW SOLDER CAPABLE TO 260°C PER TYCO SPEC. 109-201, CONDITION B.
- ▲ TO BE APPLIED LUBRICANT OIL ON CONTACT AREA.

▲ 1834810-3  
1834810-2  
PART NUMBER

TOLERANCES UNLESS OTHERWISE SPECIFIED:		DWN	S. HOU	TYCO HOLDINGS (BERMUDA) VII LTD. TAIWAN BRANCH
0 PLC ±			13-JUN-2006	
1 PLC ±0.3		CHK	W.J. KE	NAME
2 PLC ±0.2			13-JUN-2006	
3 PLC ±				2.0 MODU 44P R/A, SMT TYPE, 2.2 HEIGHT
ANGLES ±3'				
MATERIAL		APVD	W.J. KE	LOC SIZE DRAWING NO REV
SEE NOTE			13-JUN-2006	
FINISH		PRODUCT SPEC		SCALE SHEET
SEE NOTE		108-57440		
		QUALIFICATION TEST REPORT		1 OF 2
		501-57506		
		WEIGHT		
		2.5 GRAM		

A	ADDED P/N:-3	ECR-06-013972	SH	13JUN
O	FIRST RELEASED	--	WK	2006
LTR	REVISION RECORD	ECN	SH	19AUG
			WK	2005
			DWN	DATE
			CHK	

CUSTOMER DRAWING

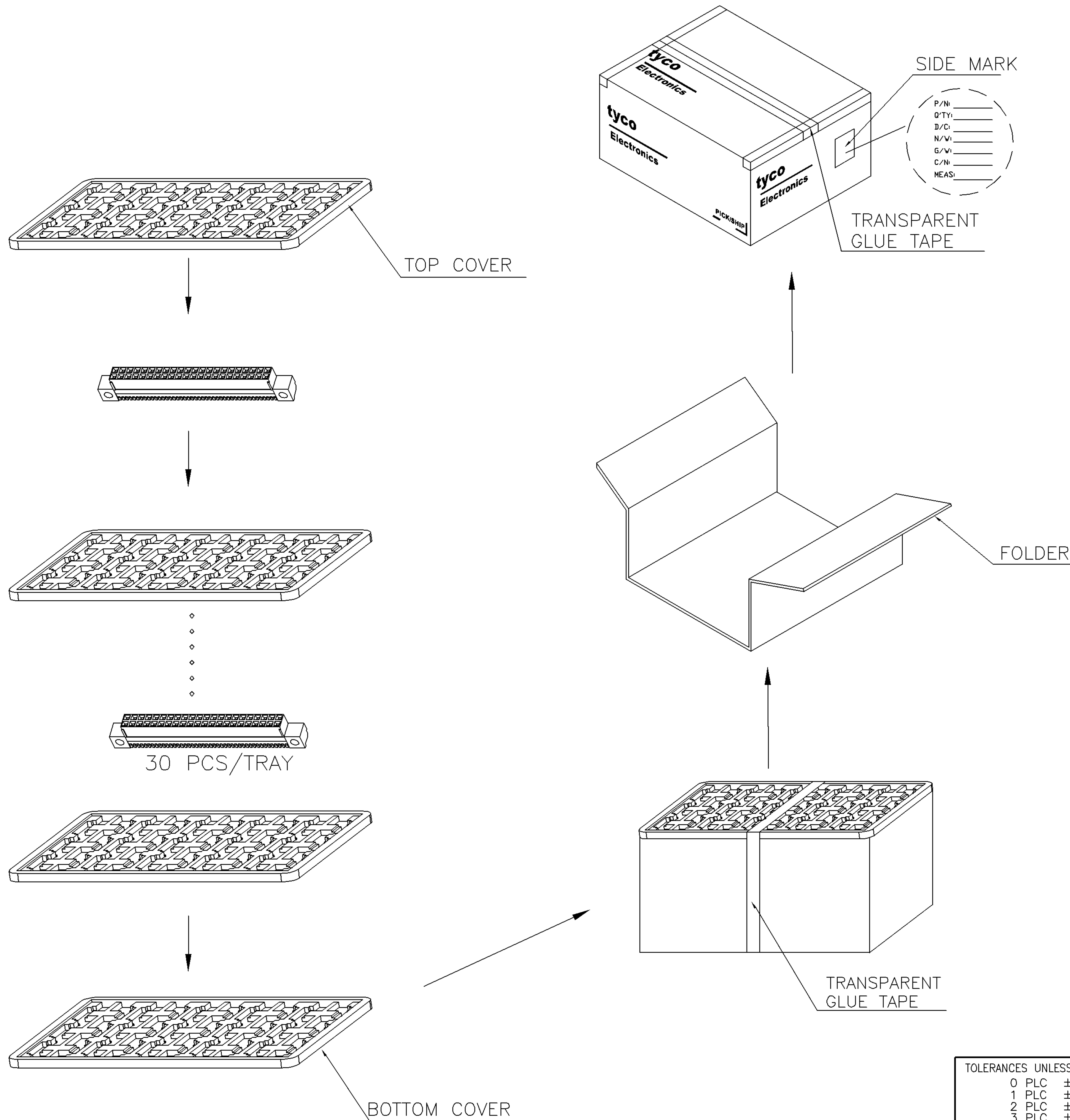
NUMBER C-1834810

3RD ANGLE PROJECTION

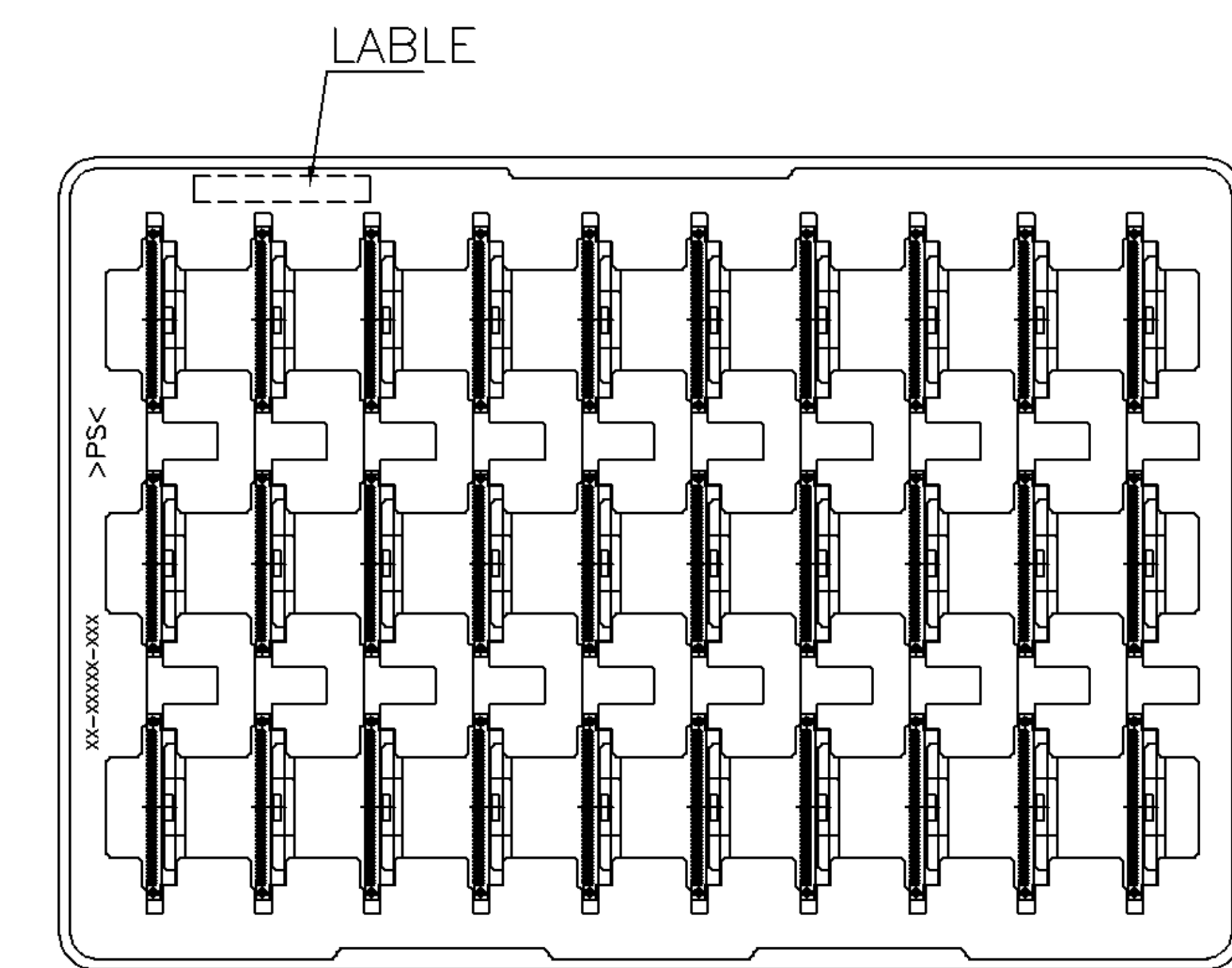
METRIC

THIS INFORMATION IS CONFIDENTIAL AND IS DISCLOSED TO YOU ON CONDITION THAT NO FURTHER DISCLOSURE IS MADE BY YOU TO OTHER THAN AMP PERSONNEL WITHOUT WRITTEN AUTHORIZATION FROM AMP (TAIWAN) LTD. DIMENSIONS IN MILLIMETERS. DO NOT SCALE PRINT.

PRINT DIST DW



- NOTES :
- MATERIAL :
    - TRAY : PS
    - SHIPPING CARTON : CORRUGATED FIBERBOARD
  - DIMENSION :
    - TRAY :L=335,W=230,H=8.9
    - SHIPPING CARTON : L=340,W=243,H=133
  - QUANTITY :
    - PRIMARY PACKING: 30 PCS/TRAY
    - SECONDARY PACKING: 15 TRAY/CARTON(450PCS)
  - WEIGHT :
    - NET WEIGHT : 1.125Kg
    - GROSS WEIGHT : 2.5Kg



TRAY LAYOUT

TOTAL 15 TRAY

30 PCS/TRAY

TRANSPARENT GLUE TAPE

TOLERANCES UNLESS OTHERWISE SPECIFIED: 0 PLC ± 1 PLC ±0.3 2 PLC ±0.2 3 PLC ± ANGLES ±3'		DWN	S. HOU	<b>tyco</b> TYCO HOLDINGS (BERMUDA)	
		CHK	W.J. KE	VII LTD. TAIWAN BRANCH	
		13-JUN-2006		NAME	
		13-JUN-2006		2.0 MODU 44P R/A, SMT TYPE, 2.2 HEIGHT	
MATERIAL	APVD	W.J. KE			
		13-JUN-2006			
		PRODUCT SPEC			
FINISH	QUALIFICATION TEST REPOERT		LOC	SIZE	DRAWING NO
		WEIGHT		DW	A <sub>3</sub>
				C-1834810	
				SCALE	SHEET
				--	2 OF 2

SEE SHEET 1			
LTR	REVISION RECORD	ECN	DWN CHK
			DATE