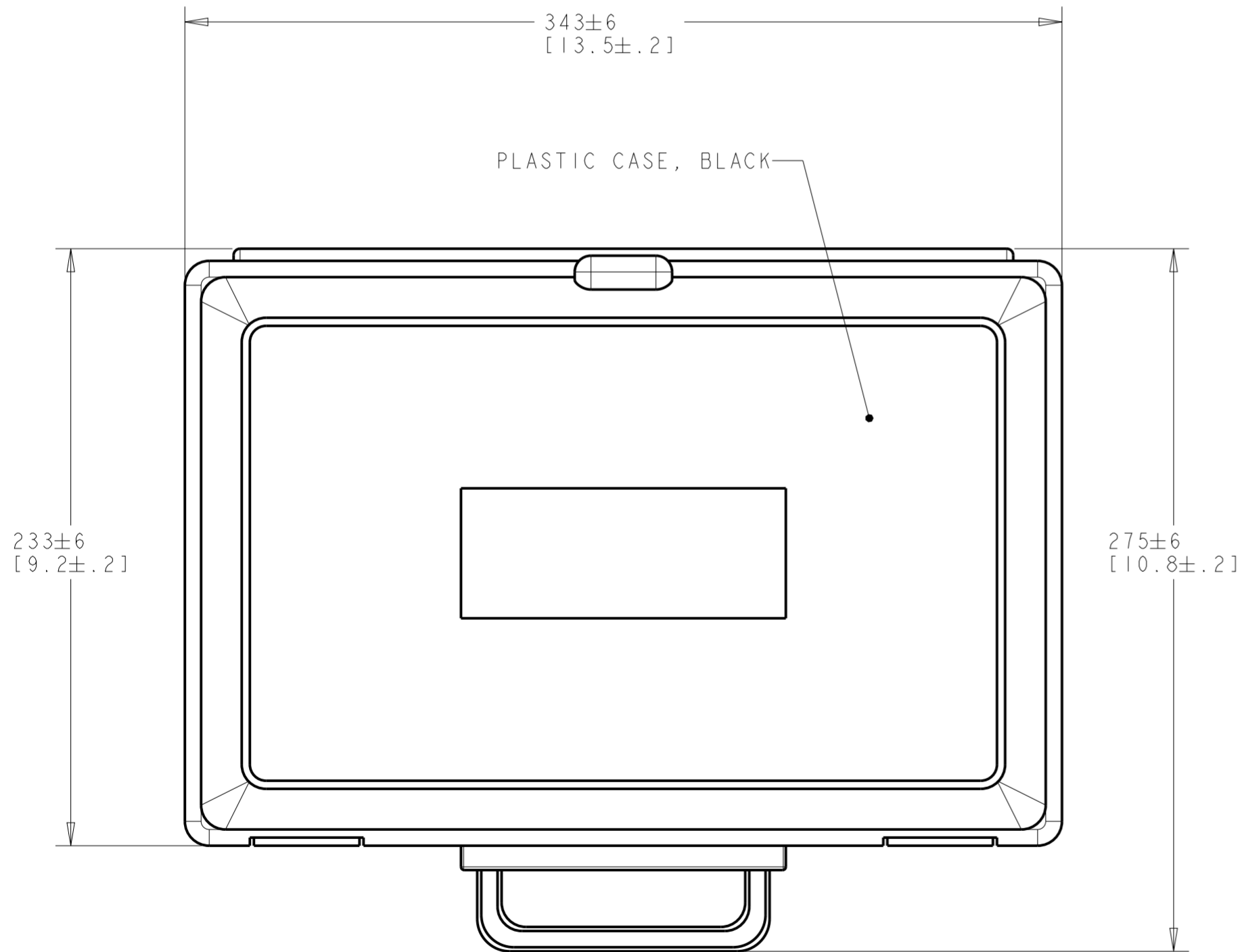
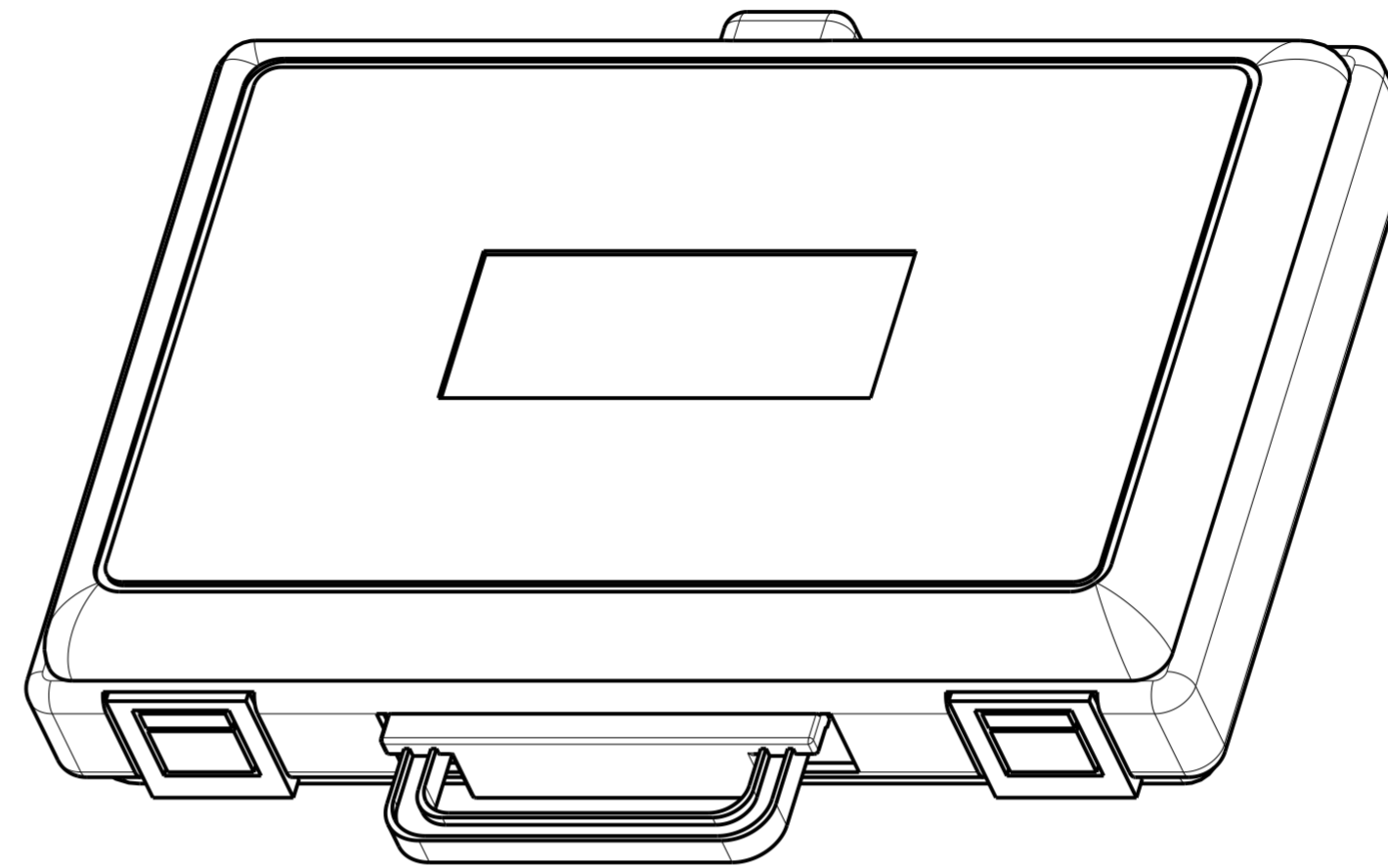
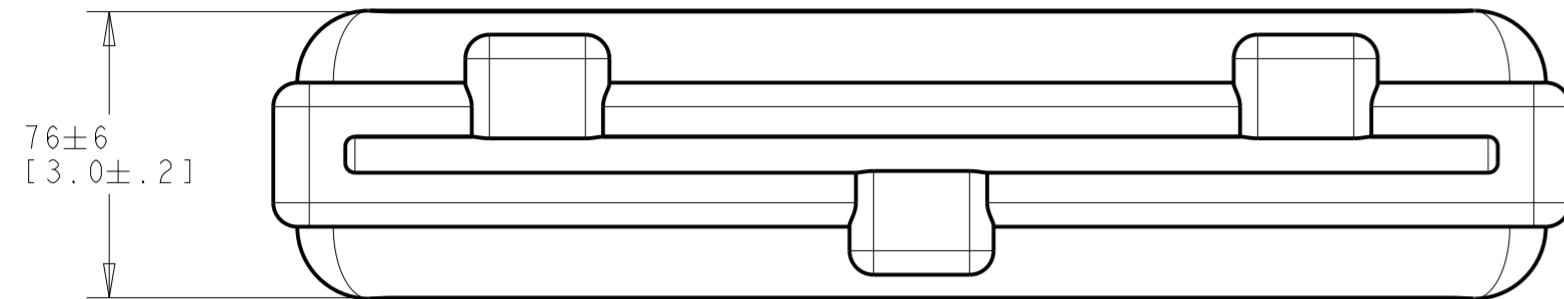


THIS DRAWING IS UNPUBLISHED. RELEASED FOR PUBLICATION  
 © 2016 COMMSCOPE, INC. CONFIDENTIAL NOTICE: THESE DRAWINGS AND SPECIFICATIONS ARE THE PROPRIETARY PROPERTY OF COMMSCOPE, INC. AND MAY BE USED ONLY FOR THE SPECIFIC PURPOSE AUTHORIZED IN WRITING BY COMMSCOPE, INC.

LOC	DIST	REVISIONS					
CE	00	P	LTR	DESCRIPTION	DATE	DWN	APVD
		I		NPR 05-764	15NOV2005	BB	DK
		A		REVISE PER ECR-06-007845	07APR2006	BB	DK
		B		REVISE PER ECR-07-001527	19FEB2007	BB	DK
		C		ECN 8000019610 REBRANDING	28JAN2017	RCR	SC



- 1828867-1 INCLUDES LC TO LC SIMPLEX CABLE ASSEMBLY (2), LC TO SC SIMPLEX CABLE ASSEMBLY (2), 50/125 MANDREL (2) AND DUPLEX CLIPS (6)
- 1828867-2 INCLUDES LC TO LC SIMPLEX CABLE ASSEMBLY (2), LC TO ST SIMPLEX CABLE ASSEMBLY (2), 50/125 MANDREL (2) AND DUPLEX CLIPS (6)
- 1828867-3 INCLUDES LC TO LC CABLE ASSEMBLY (4), 50/125 MANDREL (2) AND DUPLEX CLIPS (6)

<b>OBSOLETE</b>	LC SIMPLEX	1828867-6
<b>OBSOLETE</b>	ST SIMPLEX	1828867-5
<b>OBSOLETE</b>	SC SIMPLEX	1828867-4
	LC	1828867-3
	ST SIMPLEX	1828867-2
	SC SIMPLEX	1828867-1
TEST EQUIPMENT CONNECTION		PART NUMBER

DIMENSIONS:		TOLERANCES UNLESS OTHERWISE SPECIFIED:		APVD		NAME	
mm [INCHES]		0 PLC ±	±	DWN B. BRIGGS 15NOV2005	COMMSCOPE, INC.		
		1 PLC ±	±	CHK D. KIRSCH 15NOV2005	LC TEST CABLE KIT, 50/125um		
		2 PLC ±	±	APVD S. BUCHTER 15NOV2005	SIZE	CAGE CODE	DRAWING NO
		3 PLC ±	±		A2	G-	1828867
		4 PLC ±	±		SCALE	NTS	SHEET 1 OF 1
		ANGLES ±	±				REV C
		FINISH -	-		CUSTOMER DRAWING		