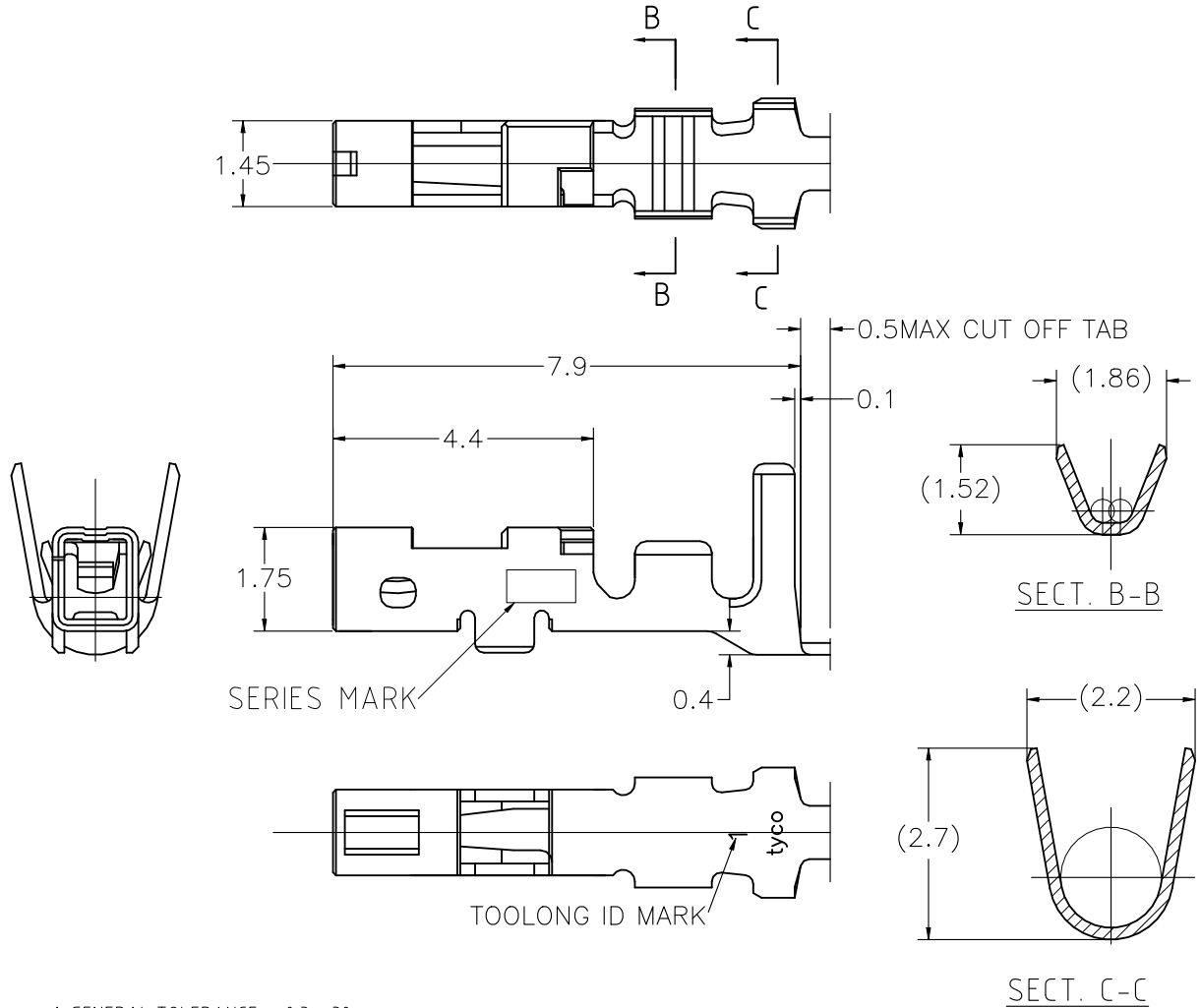


REVISIONS 変更				
P	LTR	DESCRIPTION	DATE	APVD
	C	REVISED PER ECR-22-142637	16JUN2022	RI TS



- 1 GENERAL TOLERANCE : ±0.3, ±3°
- 2 OVER Ni PL : 1.27um MIN
Au PL(CONTACT AREA): 0.38um MIN
- 3 OVER Ni PL : 1.27um MIN
Au PL(CONTACT AREA): 0.2um MIN

TE Connectivity. All Rights Reserved.

D M 4	1827587-4 \triangle
D M	1827587-2 \triangle
SERIES MARK	PART NUMBER

DIMENSIONS: 單位: 耗 mm	DWN T.KUDO 27JAN2007	MATERIAL 材料 COPPER ALLOY	FINISH 仕上 -				
	CHK D.MITSUGI 27JAN2007	TE Connectivity					
TOLERANCES UNLESS OTHERWISE SPECIFIED: 一般公差	APVD D.MITSUGI 27JAN2007			NAME 名称 DYNAMIC D1000 SERIES REC CONTACT (M TYPE)(L/P)			
	0 PLC ± - 1 PLC ± - 2 PLC ± - 3 PLC ± - 4 PLC ± - ANGLES ± -	PRODUCT SPEC 製品規格 108-78268	SIZE A4	CAGE CODE 00779	DRAWING NO 番号 C-1827587	RESTRICTED TO -	
	APPLICATION SPEC 取付適用規格 114-5377	WEIGHT -		CUSTOMER DRAWING	SCALE 尺度 8:1	SHEET 1 OF 1	REV C