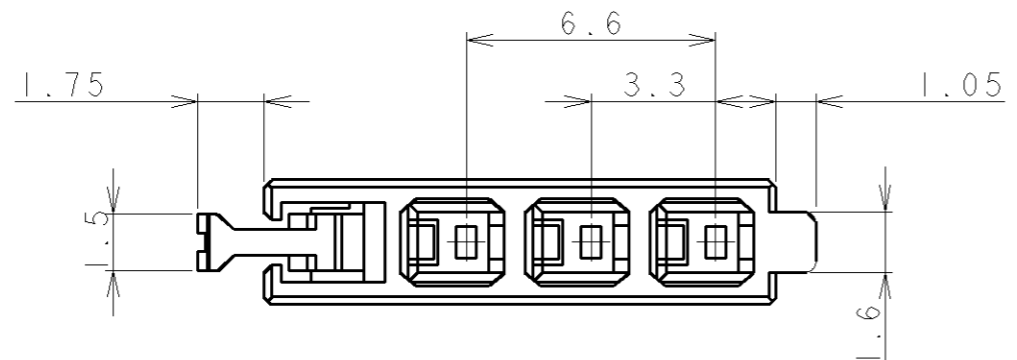


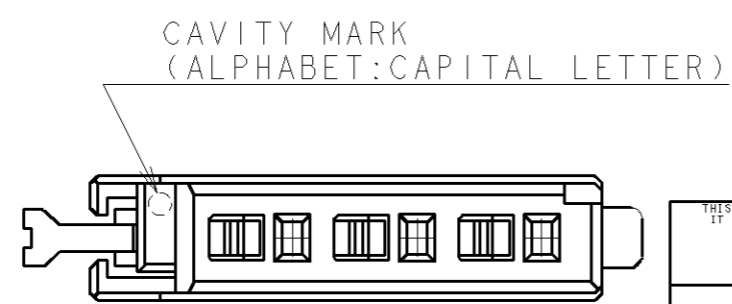
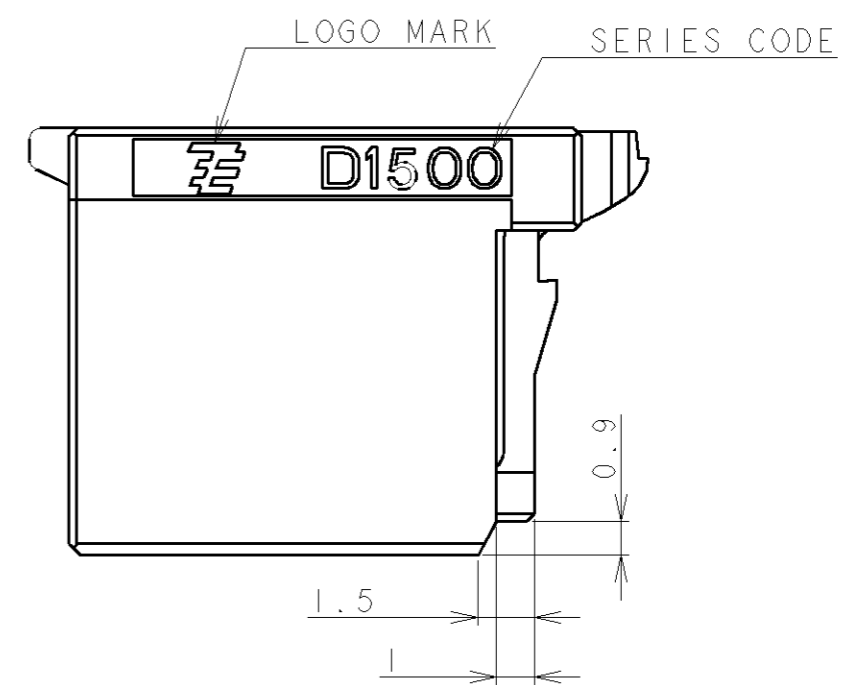
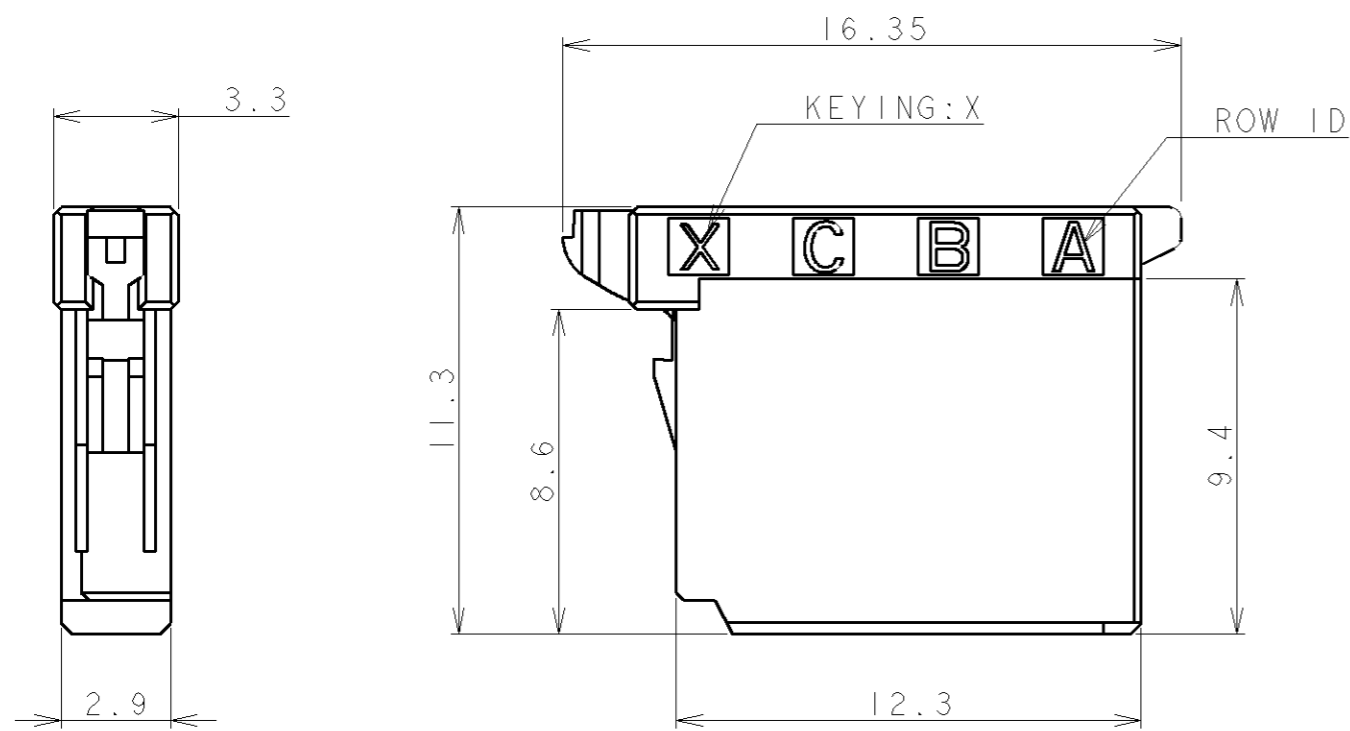
THIS DRAWING IS UNPUBLISHED. RELEASED FOR PUBLICATION 2005
 © COPYRIGHT 2005 BY TYCO ELECTRONICS CORPORATION. ALL INTERNATIONAL RIGHTS RESERVED.

LOC	DIST	REVISIONS					
J		P	LTR	DESCRIPTION	DATE	DWN	APVD
			C	REVISED PER ECR-10-007167	05MAY10	HMR	T.M



1. MATERIAL: GLASS FILLED THERMO PLASTIC POLYESTER(94V-0), COLOR: BLACK
 2. THE SHAPE, SIZE AND POSITION OF THE CHARACTER SHOW THE OUTLINE. THEY DON'T SHOW DETAILS.

1. 材料: ガラス入り熱可塑性ポリエステル樹脂(94V-0)、色: 黒
 2. 文字の形状、大きさ、および位置については、大略を示すものであり、詳細を示すものではありません。



AS SHOWN : 1-1827579-1

THIS DRAWING IS A CONTROLLED DOCUMENT FOR TYCO ELECTRONICS CORPORATION IT IS SUBJECT TO CHANGE AND THE CONTROLLING ENGINEERING ORGANIZATION SHOULD BE CONTACTED FOR THE LATEST REVISION.		DWN T. KUDO 11JAN2005 CHK D. MITSUGI 24AUG2005 APVD D. MITSUGI 24AUG2005		Tyco Electronics Corporation Kawasaki, Japan	
DIMENSIONS: 単位: 概 mm		TOLERANCES UNLESS OTHERWISE SPECIFIED: 一般公差 ±0.3, ±3° 0-PLC ± 1-PLC ± 2-PLC ± 3-PLC ± 4-PLC ± ANGLES ±		NAME 名称 DYNAMIC D1500T REC HSG 3 POS	
		PRODUCT SPEC 製品規格 108-78268		SIZE A3 CAGE CODE 00779 DRAWING NO. C=1827579	
MATERIAL 材料		FINISH 仕上		WEIGHT CUSTOMER DRAWING	
SCALE 尺度 5:1				SHEET 1 OF 1 REV C	