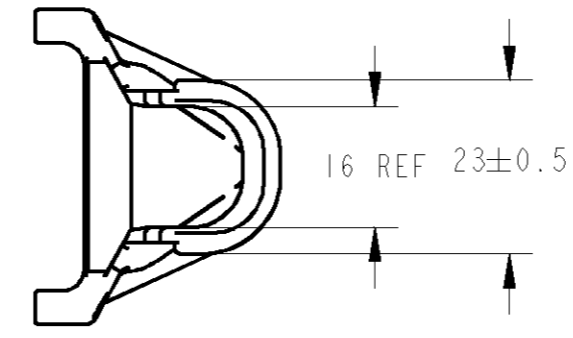
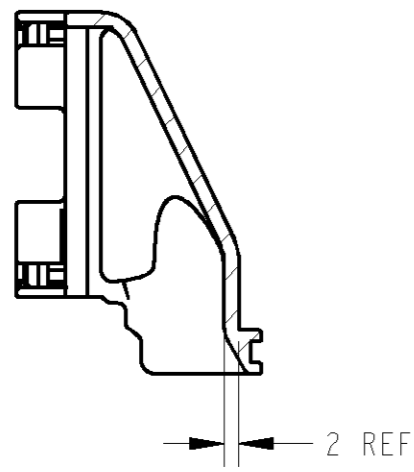
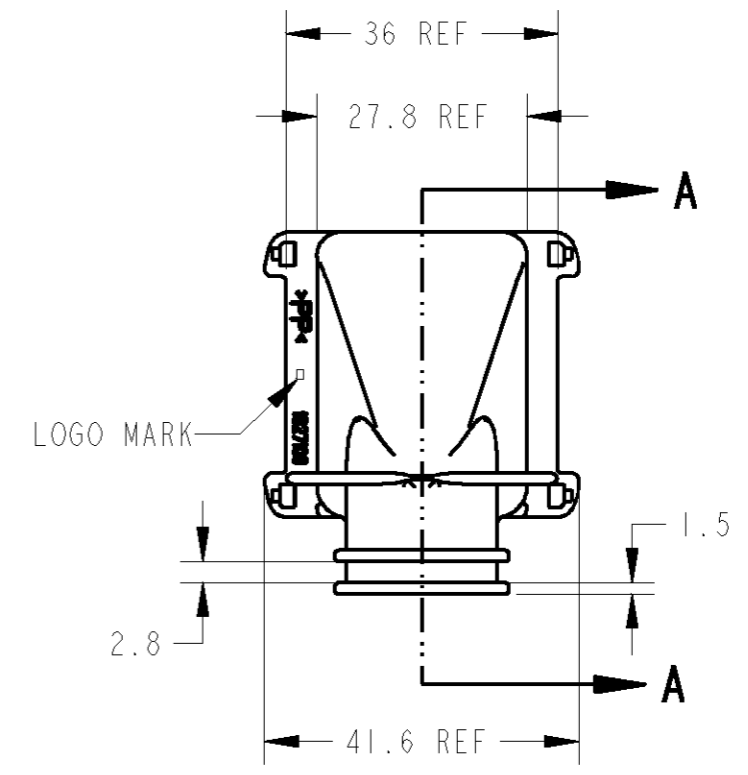
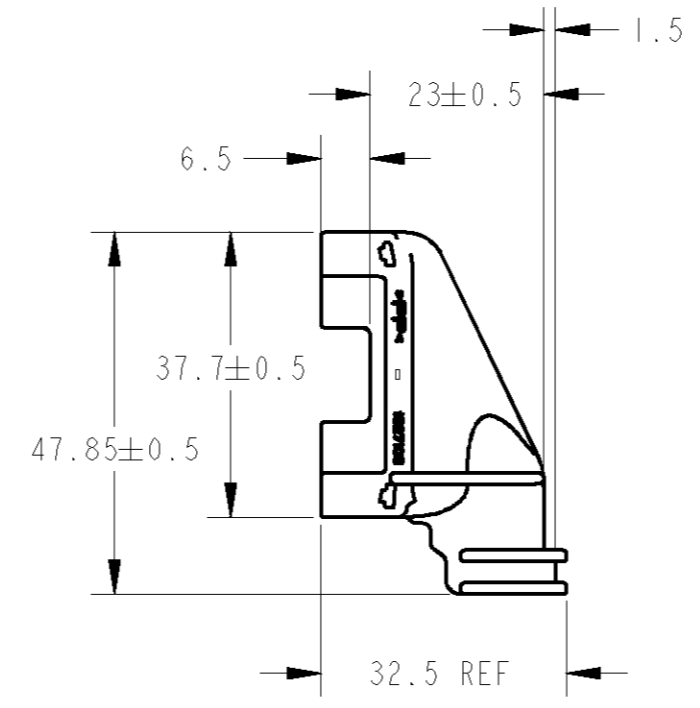
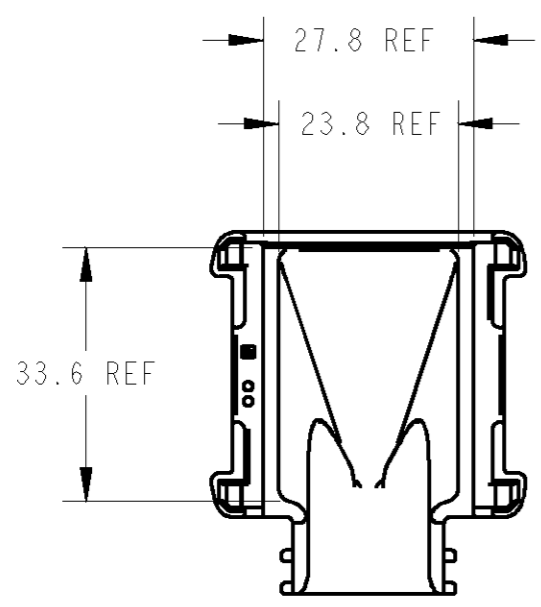


THIS DRAWING IS UNPUBLISHED. RELEASED FOR PUBLICATION 20
 © COPYRIGHT 20 BY TYCO ELECTRONICS CORPORATION. ALL RIGHTS RESERVED.

LOC	DIST	REVISIONS						
		P	LTR	DESCRIPTION	ECN	DATE	DWN	APVD
J	-	0		RELEASED	FJA0-0015-05	07JAN05	K.S	Y.F
		A		REVISED	ECR-10-007504	26MAY10	TS	KB



- 1. MATING WITH PLUG HOUSING SMOOTHLY.
PLUG HOUSING PRODUCT NUMBER ; 1717138
- 1. 相手ハウジングと支障なく嵌合できること。
嵌合相手型番 ; 1717138

- 1 ; AS SHOWN

<small>THIS DRAWING IS A CONTROLLED DOCUMENT FOR TYCO ELECTRONICS CORPORATION IT IS SUBJECT TO CHANGE AND THE CONTROLLING ENGINEERING ORGANIZATION SHOULD BE CONTACTED FOR THE LATEST REVISION.</small>		DWN K.SHIGA 07JAN05 CHK Y.NOGUCHI 07JAN05 APVD Y.FUJIWARA 07JAN05		Tyco Electronics Corporation Kawasaki, Japan	
DIMENSIONS: 単位: 概 mm		TOLERANCES UNLESS OTHERWISE SPECIFIED: 一般公差 ±0.3 0-PLC ± 1-PLC ±0.3 2-PLC ±0.10 3-PLC ±0.001 4-PLC ±0.000 ANGLES ±1.00°		NAME 名称 WIRE COVER 44POSITION A-TYPE 0.64/1.0 SEALED CONNECTOR	
MATERIAL 材料 PP		FINISH 仕上 BLACK		PRODUCT SPEC 製品規格 108-5911 APPLICATION SPEC 取付適用規格 - WEIGHT 重量 5.9g	
		SIZE 寸法 A3		CAGE CODE 番号 00779	
		DRAWING NO 番号 C=1827108		RESTRICTED TO -	
CUSTOMER DRAWING		SCALE 尺度 		SHEET 頁 OF 共 REV 版 A	