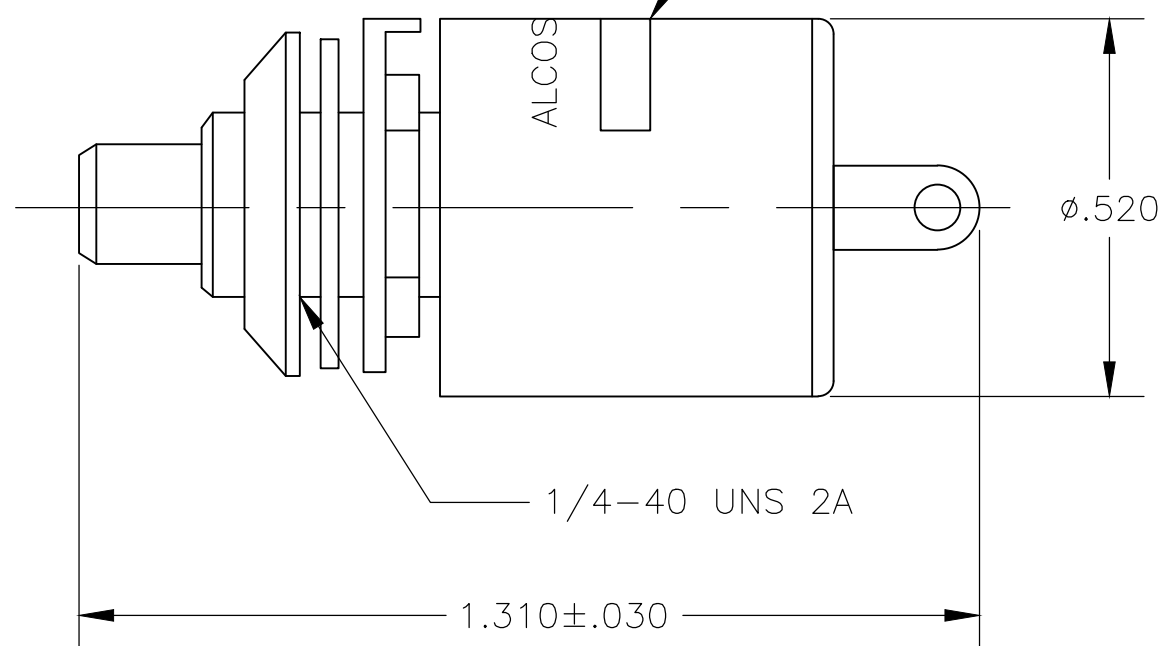
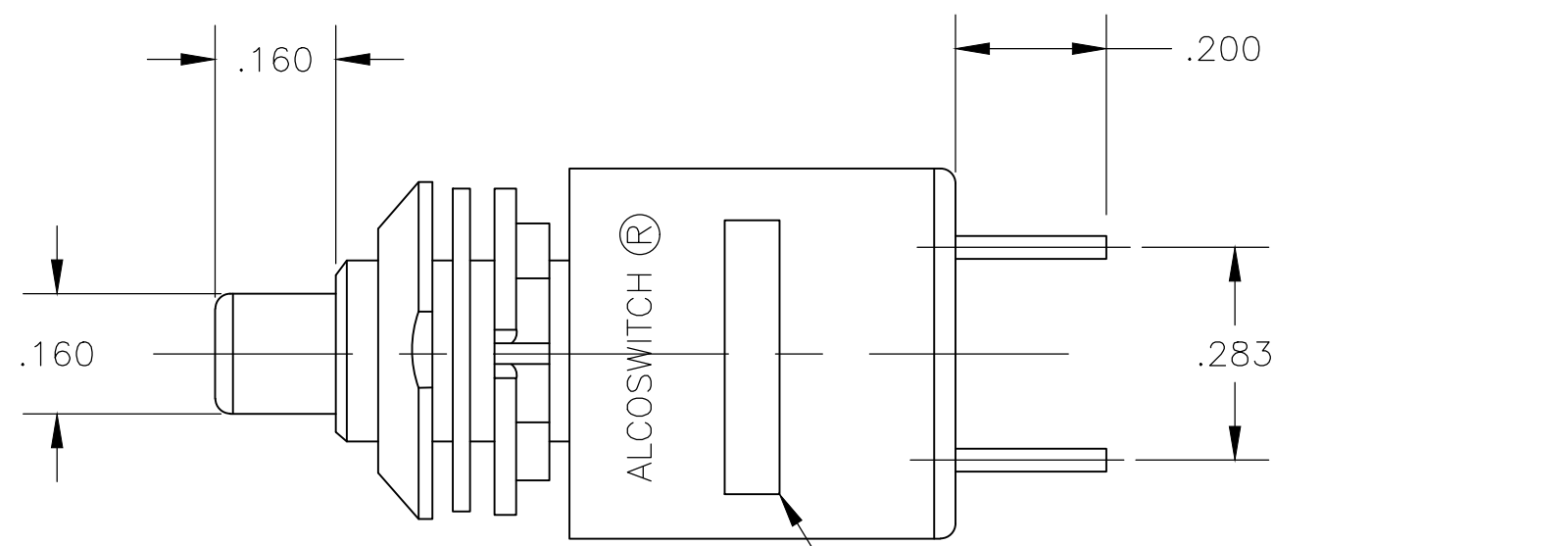
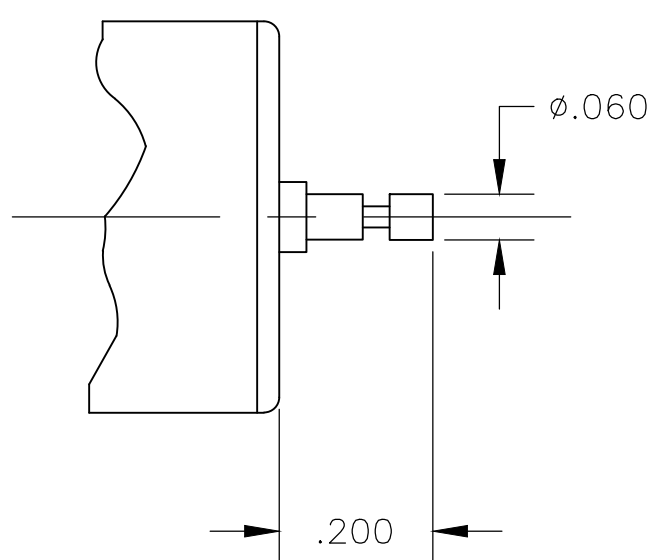


THIS DRAWING IS UNPUBLISHED. RELEASED FOR PUBLICATION  
 © COPYRIGHT - By - ALL RIGHTS RESERVED.

REVISIONS					
P	LTR	DESCRIPTION	DATE	DWN	APVD
	A3	REVISED PER ECO-18-016640	21JAN2019	SR	PO



LUG TERMINAL



PIN TERMINAL OPTION

NOTES:

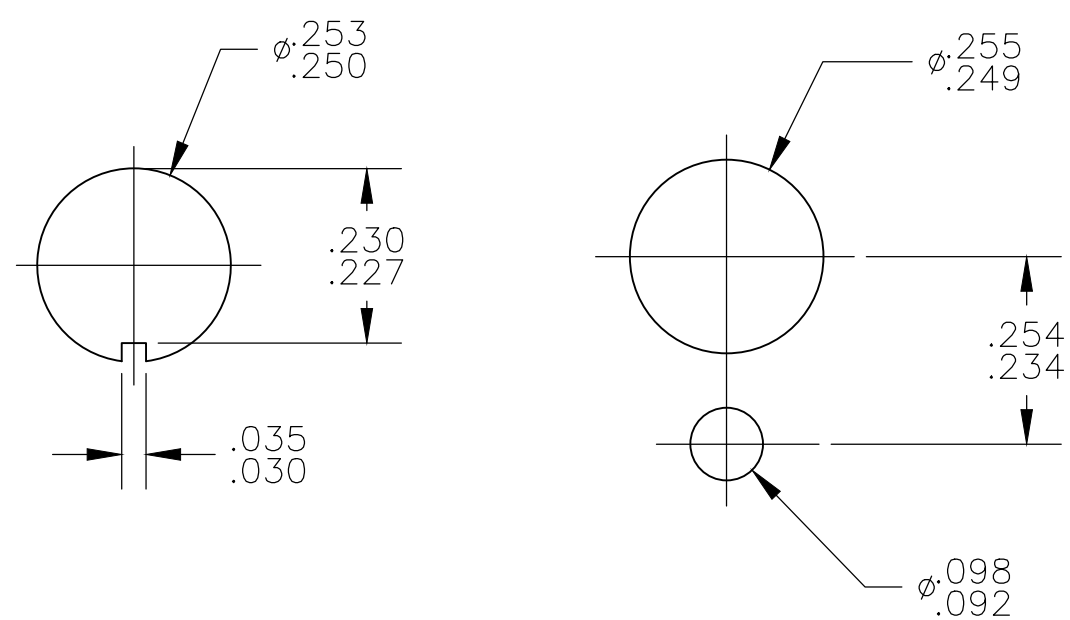
1. TERMINAL NUMBERS ARE FOR REFERENCE ONLY AND DO NOT APPEAR ON SWITCHES.
2. EACH SWITCH SUPPLIED WITH THE FOLLOWING MOUNTING HARDWARE:  
 (1) DECORATIVE NUT  
 (1) HEX NUT  
 (1) INTERNAL TOOTH LOCKWASHER  
 (1) LOCATING RING
3. ALL MATERIALS AND FINISHES SHALL COMPLY WITH EU DIRECTIVE 2002/95/EC OF 27JAN2003 (ROHS).
4. LUG TERMINALS ACCEPT STANDARD .110 QUICK CONNECT RECEPTACLES. PIN TERMINALS USEABLE FOR PCB APPLICATIONS.

	TERMINAL STYLE	CAP COLOR	ACTION	THROWS	POLES	ALCO P/N	P/N
OBSOLETE	LUG	RED	NORMALLY OPEN	1	1	MSPM101CS104	1825539-4
OBSOLETE	PIN	RED	NORMALLY OPEN	1	1	MSPM101CS04	1825539-3
OBSOLETE	LUG	BLACK	NORMALLY CLOSED	1	1	MSPM101BS104	1825539-2
OBSOLETE	PIN	BLACK	NORMALLY CLOSED	1	1	MSPM101BS04	1825539-1

THIS DRAWING IS A CONTROLLED DOCUMENT.		DWN	14OCT92	TE Connectivity Ltd.			
DIMENSIONS: INCHES		CHK	15OCT92				
TOLERANCES UNLESS OTHERWISE SPECIFIED:		APVD	19OCT92				
0 PLC ± - 1 PLC ± - 2 PLC ± - 3 PLC ± .010 4 PLC ± - ANGLES ± 1°		NAME	J.JORDAN				
MATERIAL SEE SPECIFICATIONS		FINISH	SEE SPECIFICATIONS	PRODUCT SPEC	PUSH BUTTON SWITCH, MAGNETIC REED, HERMETICALLY SEALED, AUDIBLE DETENT		
WEIGHT		-		APPLICATION SPEC	-		
CUSTOMER DRAWING		SIZE	A2	SCALE	4:1	CAGE CODE	00779
DRAWING NO		C=1825539		DRAWING NO	1825539		
RESTRICTED TO		-		SHEET	1 OF 2		
REV		A3					

THIS DRAWING IS UNPUBLISHED. RELEASED FOR PUBLICATION  
 © COPYRIGHT - By - ALL RIGHTS RESERVED.

REVISIONS					
P	LTR	DESCRIPTION	DATE	DWN	APVD
-	-	SEE SHEET 1	-	-	-



RECOMMENDED HOLE LAYOUT  
TO PREVENT ROTATION

MATERIALS		
COMPONENT NAME	BASE MATERIAL	FINISH
CASE	STEEL	
ACTUATOR BUTTON	POLYAMIDE, SEE CHART FOR COLOR	
MOVING CONTACT	COPPER ALLOY	GOLD OVER NICKEL
FIXED CONTACT	COPPER ALLOY	GOLD OVER NICKEL
TERMINALS	COPPER ALLOY	TIN OVER NICKEL

SPECIFICATIONS	
RATING	1.0VA OPTIMUM (100mA MAX., 50 VDC MAX.)
INITIAL CONTACT RESISTANCE	100 MILLIOHMS
INSULATION RESISTANCE	1000 MEGOHMS MIN.
DIELECTRIC WITHSTANDING VOLTAGE	1000 VRMS AT SEA LEVEL
DURABILITY	5000000 CYCLES AT .1VA 50000 CYCLES AT 5VA
OPERATING FORCE	TACTILE KEYBOARD FEEL 4 TO 7 OZ. BREAKAWAY REDUCING IMMEDIATELY TO 1.5 OZ. FOLLOW-THROUGH
TRAVEL	.079 +/- .008
OPERATING TEMPERATURE	-10C TO +80C
STORAGE TEMPERATURE	-10C TO +80C

THIS DRAWING IS A CONTROLLED DOCUMENT.		DWN 14OCT92 M.M.	<b>STE</b> TE Connectivity Ltd.
DIMENSIONS: INCHES		CHK 15OCT92 RAY.D	
TOLERANCES UNLESS OTHERWISE SPECIFIED:		APVD 19OCT92 J.JORDAN	NAME PUSH BUTTON SWITCH, MAGNETIC REED, HERMETICALLY SEALED, AUDIBLE DETENT
0 PLC ± - 1 PLC ± - 2 PLC ± - 3 PLC ± .010 4 PLC ± - ANGLES ± 1°		PRODUCT SPEC APPLICATION SPEC	
MATERIAL SEE SPECIFICATIONS	FINISH SEE SPECIFICATIONS	WEIGHT -	SIZE A2 CAGE CODE 00779 DRAWING NO. C=1825539 RESTRICTED TO -
CUSTOMER DRAWING			SCALE 4:1 SHEET 2 OF 2 REV A3